

Product Data sheet

Part no.	Name	Type
1320325	Inko Omega INKO-O BU 25 Polypropyl	INKO-O BU 25

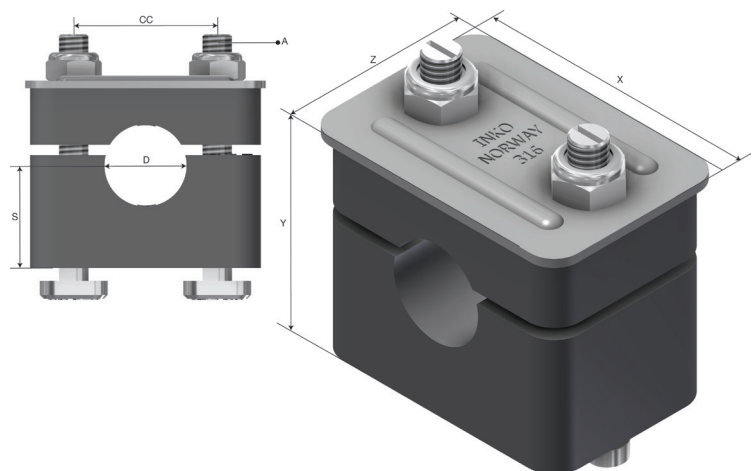
Description: INKO Tubing Clamps to fit lateral slottings on a Cable Tray. The INKO Tubing Clamp is supplied complete in one piece, with no loose parts.



Additional information: The Clamp is made of black, halogen-free and self-extinguishing (grade V0, UL 94) polypropylene and stainless steel. Fire exposure does not lead to emission of toxic gases. Oxygen index (ASTM D 2863): 307%. The material shows good resistance to chemicals. Working temperature range is -20 to +110° C.

Characteristics

Name	Value
Weight (kg)	0.1
S Spacing (mm)	30
CC (mm)	30
A Hole Size (mm)	25
X (mm)	59
Y (mm)	58
Z (mm)	32



Product packaging information

F-PAK GTIN	Single piece	
------------	--------------	--