

Product Data sheet

Part no.	Name	Type
1384097	Flat Elbow 30° OE150 FE-30-300 R600 SS	OE150 FE-30-300 R600

Description: Space saving 30° Flat Elbow with partly integrated splice connectors.

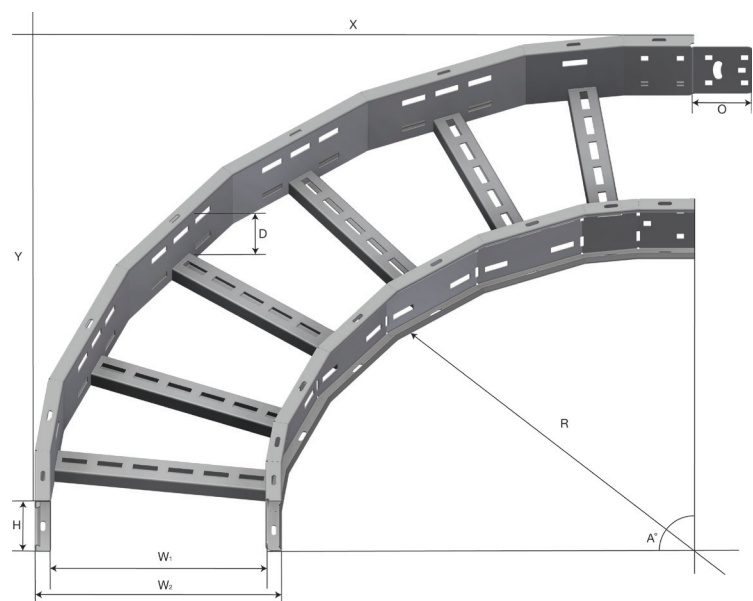
1384097 consists of

Part no.	Name
51921	ELBOW OE150-30-300 R600 SS
1371983	LOCKING BOLT SET S-M M10x20 A4

Additional information: No sharp edges.

Characteristics

Name	Value
Weight (kg)	3.0
T Material Thickness (mm)	1.5
Overlap Integrated Splice (mm)	80
W1 Width 1 (mm)	300
W2 Width 2 (mm)	346
D Loading depth (mm)	125
H Height (mm)	150
A Angle (deg)	30
R Radius (mm)	605
X (mm)	423.3
Y (mm)	460.6



Product packaging information

F-PAK GTIN	Single piece	
------------	--------------	--