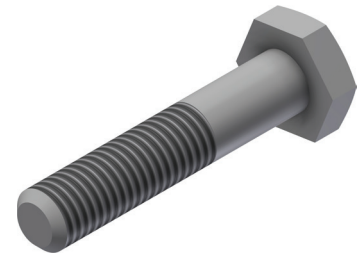


# Product Data sheet

Part no.	Name	Type
1371330	Hexagonal Bolts S-M HE-M10x50 A4	S-M HE-M10x50

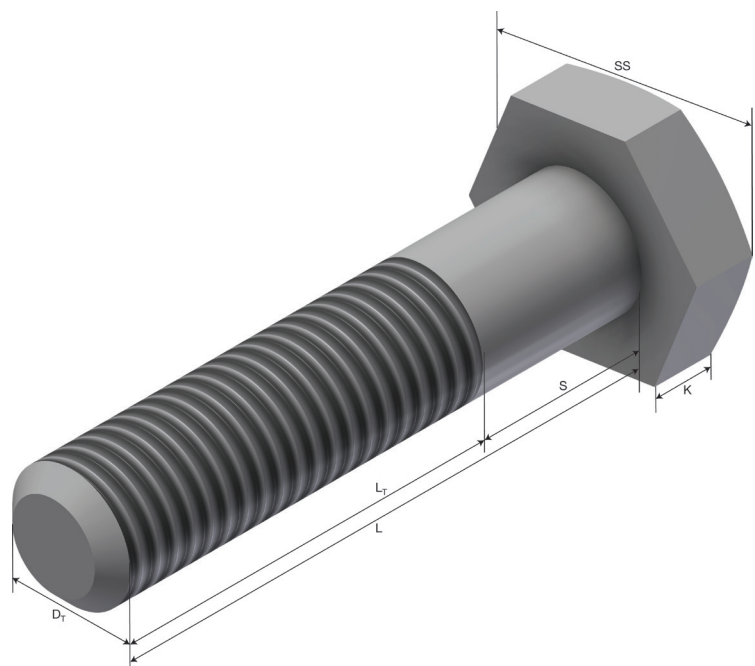
Description: Hexagonal bolt. M10 size.



Additional information: Recommended length of the Bolt for U-21 channels is 25 mm when mounting parts with material thickness 5 mm. Recommended length of the Bolt for U-41 channels is 30 mm when mounting parts with material thickness of 5 mm. Increase the length of the Bolt accordingly when mounting parts with more than 5 mm material thickness. Longer lengths in DIN 931 partly threaded. STD: 100

## Characteristics

Name	Value
Weight (kg)	0.06
Dt Diameter threads (mm)	M10
Lt Length Threads (mm)	50
Spanner Size SS (mm)	17
K Bolt Head Height (mm)	6.4
L Length (mm)	50



## Product packaging information

F-PAK GTIN	Single piece	
------------	--------------	--