

# Product Data sheet

Part no.	Name	Type
1371359	Star Washers S-M SW-M12 PG	S-M SW-M12

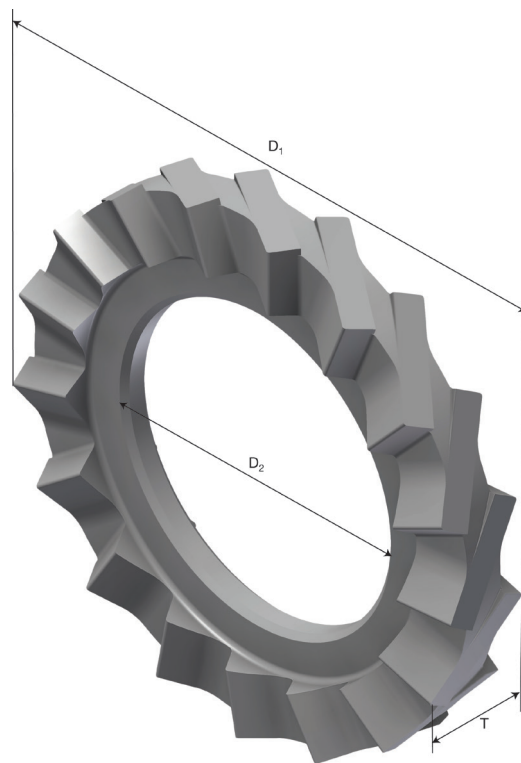
Description: NORSOK requirements prohibit the use of Star Washers for installation of cable trays & ladders, therefore we recommend our A4 self-lock flange nuts.



Additional information: STD: 100

## Characteristics

Name	Value
Weight (kg)	0.0
D1 Diameter (mm)	20.5
D2 Diameter (mm)	12.5
T Material Thickness (mm)	3.0



## Product packaging information

F-PAK GTIN	Single piece	
------------	--------------	--