

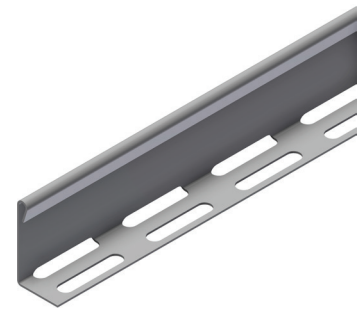
Product Data sheet

| Part no. | Name | Type |
|----------|----------------------|-----------|
| 1371706 | Divider LOE DI-42 SS | LOE DI-42 |

Description: Divider to separate different systems.

1371706 consists of

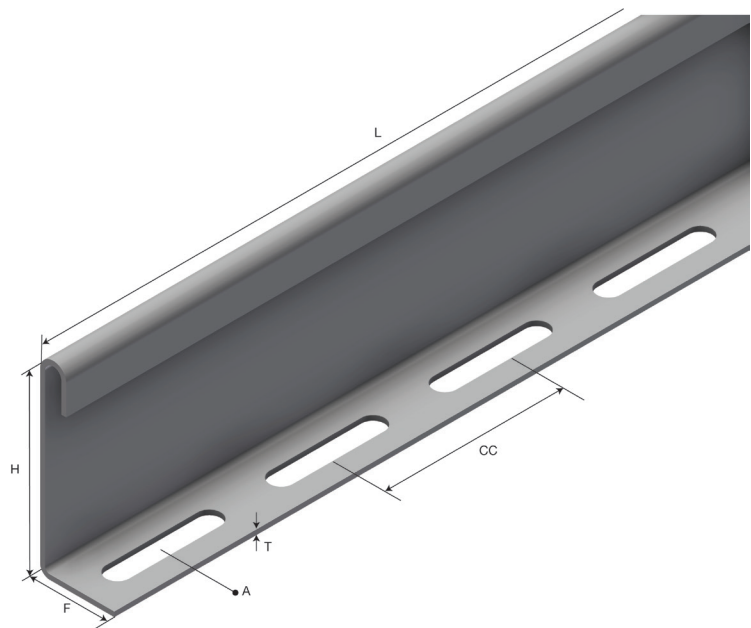
| Part no. | Name |
|----------|-------------------------------|
| 81043 | DIVIDER SPB/LOE-75 SS |
| 1371981 | LOCKING BOLT SET S-M M6x12 A4 |



Additional information: Supplied in 3m length. The design may differ according to illustration.

Characteristics

| Name | Value |
|---------------------------|-------|
| Weight (kg) | 1.6 |
| W Width (mm) | 23 |
| CC (mm) | 50 |
| A Hole Size (mm) | 7x35 |
| T Material Thickness (mm) | 1 |
| L Length (mm) | 3000 |
| H Height (mm) | 42 |



Product packaging information

| | | |
|------------|--------------|--|
| F-PAK GTIN | Single piece | |
|------------|--------------|--|