

Product Data sheet

Part no.	Name	Type
1371856	Cable Protector	A-SPB-RF60 EP

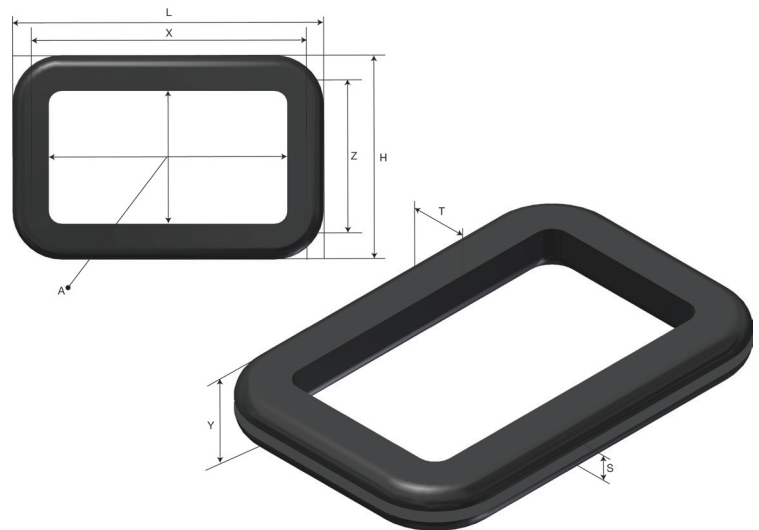


Description: For pulling cables through slottings in the tray. Produced in flame retardent material.

Additional information: For pulling cables through slottings in the tray. Produced in flame retardent material.

Characteristics

Name	Value
Weight (kg)	0.009
S Spacing (mm)	1,6
A Hole Size (mm)	46x26
T Material Thickness (mm)	14
L Length (mm)	60
H Height (mm)	40
X (mm)	50
Y (mm)	6,5
Z (mm)	30



Product packaging information

F-PAK GTIN	Single piece	
------------	--------------	--