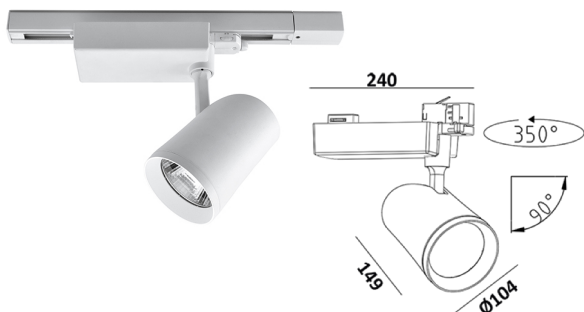


FDV DOKUMENT

ipas™

Optima DIM 29W 3T Hvit
32 355 30 / 453004



Låvedør 32 364 96/453104 32 364 92/453105	Baffel X 32 364 97/453204 32 364 93/453205	Bikube 32 364 98/453304 32 364 94/453305	Baffel O 32 364 99/453404 32 364 95/453405	Reflektor 15° 32 355 99/453044
---	--	--	--	-----------------------------------

Tilbehør: ikke inkludert i pakken bestilles separat

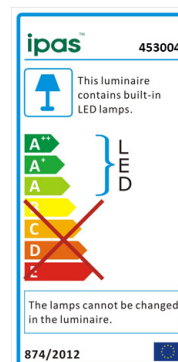
Art nr	El nr	Produktnavn	Å	Lysytelse	DIM	System eff	CRI	Lys farge	IP	Farge
453004	32 355 30	Optima DIM 29W 3T	36°	2485 lm	Triac	29W	>80	3000K	20	Hvit

GLOBAL™

Tekniske data:	25W (System effekt 29W)
Spenning:	220-240VAC 50/60Hz
LED Chip	Sunpu COB LED
Lysytelse:	2485 lm
Lysfarge:	3000K
CRI/Ra:	>80
Strålingsvinkel:	36°
Utbyttbar LED:	Nei
Driftsstrøm:	700mA konstantstrøm
Dimming:	Dimbar GLE
Sertifisert:	CE
Omgivelsestemp:	-20°C +40°C
Materiale:	Aluminium, PC
Farge:	Matt hvit
Montasje:	3-tenning Globalskinner adapter
IP Klasse armaturhus:	IP20
Isolasjonsklasse	Klass I
Levetid	62 000 L80
Produktstørrelse	Ø104x149x240mm
Vekt	1,03 kgs
Antall per eske	1stk Dimensjon: 240x240x125mm Vekt: 1,3 kgs
Antall per ytterkartong	8stk Dimensjon: 500x500x275mm Vekt: 10,5 kgs

Resirkulering/WEEE:

Produktet er definert som miljøavfall og skal samles inn av et EE-returselskap. IPAS er medlem av Renas AS. Se mer på www.renas.no



Rengjøring:

Planmessig rengjøring gir deg best belysning over tid.

Gjør anlegg alltid strømløst før rengjøring.

Det anbefales støvtørking med mikrofiber. Intervaller avhenger av bruksområdets støv-/smusmengde. Unngå sterke kjemikalier (pH>7) og vær varsom med frontlinse eller reflektor hvis denne er tilgjengelig. Ikke spray midler direkte på armatur. Særlig tilsmussede områder kan rengjøres med mildt såpevann, men prøv på et avgrenset område først. LED Driver eller åpne komponenter må ikke utsettes for vann eller fuktighet.

GARANTI: IPAS yter 5 års garanti. Se også ASLEM12 for mer informasjon.



IPAS AS

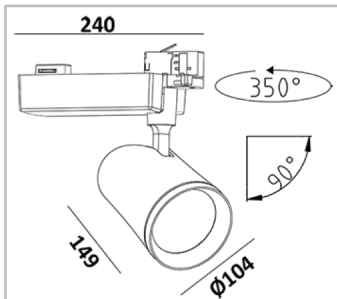
Østre Rosten 2A 7075 TILLER

www.ipas.no post@ipas.no Tlf 40 00 15 59.

V.28.06.2019



Optima DIM 29W



Låvedør
453104/453105



Baffel X
453204/453205



Bikube
453304/453305



Baffel O
453404/453405

Tilbehør: ikke inkludert i pakken bestilles separat

IMPORTANT INFORMATION:

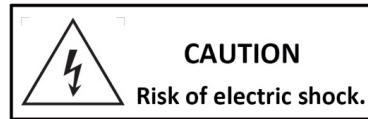
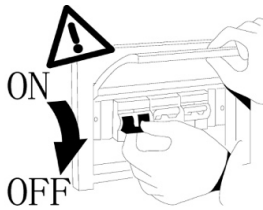
1. Please read this instruction carefully before installation and keep it for future reference.
2. Please conform to the instruction of equipment and installed by professional.
3. Make sure correct voltage applied before use and keep away from heat and vibration source.
4. The light source of this luminaire is not replaceable. When the light source reaches its end of life the whole luminaire shall be replaced.
5. The product is not suitable for any oil pollution ambient or related applications.
6. For indoor use only.

MAIN PARAMETER:

Product	453004	453005	453009
Rated Voltage	AC 220-240V 50/60Hz	AC 220-240V 50/60Hz	AC 220-240V 50/60Hz
LED watt	25W	25W	25W
System eff	29W	29W	29W
LED	Sunpu COB LED	Sunpu COB LED	Sunpu COB LED
LED Driver	Constant Current 700mA	Constant Current 700mA	Constant Current 700mA
Color Temperature	3000K	3000K	3000K
Protection	Class I	Class I	Class I
Beam Angle	36°	36°	36°
IP Rated	IP20	IP20	IP20
Operation Temperature	-30°C <ta<45°C	-30°C <ta<45°C	-30°C <ta<45°C
Product Size	Ø104mmx149mmx240mm	Ø104mmx149mmx240mm	Ø104mmx149mmx240mm

INSTALLATION INSTRUCTIONS:

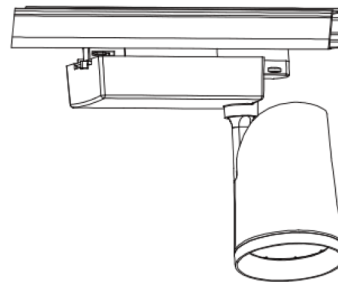
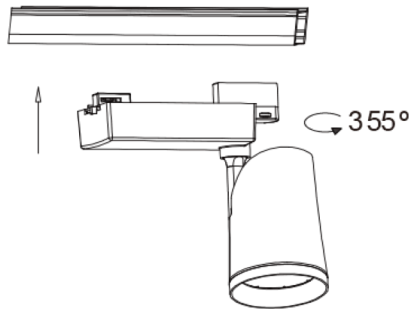
1. Always switch off the power supply before installation.
2. Make sure all parts are ready when open the box and prepare the installation tools the lighting needs.
3. Should be installed by qualified electricians.
4. If there is any damage on the housing or glass cover, should view it as disqualified product that cannot be used.
5. If the external flexible cable or cord of this luminaire is damaged, it shall be exclusively replaced by the manufacturer or his service agent or a similar qualified person in order to avoid a hazard.



Art nr. 453004/453005/453009

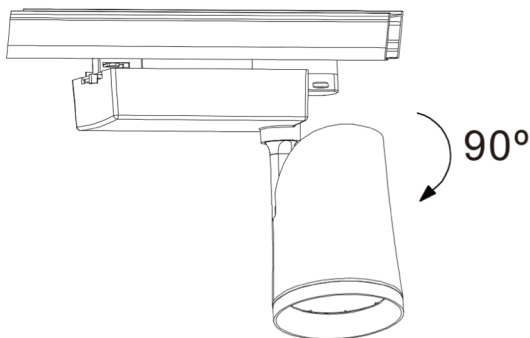
INSTALLATION STEPS:

1. When installing the spotlight into track, ensure that the Polarity indicator is on the same side as the Polarity line on the track. These track spotlights will only fit into the track one way. When the spotlight is in position on the track, turn the locking lever to point along the length of the track to lock the spotlight in position.

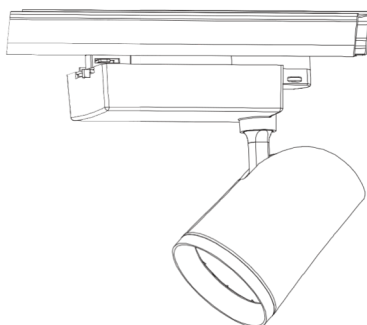


on 1,2,3

2. Ensure that when installed, the spotlights are not in an obtrusive position or in a position where they may be knocked or damaged.



3. Once the spotlight has been positioned switch on the mains power supply.



Optima DIM 3T

Please note:

Beam angle 40° is pre-installed.

Available reflector for beam angle 15°(not included-purchase separately)

- 451044 15° reflector for 10W
- 453044 15° reflector for 30W

Steps of changing 451044 15° reflector for 10W

1. Prepare the demanded reflector
2. Take out the pre-installed reflector carefully from the front ring
3. Put the demanded reflector into the front ring



4. Turn the decorative front ring back



5. Luminaire is ready to use



Steps of changing 453044 15° reflector for 30W

1. Prepare the demanded reflector. A screwdriver is required.
2. Twist to remove front ring and reflector carefully. Pay attention not to scratch the COB LED
3. Loose hinge to remove pre-assembled reflector by using screwdriver. Adapt with demanded reflector then lock the hinge. Make sure the replaced reflector is secured on front ring.



4. Put the decorative front ring back

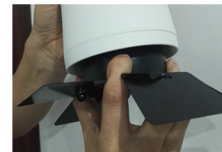


5. Luminaire is ready to use.



Steps of adding accessory (Lavedor)

1. Prepare the accessory
2. Slightly push Barn Door into front ring and make sure it is securely fixed.
3. Luminaire is ready to use



Steps of adding accessory (Baffle and Bikube)

1. Twist to remove front ring. Take out the reflector and glass diffuser
2. Put the requested accessory into front ring
3. Relocate reflector and glass diffuser back to front ring and secure by locking hinge



4. Twist front ring back to luminaire by clockwise and make sure it is securely locked

