

FDV RGB Power Repeater

El nr	14 651 17
Article nr	391320
EAN	7090015376590



Tekniske data

Input voltage	12-36VDC
Output current	4CH, 5A/CH
Output power	240-720W
Output type	Constant voltage
Levetid	30 000 timer

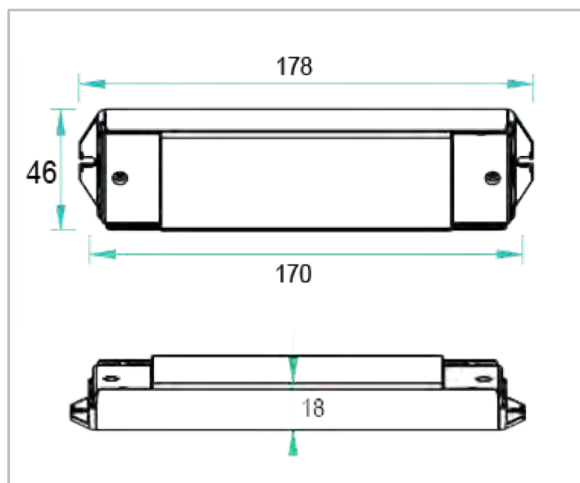


Dimmetype

Type	
------	--

Beskyttelse

Isolasjonsklasse	
IP-grad	IP20



Materialer og overflater

Armaturhus	Plastic
Farge	Hvit

Dimensjoner (mm)

Lengde (L)	170 mm
Bredde (W)	46 mm
Høyde (H)	18 mm
Vekt	0,40 kgs

Energi og godkjenning

Godkjenning	CE, RoHS
-------------	----------

Montering/Tilkobling

Montering	Innfelling
Kobling	Skrueklemme

Forpakning

Eske dimensjon	172x48x20 mm
Eske Vekt	0,42 kgs
Kartong Dimensjon	330x250x260 mm
Antall/Kartong	50 stk
Kartong Vekt	21 kgs

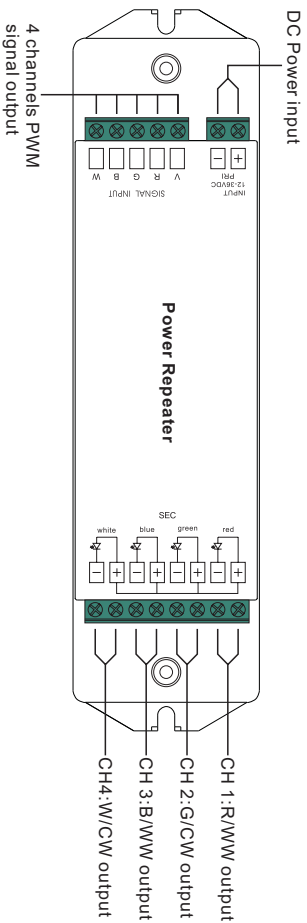
Power Repeater / Amplifier

09.03001.04236



Important: Read All Instructions Prior to Installation

Function introduction



Product Data

No.	Input Voltage	Output Current	Output Power	Remarks	Size(LxWxH)
1	12-36VDC	4x5A	4x(60-180)W	Constant voltage	178x46x22mm
2	12-36VDC	4x300mA	4x(3.6-10.8)W	Constant current	178x46x22mm
3	12-36VDC	4x350mA	4x(4.2-12.6)W	Constant current	178x46x22mm
4	12-36VDC	4x700mA	4x(8.4-25.2)W	Constant current	178x46x22mm

- Repeater dimming signal
- One channel/three channel/four channel optional
- Constant voltage/constant current
- Power repeater in series to expand output unlimitedly
- Waterproof grade: IP20

Safety & Warnings

- DO NOT install with power applied to device.
- DO NOT expose the device to moisture.

Operation

LED power repeater is suitable for all of our single color & RGB controllers to expand power output, it supports PWM control and can connect one to three times more LEDs by adding one more power repeater, and unlimited power repeaters can be connected together theoretically.

The constant voltage power repeater and constant current power repeaters can be connected together, which is convenient for controlling LEDs with different voltage and power.

Wiring diagram

