

FDV

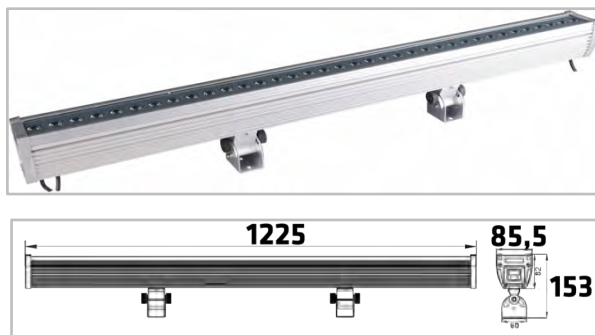
Fasade NG 65W 1225mm RGB

El nr	32 560 72
Article nr	617236
EAN	7090015371793



Lysteknikk

Type lyskilde	LED (CREE XPE LED)
Spenning	230VAC 50/60Hz
Watt	36x3W RGB
Systemeffekt (W)	65W
Effektiv lysstrøm (lm)	1266lm
Effekt	20lm/W
Fargetemperatur	RGB
Fargegjengivelse (CRI)	Ra>80
MacAdams faktor	SDCM<3
Levetid	62000 L80
Lysspredning	20°



Dimmetype

Type	DMX
------	-----

Beskyttelse

Isolasjonsklasse	Klasse I
IP-grad (armaturhus)	IP65
IP-grad (driver)	IP67

Materialer og overflater

Armaturhus	Aluminium alloy 6063
Farge	Sølvgrå
Optikk	Glass

Energi og godkjenning

Energiklasse	A-A+
Godkjenning	CE
Safety standard	EN 55015:2013, EN 61547:2009, EN 61000-3-2:2006+A1:2009+A2:2009, EN61000-3-3:2013

Montering/Tilkobling

Montering	Utenpåliggende, Utendørs
Kabling	1,65m ledning med Euro plugg

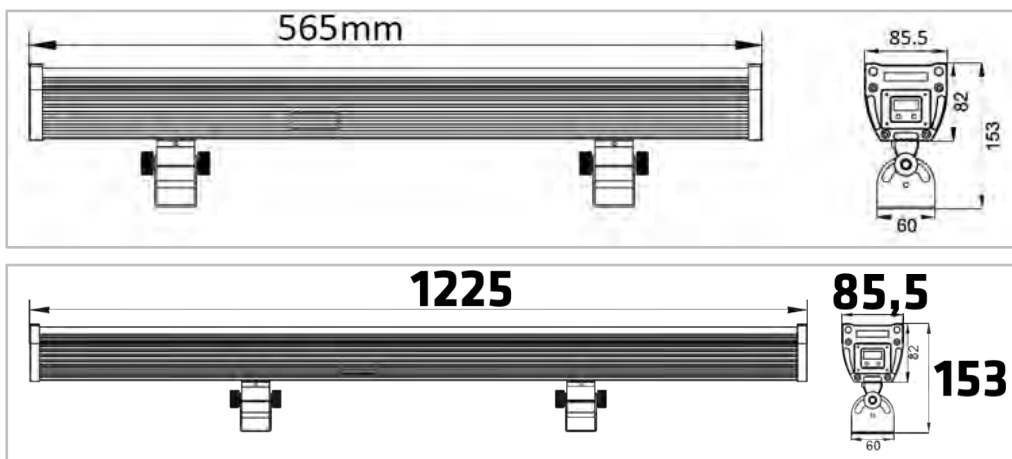
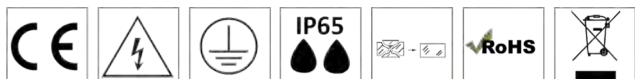
Dimensjoner (mm)

Lengde (L)	1225 mm
Høyde (H)	153 mm
Bredde (W)	85,5 mm
Vekt	6 kgs

Forpakning

Eske dimensjon	1295x140x170 mm
Eske Vekt	8,75 kgs
Kartong Dimensjon	1315x305x370 mm
Antall/Kartong	4 stk
Kartong Vekt	35 kgs

Fasade NG



IMPORTANT INFORMATION:

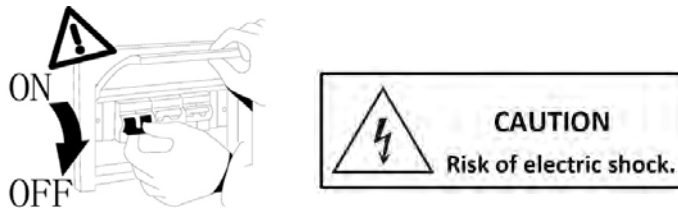
1. Please read this instruction carefully before installation and keep it for future reference.
2. Please conform to the instruction of equipment and installed by professional.
3. Make sure correct voltage applied before use and keep away from heat and vibration source.
4. The light source of this luminaire is not replaceable. When the light source reaches its end of life the whole luminaire shall be replaced.
5. The product is not suitable for any oil pollution ambient or related applications.
6. For indoor and outdoor use.

MAIN PARAMETER:

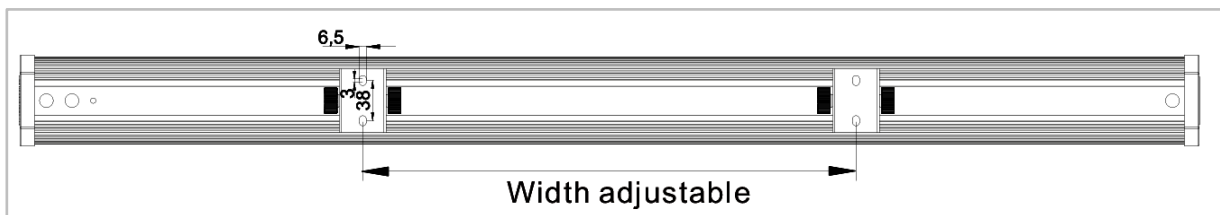
Product	615454	617054	617236
Rated Voltage	AC 220-240V 50/60Hz	AC 220-240V 50/60Hz	AC 220-240V 50/60Hz
LED watt	18x3W	36x3W	36x3W RGB
System eff	35W	65W	65W
LED	CREE-XPE LED	CREE-XPE LED	CREE-XPE LED
LED Driver	Constant Voltage 24VDC	Constant Voltage 24VDC	Constant Voltage 24VDC
Color Temperature	4000K	4000K	RGB
Protection	Class I	Class I	Class I
Beam Angle	20°	20°	20°
IP Rated	IP65	IP65	IP65
Operation Temperature	-25°C <ta<50°C	-25°C <ta<50°C	-25°C <ta<50°C
Product Size	565mmx85,5mmx153mm	1225mmx85,5mmx153mm	1225mmx85,5mmx153mm

INSTALLATION INSTRUCTIONS:

1. Always switch off the power supply before installation.
2. Make sure all parts are ready when open the box and prepare the installation tools the lighting needs.
3. Should be installed by qualified electricians.
4. If there is any damage on the housing or glass cover, should view it as disqualified product that cannot be used.
5. If the external flexible cable or cord of this luminaire is damaged, it shall be exclusively replaced by the manufacturer or his service agent or a similar qualified person in order to avoid a hazard.



INSTALLATION DRAWING:



WATERPROOF TREATMENT:

CAUTION

1. Connector

2. without connector

3. Cut the wire

Shrink tube-1
D: 20mm

Step 1

The tape should seal the shrink tube-1 very well on each side

Waterproof tape
(Auto-Adhesive)

Step 2

The shrink tube-2 should cover tape totally for sunshine-protection

Shrink tube-2
D: 25mm

Step 3

***Neglect on action of the above treatment will lead to failure of waterproof and proper work of the lights!!!

***Water can be sucked into the fixture via interior pipe of the cables after light is switched off, due to minus pressure!!!

CAUTION

*** Power connector should be treated in the same way if available!!!

*** IP68 connector does not require above treatment, but you connect a threaded twist quite well to prevent operational errors lead to joint water

IPAS AS | Østre Rosten 2A N-7075 Tiller Norway
 Tel: +47 40 00 15 59 | Email: post@ipas.no | www.ipas.no

Fasade_NG_Manual_V20191213