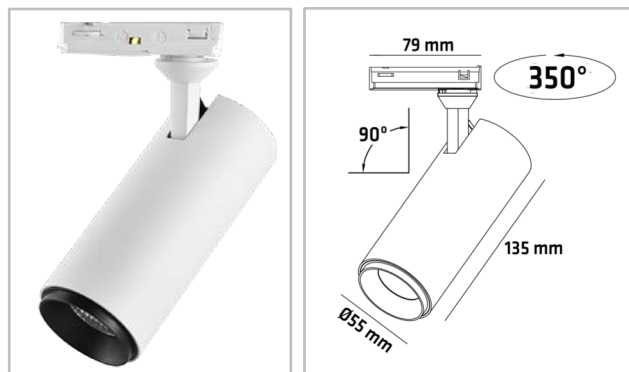


El nr	32 355 10
Article nr	451004
EAN	7090015375845



Lysteknikk

Type lyskilde	COB LED (Sunpu)
Spenning	230VAC 50/60Hz
Watt	9,36W
Systemeffekt (W)	11W
Effektiv lysstrøm (lm)	817lm
Effekt	74lm/W
Fargetemperatur	3000K
Fargegjengivelse (CRI)	Ra>80
MacAdams faktor	SDCM<3
Levetid	62 000 L80
Lysspredning	36°



Dimmetype

Type	Dimbar faseavsnitt
------	--------------------

Beskyttelse

Isolasjonsklasse	Klasse I
IP-grad (armaturhus)	IP20

Materialer og overflater

Armaturhus	Aluminium die-casting
Farge	Matt hvit (RAL9010)

Energi og godkjenning

Energiklasse	A-A+
Godkjenning	CE
Safety standard	EN 60598-2-1:1989, EN 60598-1:2015

Montering/Tilkobling

Montering	Utenpåliggende
Kobling	1 tenning

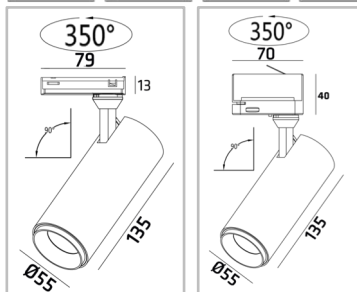
Dimensjoner (mm)

Lengde (L)	135 mm
Diameter (D)	Ø55 mm
Høyde (H)	
Vekt	0,42 kgs

Forpakning

Eske dimensjon	145x85x65 mm
Eske Vekt	0,45 kgs
Kartong Dimensjon	495x240x405 mm
Antall/Kartong	20 stk
Kartong Vekt	10,6 kgs

Optima DIM 11W



IMPORTANT INFORMATION:

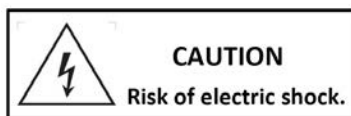
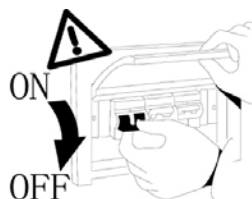
1. Please read this instruction carefully before installation and keep it for future reference.
2. Please conform to the instruction of equipment and installed by professional.
3. Make sure correct voltage applied before use and keep away from heat and vibration source.
4. The light source of this luminaire is not replaceable. When the light source reaches its end of life the whole luminaire shall be replaced.
5. The product is not suitable for any oil pollution ambient or related applications.
6. For indoor use only.

MAIN PARAMETER:

Product	451004/451005	451014/451015
Rated Voltage	AC 220-240V 50/60Hz	AC 220-240V 50/60Hz
LED watt	9,36W	9,36W
System eff	11W	11W
LED	Sunpu COB LED	Sunpu COB LED
LED Driver	Constant Current 260mA	Constant Current 260mA
Color Temperature	3000K	3000K
Protection	Class I	Class I
Beam Angle	36°	36°
IP Rated	IP20	IP20
Operation Temperature	-30°C <ta<45°C	-30°C <ta<45°C
Product Size	Ø55mmx135mmx79mm	Ø55mmx135mmx70mm

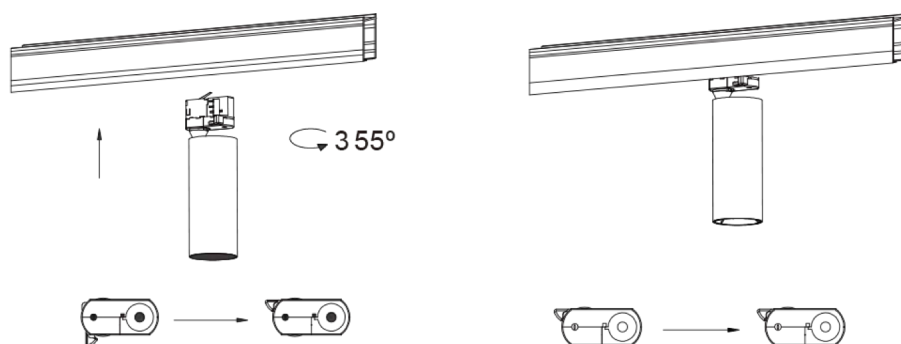
INSTALLATION INSTRUCTIONS:

1. Always switch off the power supply before installation.
2. Make sure all parts are ready when open the box and prepare the installation tools the lighting needs.
3. Should be installed by qualified electricians.
4. If there is any damage on the housing or glass cover, should view it as disqualified product that cannot be used.
5. If the external flexible cable or cord of this luminaire is damaged, it shall be exclusively replaced by the manufacturer or his service agent or a similar qualified person in order to avoid a hazard.



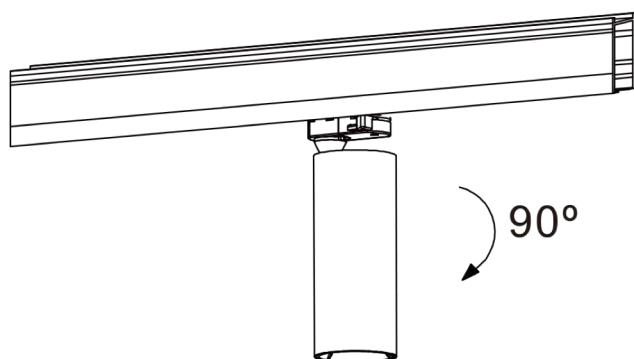
INSTALLATION STEPS:

1. When installing the spotlight into track, ensure that the Polarity indicator is on the same side as the Polarity line on the track. These track spotlights will only fit into the track one way. When the spotlight is in position on the track, turn the locking lever to point along the length of the track to lock the spotlight in position.



on 1,2,3

2. Ensure that when installed, the spotlights are not in an obtrusive position or in a position where they may be knocked or damaged.



3. Once the spotlight has been positioned switch on the mains power supply.

