

FDV

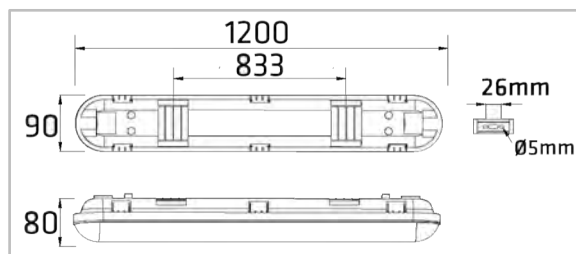
Dense NG 40W 1200mm Nødllys

El nr	33 841 41
Article nr	354189
EAN	7090015371977



Lysteknikk

Type lyskilde	SMD LED
Spenning	230VAC 50/60Hz
Watt	36W
Systemeffekt (W)	40W
Effektiv lysstrøm (lm)	5000lm
Effekt	125lm/W
Fargetemperatur	4000K
Fargegjengivelse (CRI)	Ra>80
MacAdams faktor	SDCM<3
Levetid	92000 L80
Lysspredning	120°



Dimmetype

Type	Nødllys
------	---------

Beskyttelse

Isolasjonsklasse	Klasse I
IP-grad (armaturhus)	IP66
IK-grad	IK09

Materialer og overflater

Armaturhus	PC
Farge	Grå/Opal

Energi og godkjenning

Energi klasse	A-A+
Godkjenning	CE
Safety standard	EN 60598-2-1:1989, EN 60598-1:2015

Montering/Tilkobling

Montering	Utenpåliggende
Kobling	Hurtigklemme

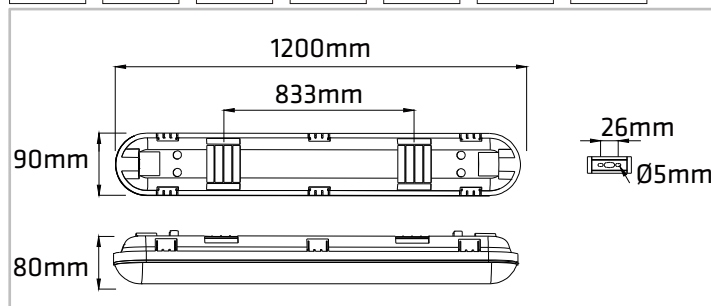
Dimensjoner (mm)

Lengde (L)	1200 mm
Høyde (H)	80 mm
Bredde (W)	90 mm
Vekt	2,12 kgs

Forpakning

Eske dimensjon	1215x130x95 mm
Eske Vekt	2,55 kgs
Kartong Dimensjon	1220x310x300 mm
Antall/Kartong	9 stk
Kartong Vekt	23,00 kgs

Dense NG Emergency



IMPORTANT INFORMATION:

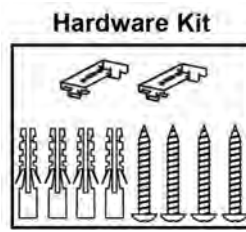
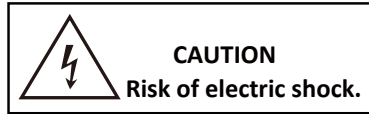
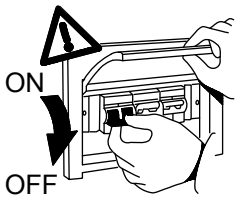
1. Please read this instruction carefully before installation and keep it for future reference.
2. Please conform to the instruction of equipment and installed by professional.
3. Make sure correct voltage applied before use and keep away from heat and vibration source.
4. The light source of this luminaire is not replaceable. When the light source reaches its end of life the whole luminaire shall be replaced.
5. The product is not suitable for any oil pollution ambient or related applications.
6. For indoor and outdoor use under shelter.

MAIN PARAMETER:

Product	354189	Power (W)	Lumens	Emergency time
Rated Voltage	AC 220-240V 50/60Hz	6W	780lm	>1,5h
LED watt	36W	Battery type		
System eff	40W	NI-CD 12V/1300mAH		
LED	Runlite SMD 2835 LED	Emergency Power		
LED Driver	Constant Current 1000mA	6W		
Color Temperature	4000K	Charge Power		
Protection	Class I	2,5W		
Beam Angle	120°	Current Capacity		
IP Rated	IP66	1300mAH		
Operation Temperature	-40°C <ta<50°C	Input voltage		
Product Size	1200mmx90mmx80mm	200-240V AC 50/60Hz		
		Charge time		
		24H		
		Discharge time		
		1,5H		
		Lifetime		
		500 times cycle		
		Operation temperature		
		-10 C + 55 C		
		Storage temperature		
		-10 C + 60 C		

INSTALLATION INSTRUCTIONS:

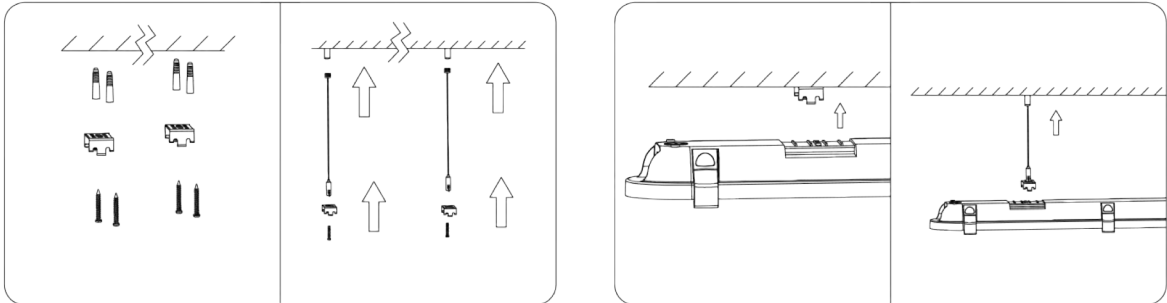
1. Always switch off the power supply before installation.
2. Make sure all parts are ready when open the box and prepare the installation tools the lighting needs.
3. Should be installed by qualified electricians.
4. If there is any damage on the housing or glass cover, should view it as disqualified product that cannot be used.
5. If the external flexible cable or cord of this luminaire is damaged, it shall be exclusively replaced by the manufacturer or his service agent or a similar qualified person in order to avoid a hazard.



Art nr. 354189

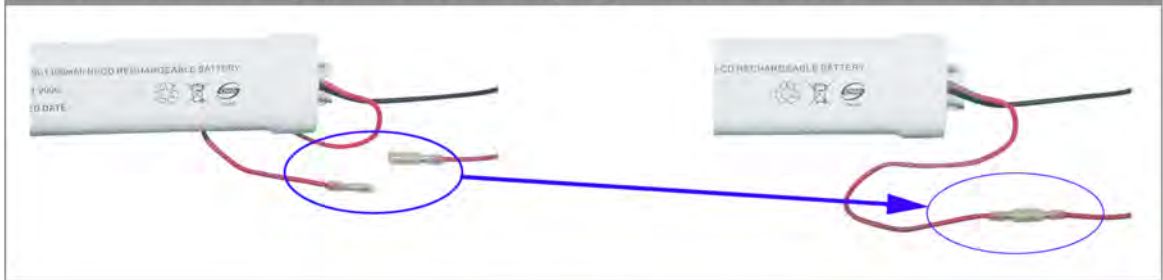
INSTALLATION STEPS:

1. Select the required position for the luminaire.



IMPORTANT:

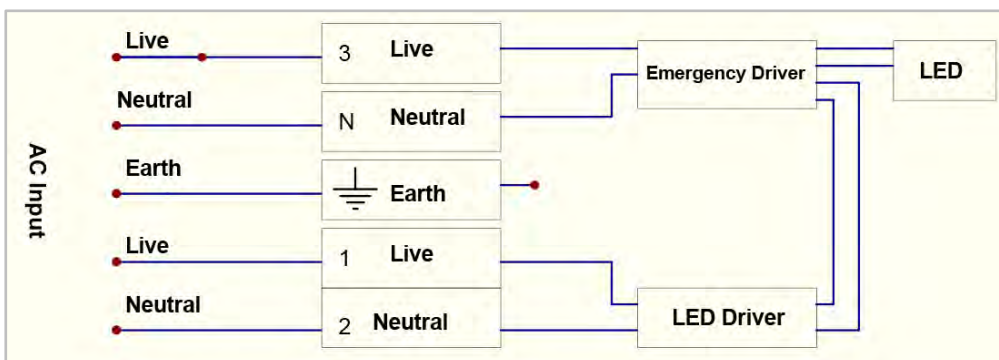
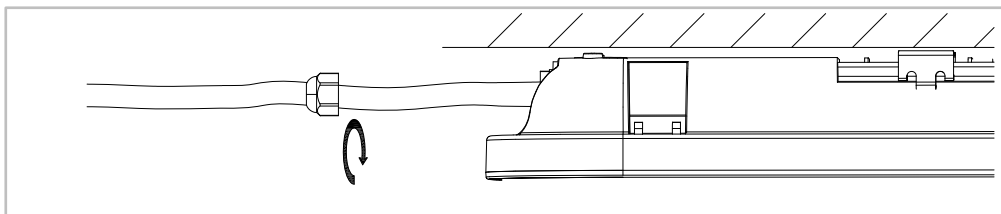
Battery is delivered unplugged from driver to remain fresh during storage. Before connecting to main power, plug the connector as illustrated.



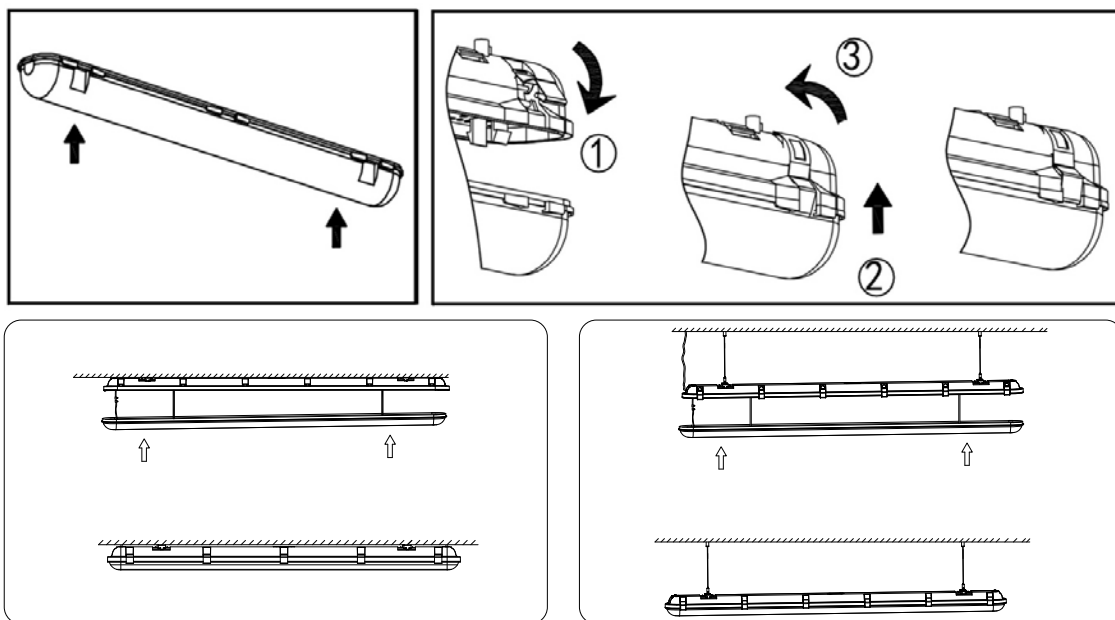
2. Connect power supply to the quick release terminal.

- Mains supply LIVE (Brown) - L
- Mains supply NEUTRAL (Blue) - N
- Mains supply EARTH (Yellow/Green) - E

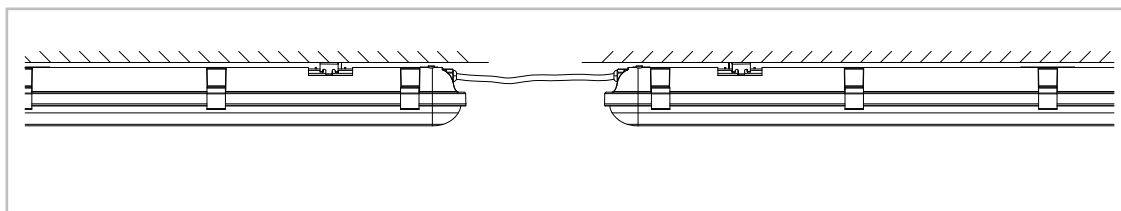
IMPORTANT: The luminaire is Class I and must be earthed.



3. Mount the PC diffuser by locking it back to luminaire base and make sure it is securely located.



4. Switch on the power supply.



Emergency Setting Options:

Emergency lights are with NI-CD batteries. 1,5 hours emergency back-up duration in 20% brightness (6W).

1. Push down red button for self-test function and emergency lights will be on once power supply is on.
2. All indicators will be off when emergency that power supply is cut.
3. Green indicator is always on when power supply is on.

Emergency indicator –

- Green light on – main power on
- Red light on – battery on charging
- Yellow light on – malfunction

