



Data subject to change without notice. Always confirm the data is correct from the seller.

KSM 425U

KSM Side operated polycarbonate switches 16A & 25A

- Easy to install
- IP67
- Fully rated Load Break Switch
- Good resistance against UV and many

chemicals

- Membrane gasket cable entries as standard with strain relief 2 x 20 mm on the top, 2 x 20 mm on the bottom and 2 x 15 mm on the base
- Possible to install M20 cable glands
- Wall mounting with membrane gaskets
- Wall mounting dimensions: 62,0 x 90,0 mm
- Large cable terminals 1,5 – 16 mm²
- Padlockable handle to OFF-position
- Handle sealable to ON-position
- Enclosure can be sealed to any position
- Available 2, 3, 4P and 3P with auxiliary contact (S)
- Large 1,5 – 16 mm² neutral and earth terminals on 3P switch, earth on 2P and 4P switches

KSM Installation guide video >>

Technical datasheet >>

Accessories



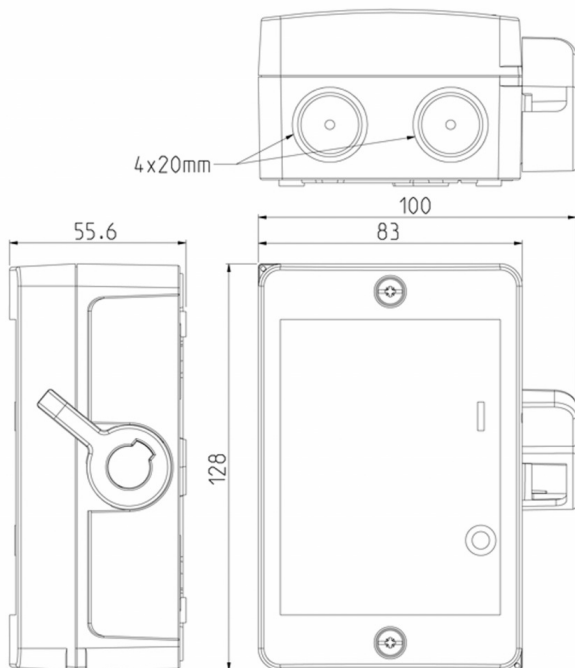
PRODUCT CARD

MORE INFORMATION

PRODUCT DETAILS

SKU	KSM 425U
AC-23 400/415 V (A/kW)	25 A / 11 kW
Cable Area to Switch Terminal (mm²) / Bolt size	1.5-16
Color	Standard
EAN	6419410328408
Enclosure	U1
Enclosure Type	Polycarbonate
IP Rating	67
Number of Poles	4
Operation	Side-operated
Switch type	Load Break Switch
Weight (kg)	0.28

DIMENSIONAL DRAWING





KATKO Oy
Ruosilantie 2
00390 Helsinki, Finland
E-mail: info(at)katko.com
Tel: +358 (0)9 849 600

NEWSLETTER

Email

SEND »

[LinkedIn](#) | [YouTube](#)

DOWNLOADS →

[Terms & Conditions](#)