



Data subject to change without notice. Always confirm the data is correct from the seller.

KER 363

KER Stainless Steel 16-1600A

- IP66; Enclosure types H23, H32, H02 (AISI 316, acid proof)
- IP65; Enclosure types H03, H04, H06, H07, H08 (AISI 304 as standard, AISI 316 upon request)

- Where hygiene and good protection against corrosion are required
- Padlockable with three locks
- Door interlock with defeat mechanism
- Tested according to IEC 60947-3
- Also available as EMC, and EMC/EX - protected
- **Note!** Al-cables cannot be connected directly to switch terminals. For Al-cable connection please use a bi-metal cable connector, **available here**.

Technical datasheet >>

Accessories



PRODUCT CARD

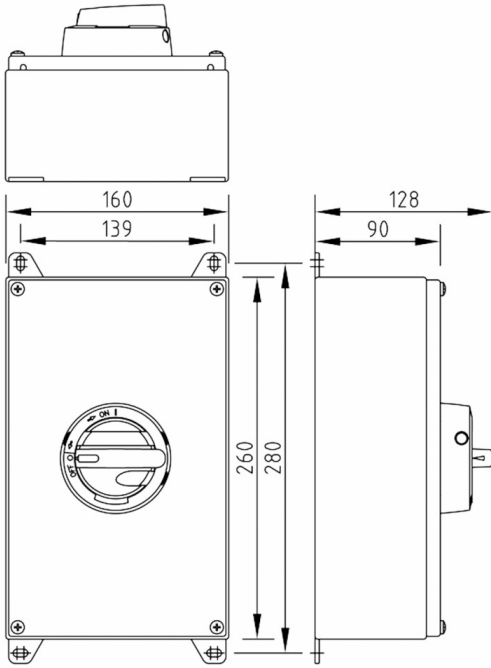
MORE INFORMATION

PRODUCT DETAILS

SKU	KER 363
AC-21 400/415 V (A)	80 A
AC-21 690 V (A)	80 A

AC-22 400/415 V (A)	63 A
AC-22 690 V (A)	63 A
AC-23 400/415 V (A/kW)	40 A / 22 kW
AC-23 690 V (A/kW)	40 A / 37 kW
Cable Area to Switch Terminal (mm²) / Bolt size	2.5-35
Color	Standard
EAN	6419410343562
Enclosure	H32
Enclosure Type	Stainless Steel: Polycarbonate Handle
IP Rating	66
Number of Poles	3
Operation	Front-operated
Switch type	Load Break Switch
Weight (kg)	2.3

DIMENSIONAL DRAWING



KATKO Oy
Ruosilantie 2
00390 Helsinki, Finland
E-mail: info(at)katko.com
Tel: +358 (0)9 849 600

NEWSLETTER

Email

SEND »

[LinkedIn](#) | [YouTube](#)

DOWNLOADS →

[Terms & Conditions](#)