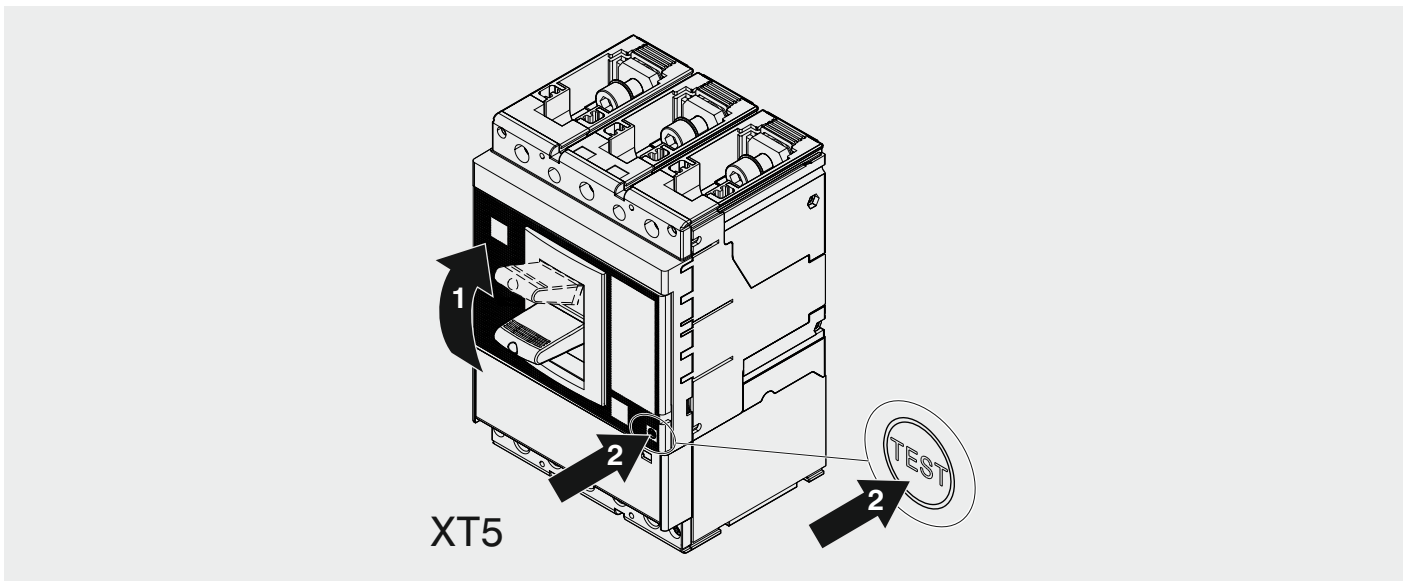
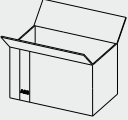
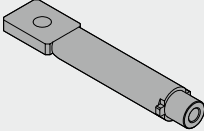
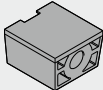
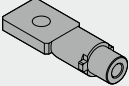
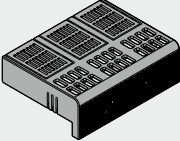
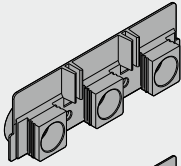
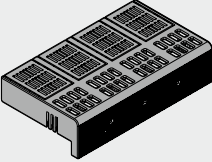
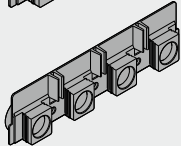



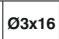


SACE Tmax XT

- R - Terminali posteriori orientabili XT5 fisso
- R - Adjustable rear terminals XT5 fixed
- R - Rückseitige drehbare Anschlüsse XT5, fest
- R - Prises arrière orientables XT5 fixe
- R - Terminales posteriores orientables XT5 fijo
- R - 可調節的後端子XT5固定

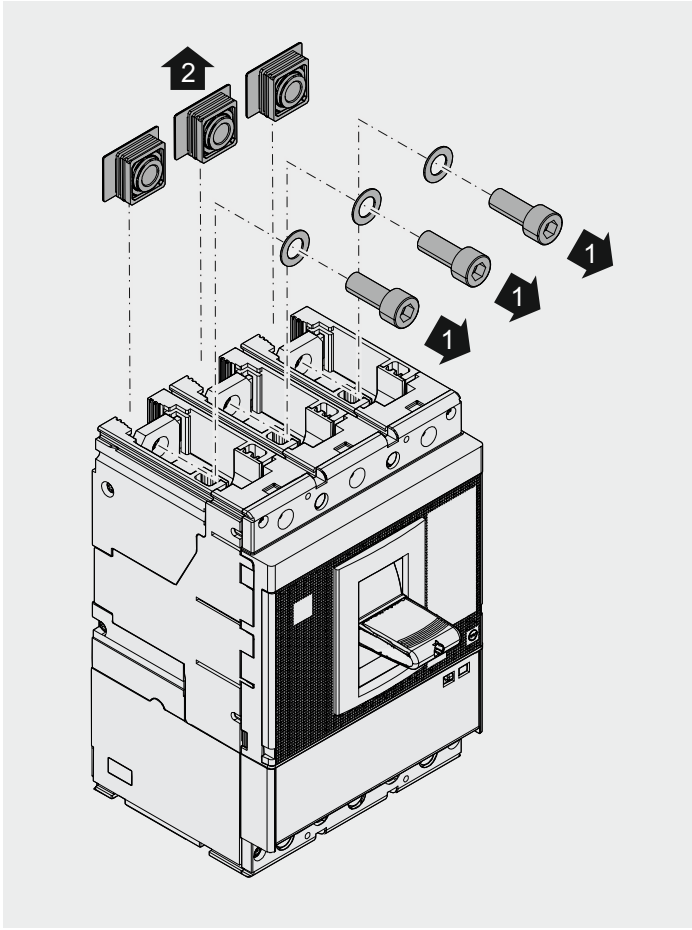
XT5



	3p	4p		3p	4p
					
A 	1	2	E 	3	4
B 	2	2	F 	1	/
C 	1	/	G 	/	1
D 	/	1	H    	2	2

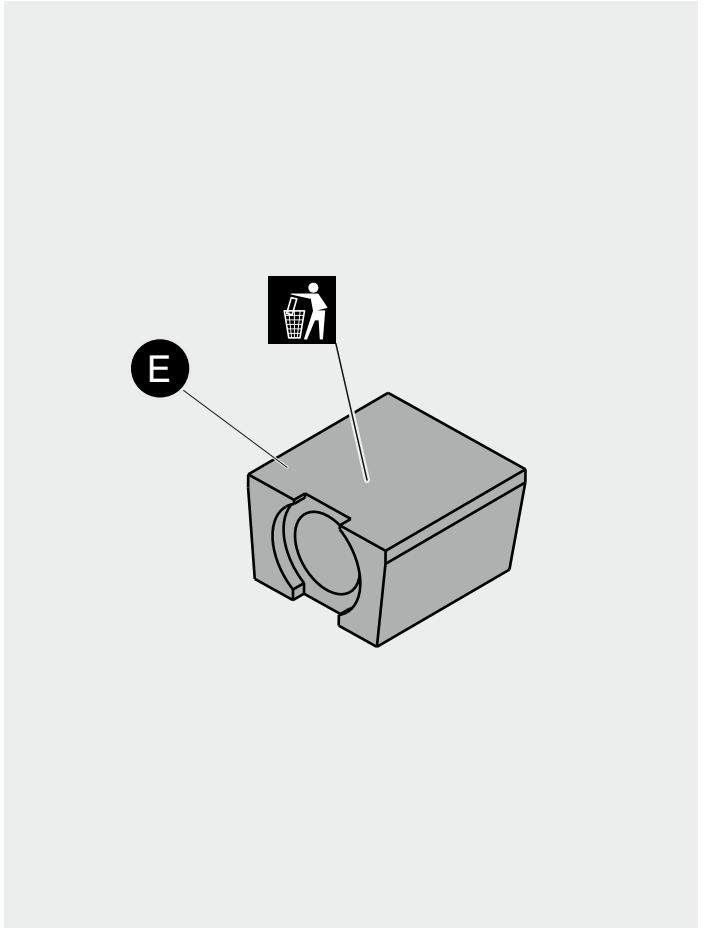
1

Example with 3p



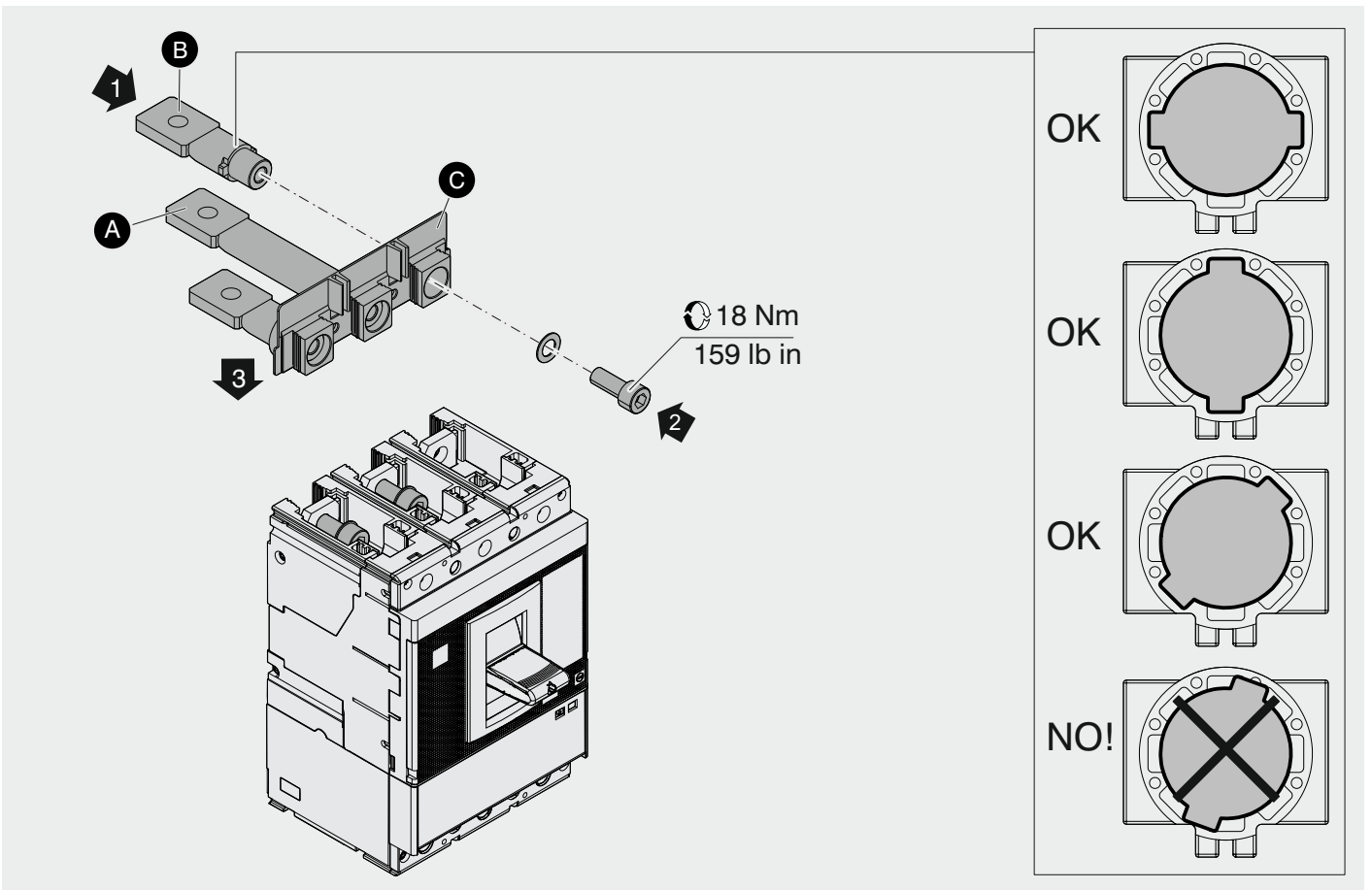
2

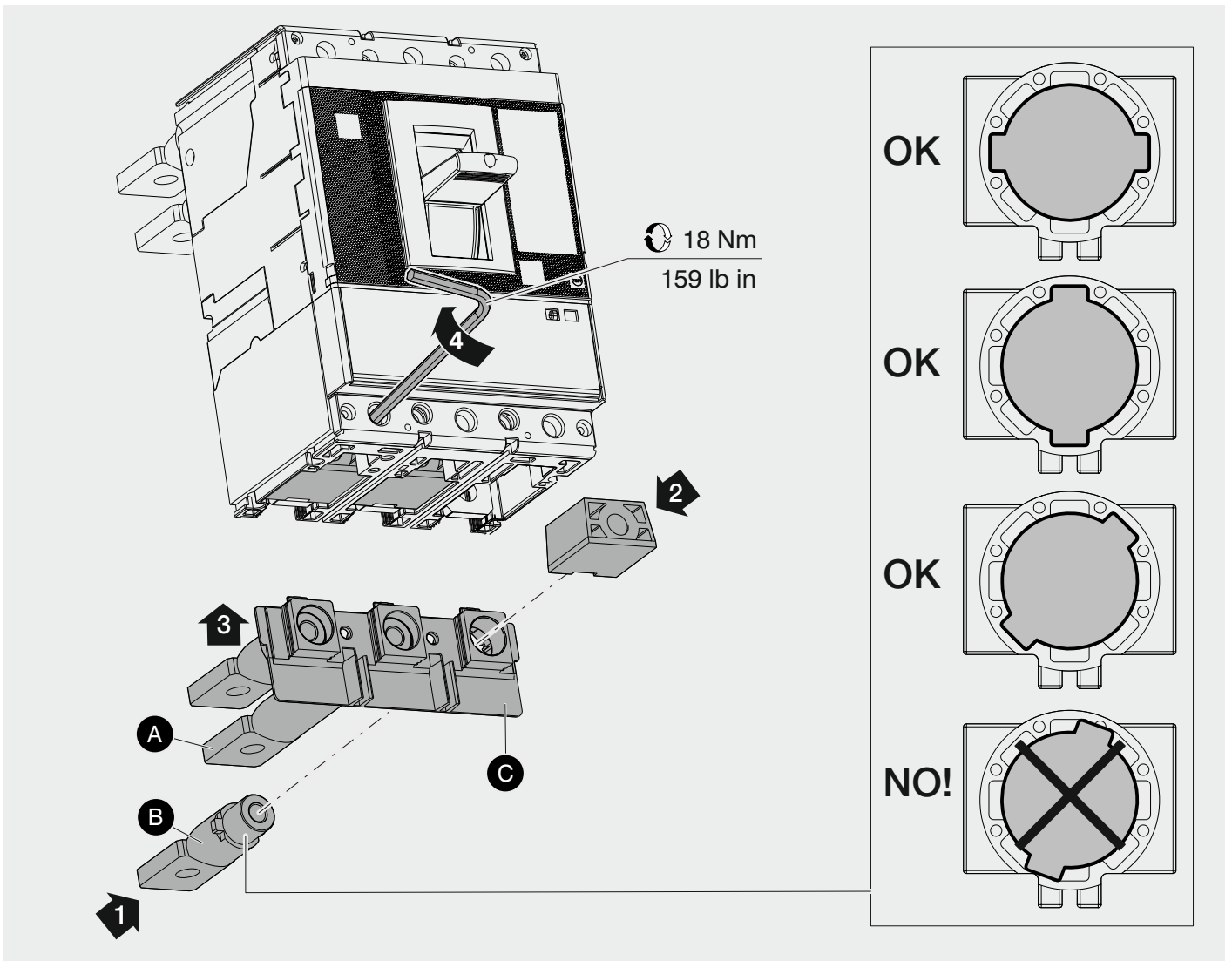
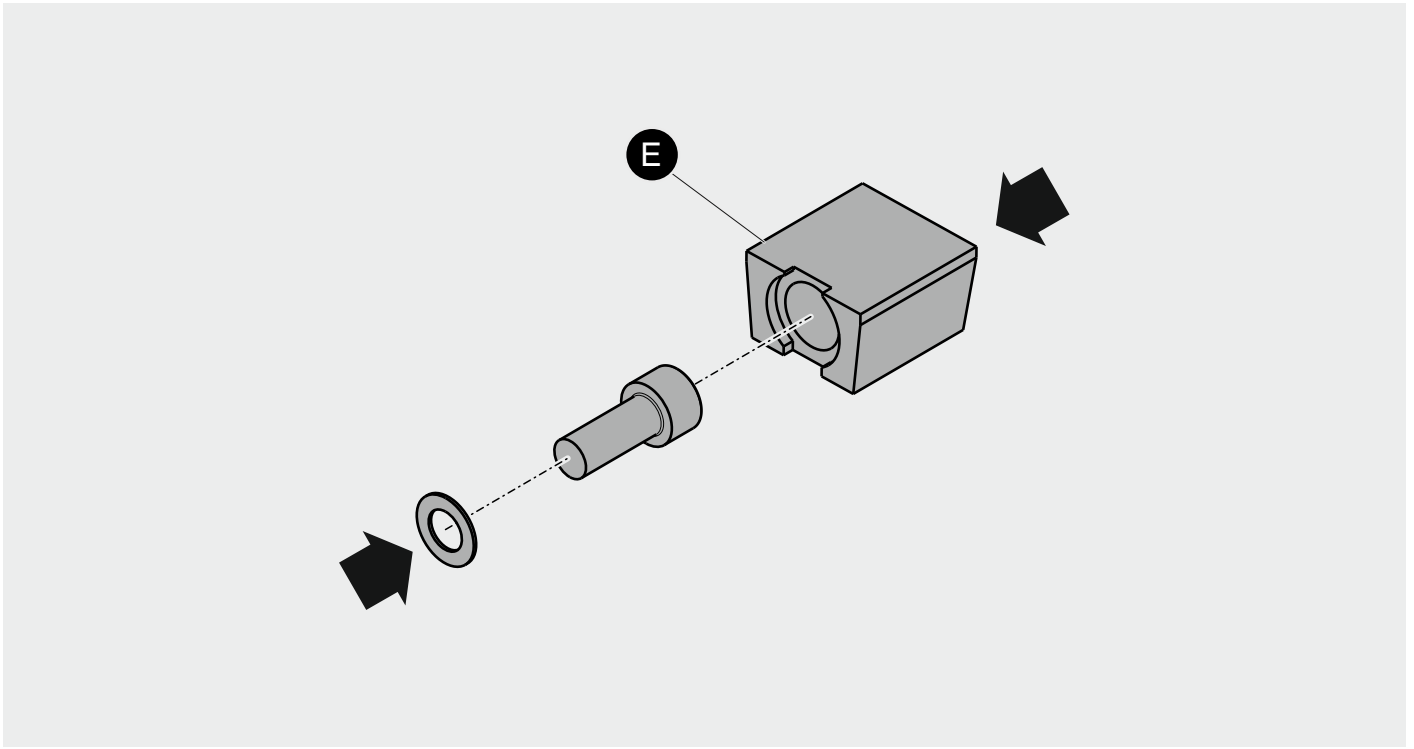
Only for top terminals



3

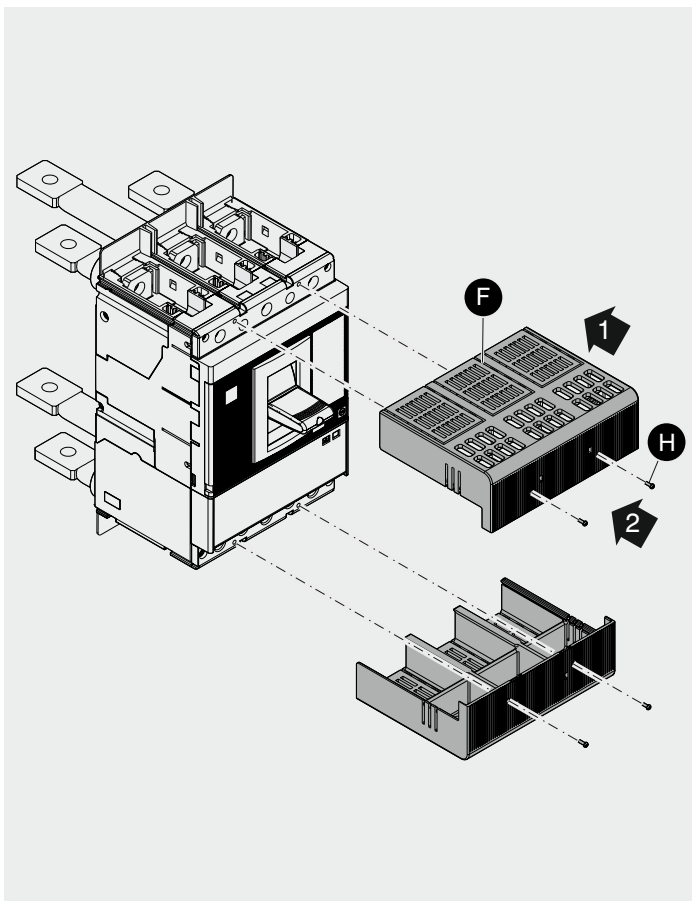
Example with 3p, top terminals





6

Example with 3p



7

Example with 4p

