

Instruction manual

Product name: Camping light

Model number: KYH-LX22C0289GXX0

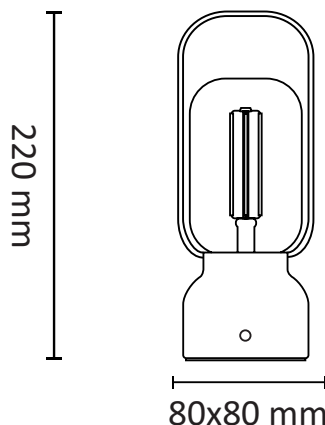


SPECIFICATIONS

Color temperature:	2700K
Charging voltage	DC 5V (TYPE-C)
Rated power:	1,5W
Degree of protection:	IP20
Operating temperature:	-10~+40°C
Operating humidity:	0%~85%
Dimensions:	220x80x80mm
Light fixture:	LED (do not need to be replaced)

TECHNICAL DATA

Lithium-ion battery:	1800MA
Charging time:	3hours to full
Running hours:	Approx. 7hours (100% brightness)
Touch switch:	100% – 40% – 10% – OFF



APPLICATION

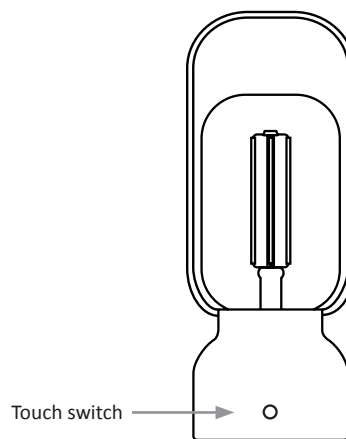
Camping
Hiking
Gathering
Emergency Use
Outdoor Use

CHARGING PROCESS

- Fully charge the lamp before it is stored for a longer period.
- Connect mains adapter with the lamp.
- Switch lamp off during charging.
- LED indicator of the lamp changes to **RED** during charging.
- When charging is completed, the indicator turns to **GREEN**.
- Remember to pull out the cable from the camping lamp when it is not charged.

CLEANING

Clean the product by wiping it off with a slightly moistened cloth.
Do not use chemicals, solvents or detergents.



WARNING

- Light bulb is not replaceable.
- Do not disassemble the light bulb - Risk of injuries.
- The product must never be placed on hot surfaces or near open fire, or be exposed to high temperatures.
- Do not place anything heavy on it, and do not expose it to strokes and shock.
- The product must never be lowered into water or other liquid. It must also not be rinsed under running water.

ELECTRICAL WASTE

Electrical and electronic products, including all types of batteries, must be supplied for recycling. (According to Directive 2012/19/EU and 2006/66/EC). This product contains a Li-ion battery. The battery must not be swallowed, opened, crushed, exposed to open flames or exposed to high temperatures.



FRAGILE



IP20