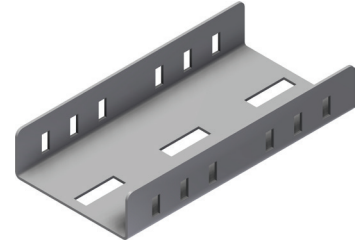


# Product Data Sheet

| OS ITNO | Hilti ITNO | Product name | Material |
|---------|------------|--------------|----------|
|---------|------------|--------------|----------|

|         |  |                                     |                 |
|---------|--|-------------------------------------|-----------------|
| 1301068 |  | Cent.sup. SPB-LB CS-SC-IN-100 PT SS | Stainless steel |
|---------|--|-------------------------------------|-----------------|

Central support Splice connector that provides a smooth exterior - 3m support spacing.



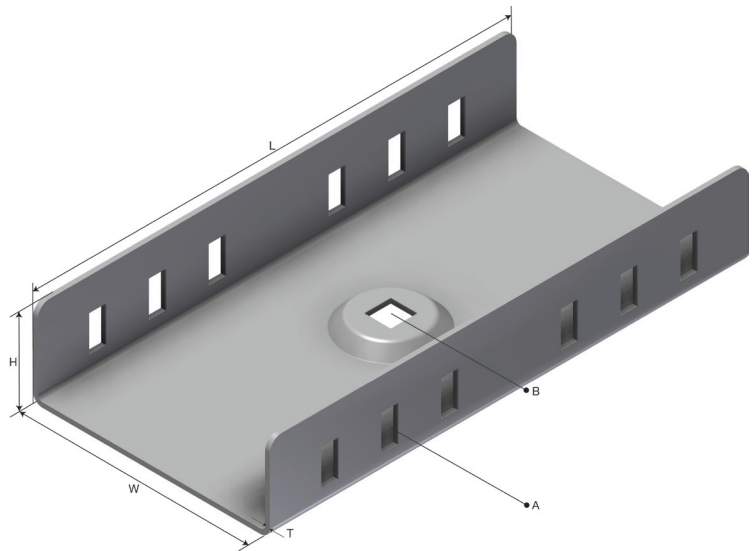
**Additional information:** Type states width.

1301068 consists of:

| OS ITNO | Hilti ITNO | Product name              | Qty. | Unit |
|---------|------------|---------------------------|------|------|
| 87021   | 2300285    | SPB-LB CS-SC-IN-100 PT SS | 1    | STK  |


## Characteristics

| Name                      | Value |
|---------------------------|-------|
| Weight (kg)               | 0.500 |
| T Material Thickness (mm) | 2.0   |
| L Length (mm)             | 200   |
| H Height (mm)             | 36    |
| W1 Width 1 (mm)           | 100   |
| A Hole Size (mm)          | 7x15  |
| B Hole Size (mm)          | 11x11 |



Product images are a general representation of the product design however some variances may occur.

## Product packaging information

|                   |                     |  |
|-------------------|---------------------|--|
| <b>F-PAK GTIN</b> | <b>Single piece</b> | <br>7070693010689 |
| <b>D-PAK GTIN</b> |                     | <br>7070693010689 |