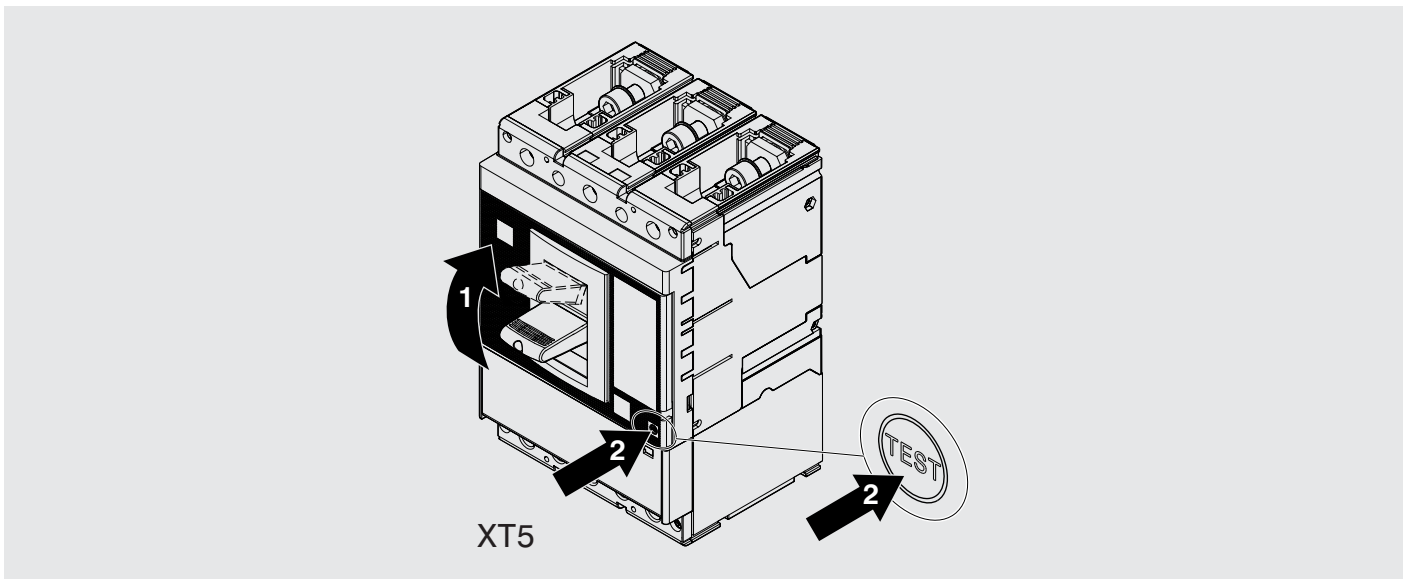
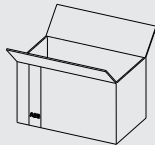

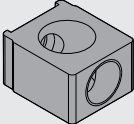
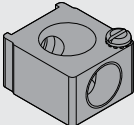
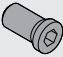



# SACE Tmax XT

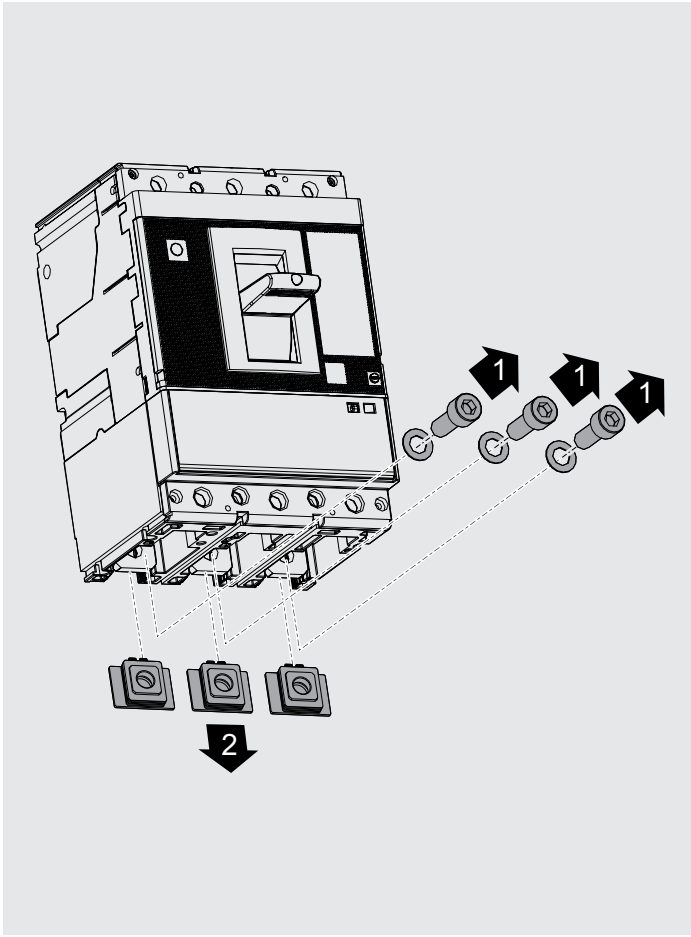
**FC CuAl - Terminali anteriori per cavi in rame - alluminio 4/0AWG...500 kcmil XT5**  
**FC CuAl - Front terminals for copper - aluminum cables 4/0AWG...500 kcmil XT5**  
**FC CuAl - Vorderseitige Anschlüsse für Kabel aus Kupfer - Aluminium 4/0AWG...500 kcmil XT5**  
**FC CuAl - Prises avant pour câbles en cuivre - aluminium 4/0AWG...500 kcmil XT5**  
**FC CuAl - Terminales frontales para cables de cobre - aluminio 4/0AWG...500 kcmil XT5**  
**FC CuAl - 銅鋁電纜前端子4/0AWG...500 kcmil XT5**

XT5

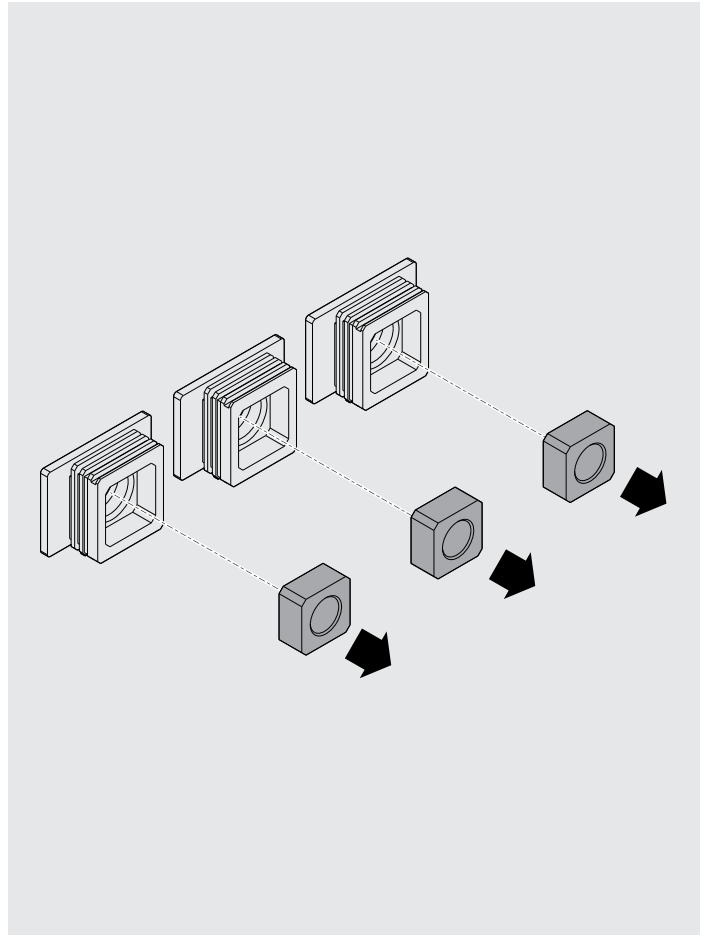


					
				3p	4p
A		3	4		
A1		3	4		
B		3	4		
C		3	4		

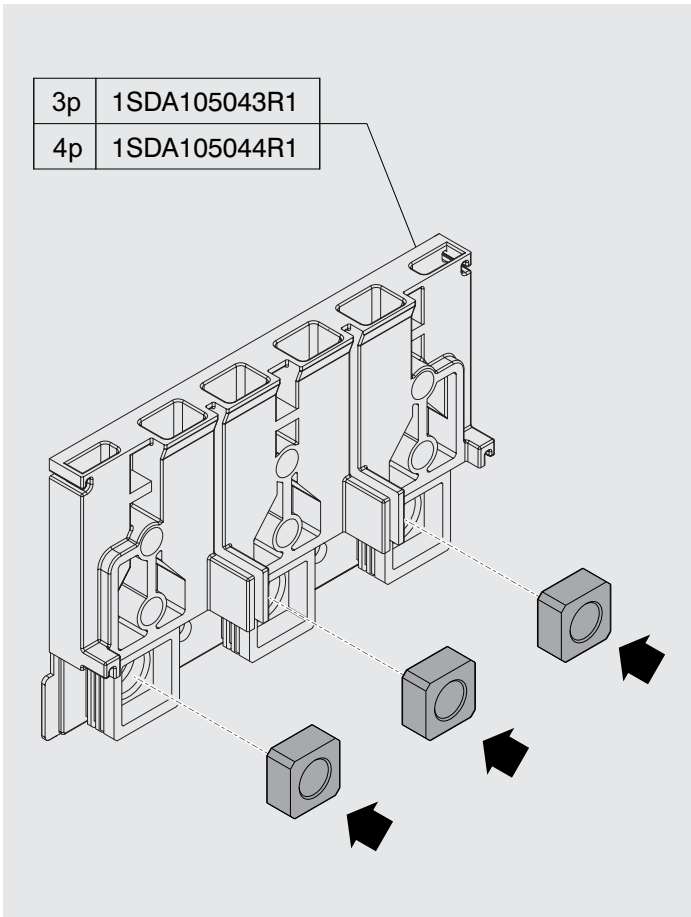
1 Example for supply from lower terminals,  $\geq 500V - F$



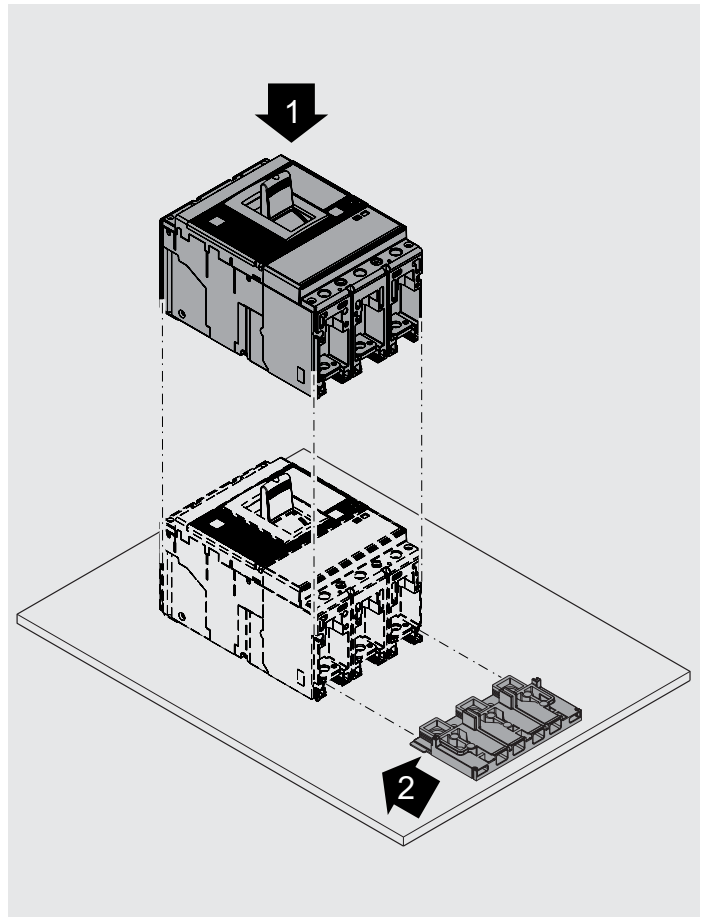
2 Example for supply from lower terminals,  $\geq 500V - F$



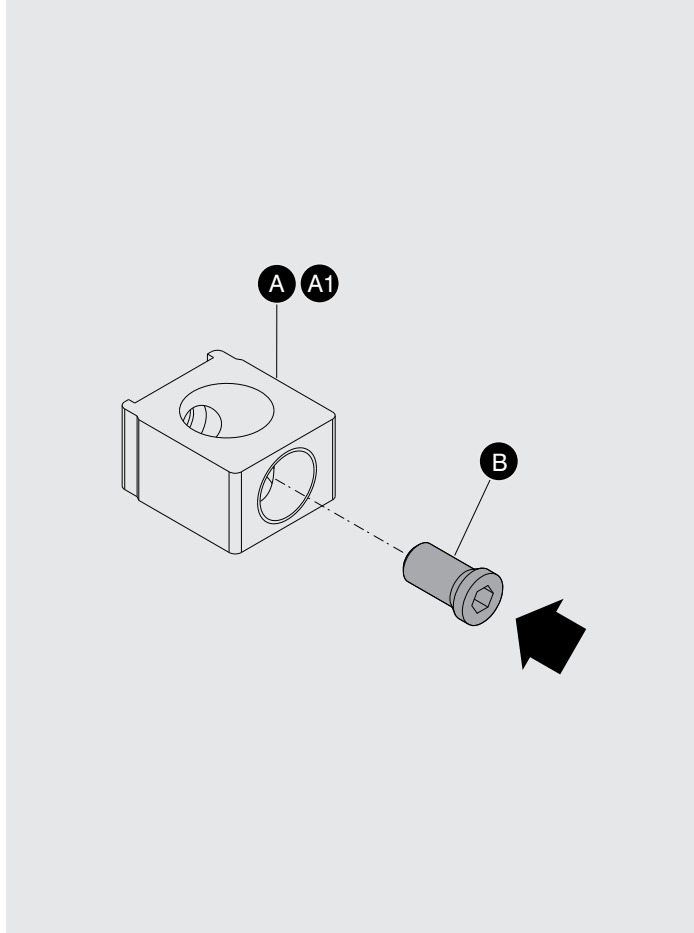
3 Example for supply from lower terminals,  $\geq 500V - F$



4 Example for supply from lower terminals,  $\geq 500V - F$



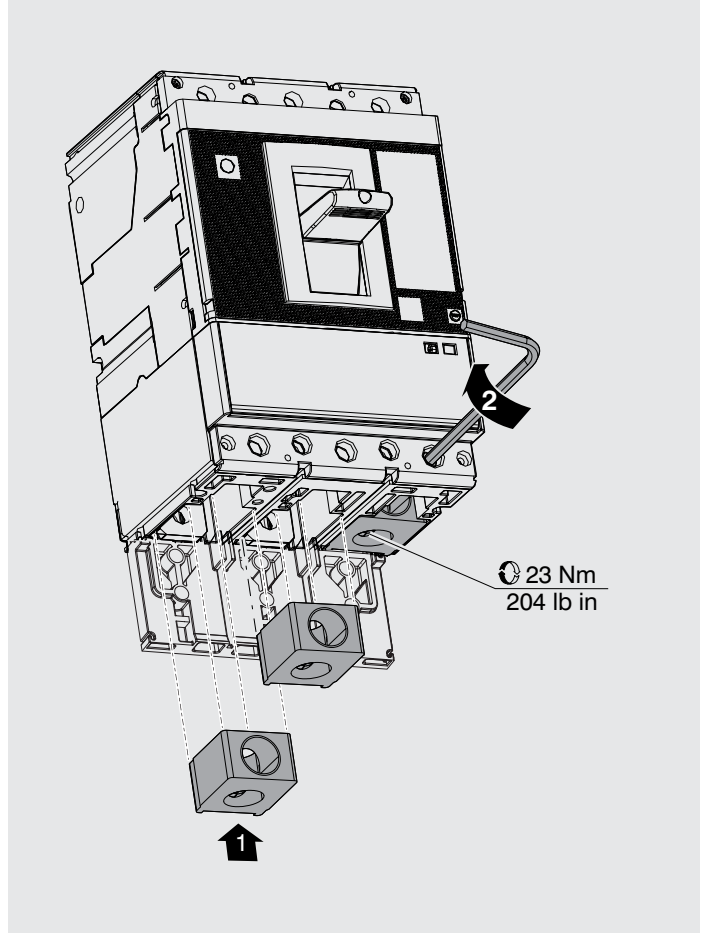
5



F

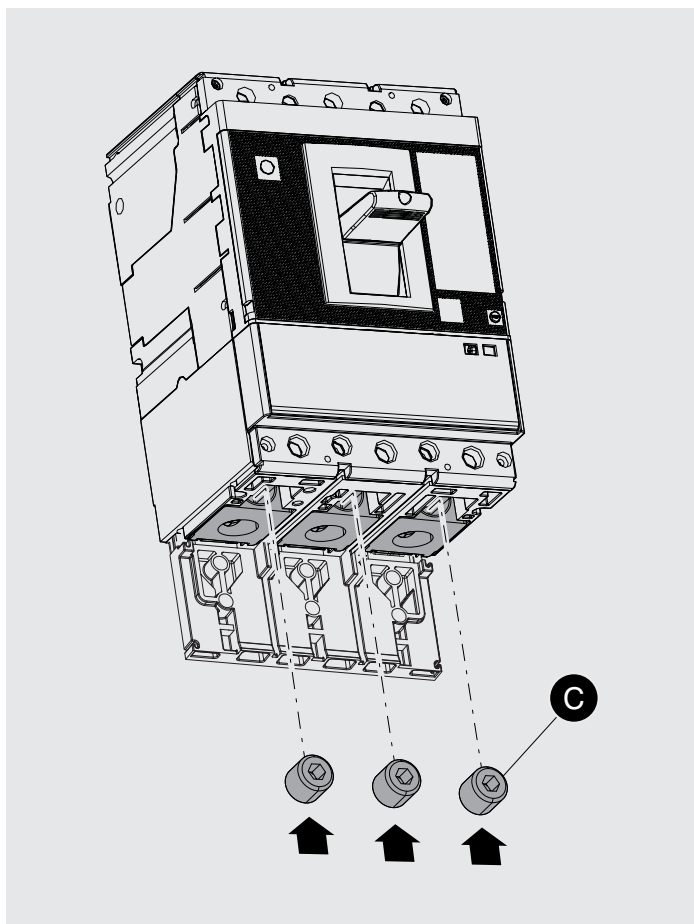
6

Example for supply from lower terminals,  $\geq 500V - F$



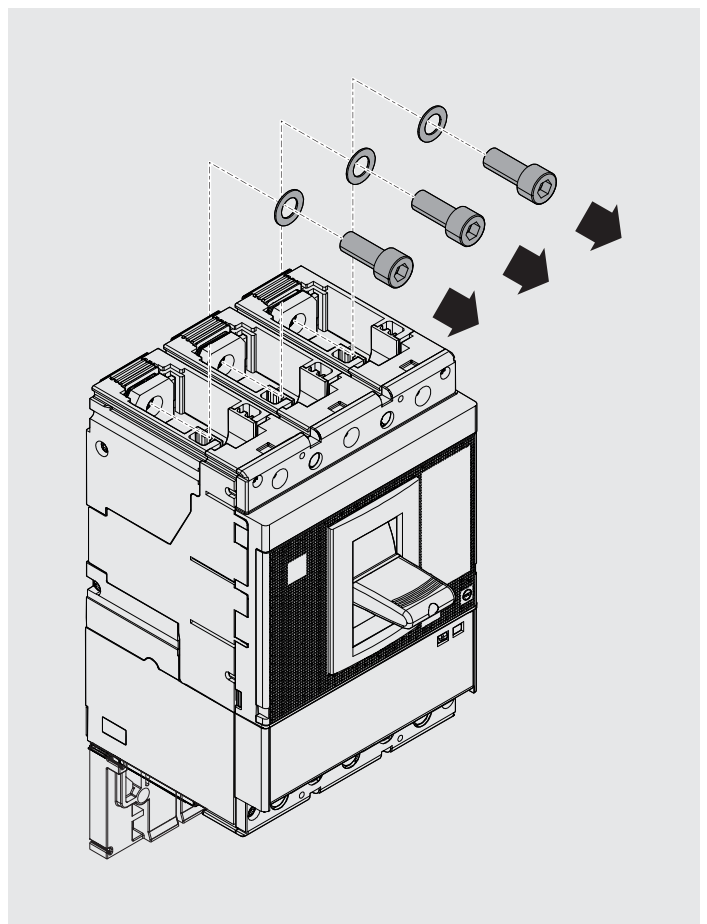
7

Example for supply from lower terminals,  $\geq 500V - F$

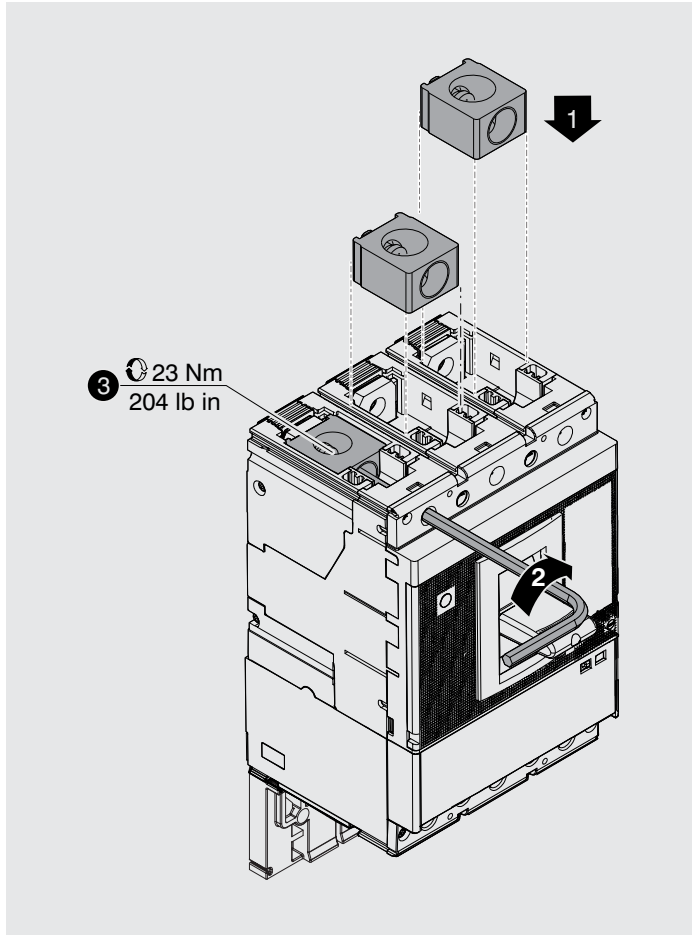


8

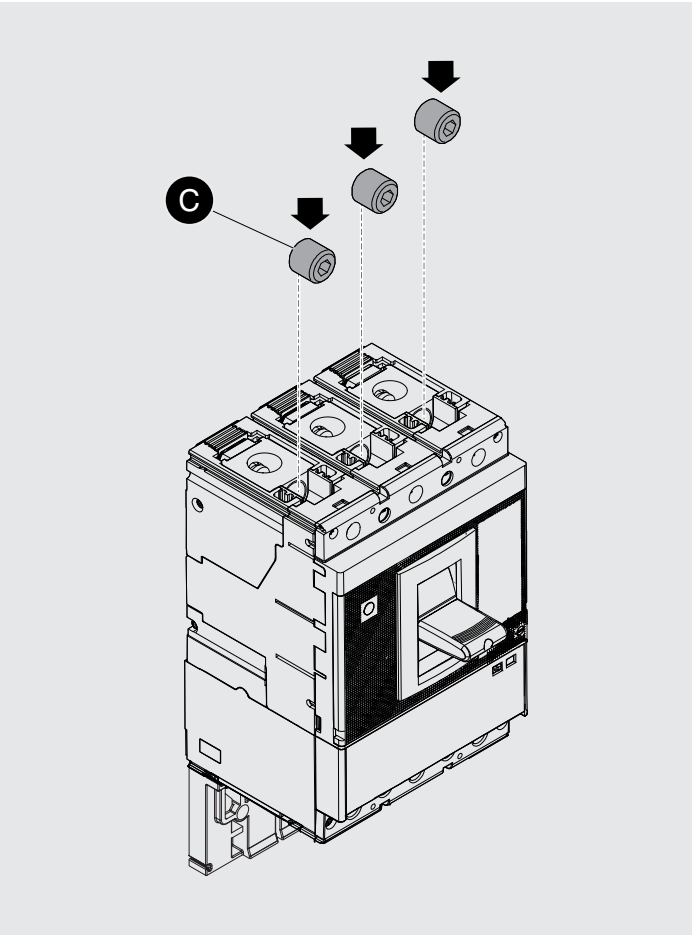
Example for supply from lower terminals,  $\geq 500V - F$



9 Example for supply from lower terminals, ≥500V - F



10 Example for supply from lower terminals, ≥500V - F



11

F

min 28  
min 1.1"

Ø max 21,5  
dia. max 0.85"

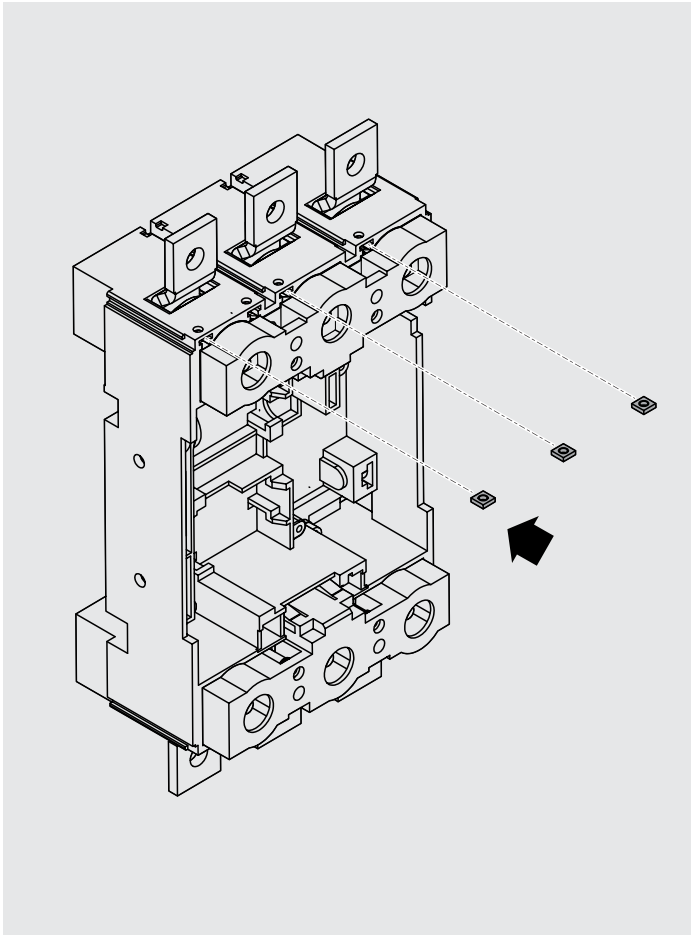
Cu-Al Stranded

Cu-Al Flexible

UL	MAX	500 kcmil	<del>                    </del>	23 Nm / 204 lb in
	MIN	4/0 AWG		
UL	MAX	240mm <sup>2</sup>	<del>                    </del>	23 Nm / 204 lb in
	MIN	120mm <sup>2</sup>		

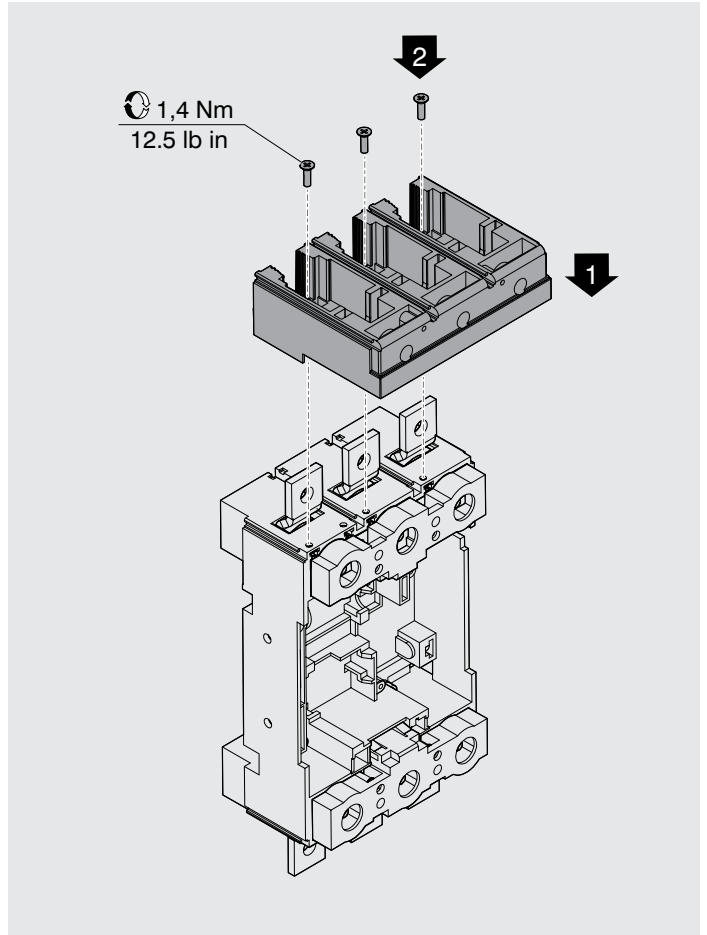
12

P - W



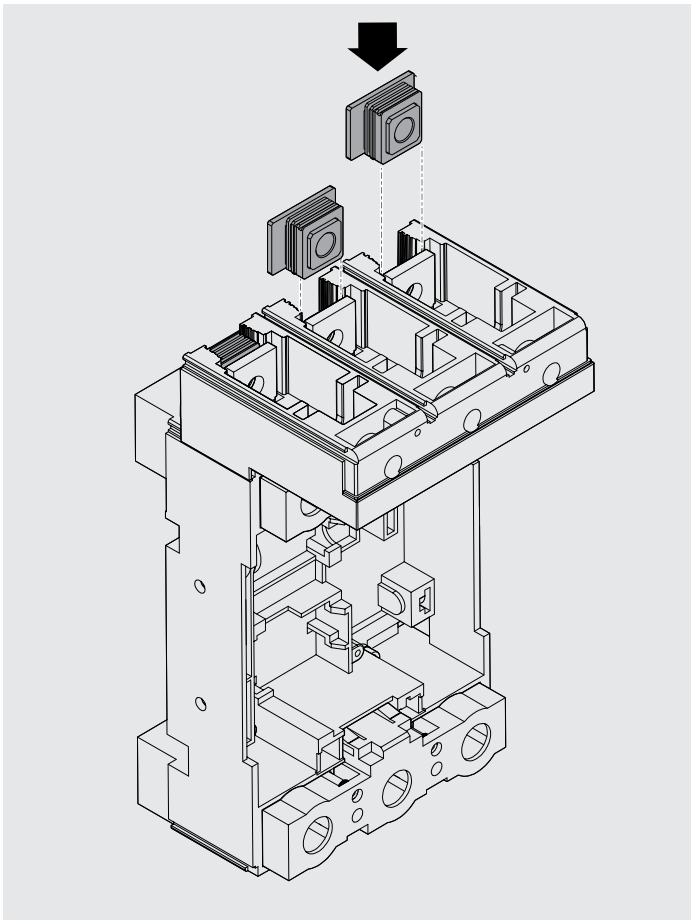
13

P - W



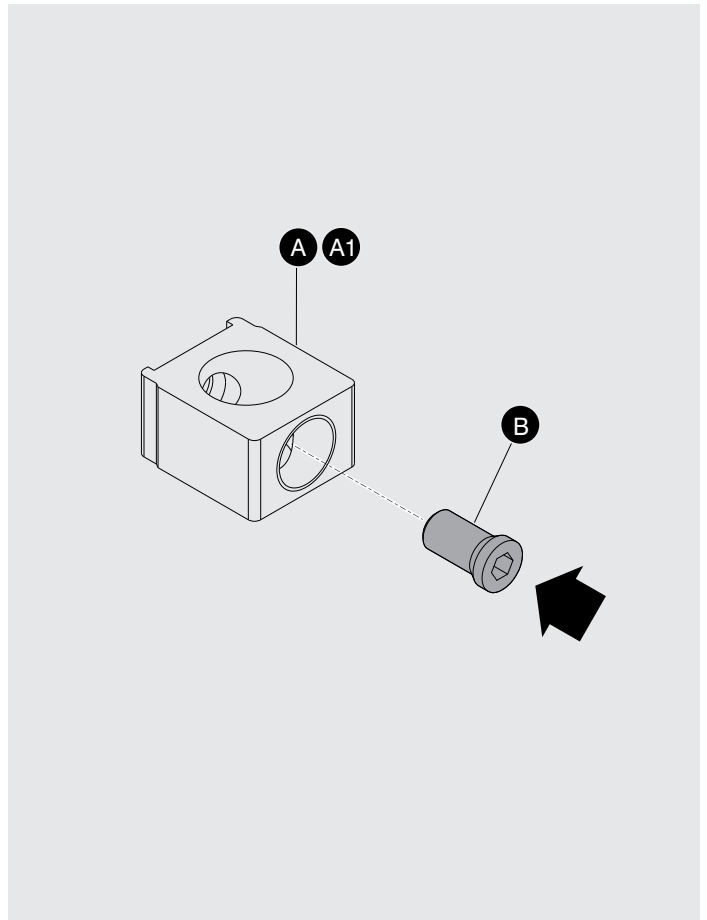
14

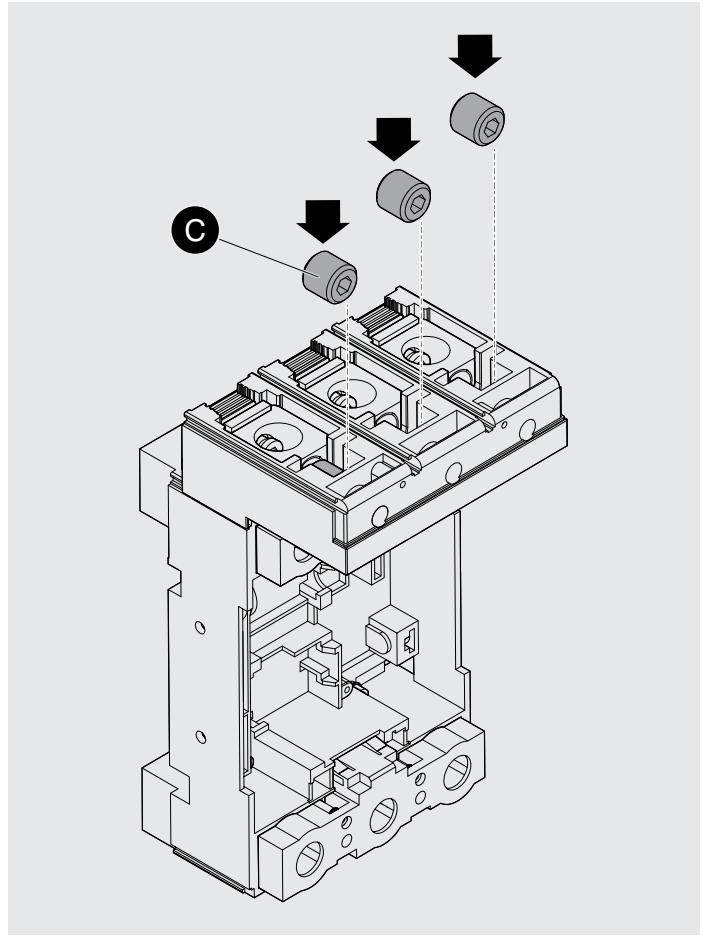
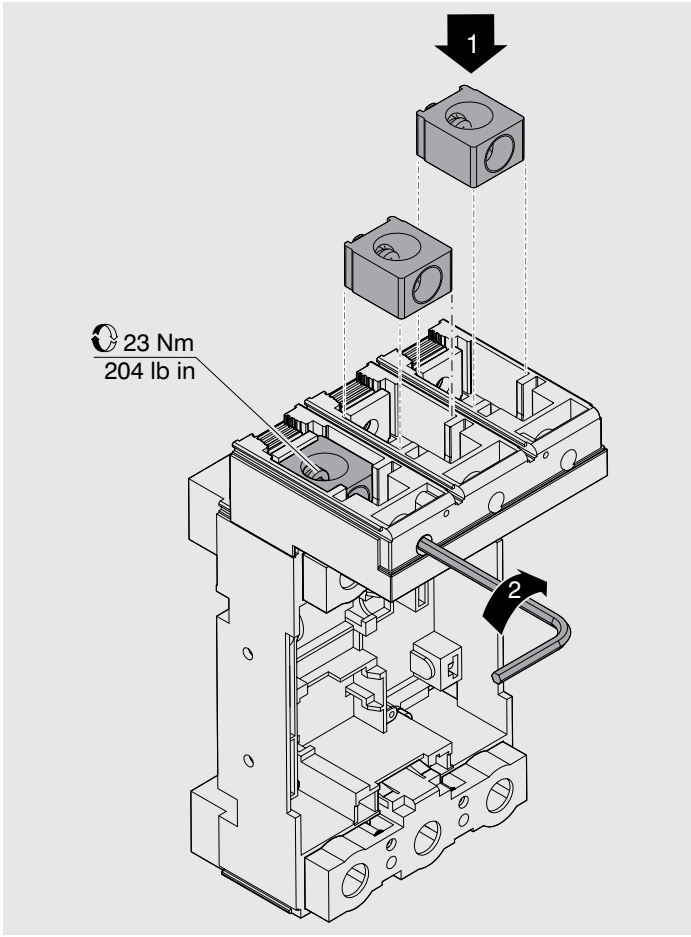
P - W



15

P - W





min 28  
min 1.1"

Ø max 21,5  
dia. max 0.85"

	Cu-Al Stranded	Cu-Al Flexible	
UL	MAX 500 kcmil MIN 4/0 AWG		23 Nm / 204 lb in
	MAX 240mm <sup>2</sup> MIN 120mm <sup>2</sup>		23 Nm / 204 lb in