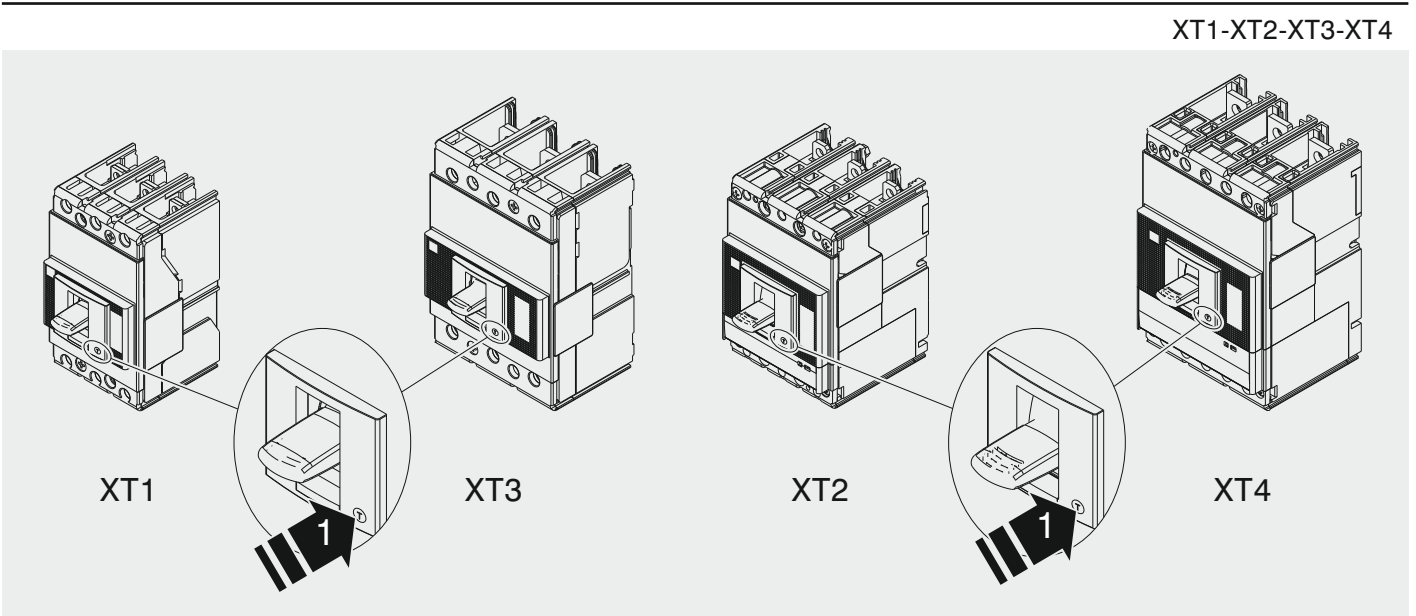


SACE Tmax XT

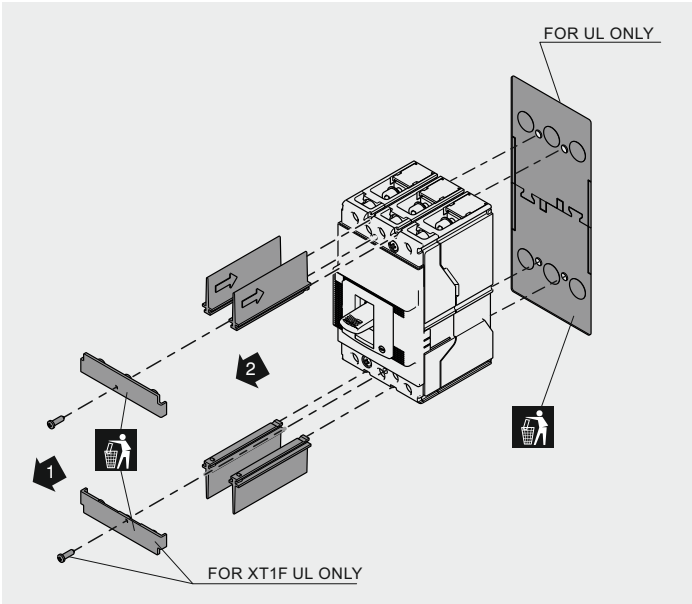
FC CuAl ext. - Terminali esterni per cavi XT1-XT2-XT3-XT4.
 FC CuAl ext. - External terminals for cables XT1-XT2-XT3-XT4.
 FC CuAl ext. - Externe Anschlüsse für Kabel XT1-XT2-XT3-XT4.
 FC CuAl ext. - Prises extérieures pour câbles XT1-XT2-XT3-XT4.
 FC CuAl ext. - Terminales exteriores para cables XT1-XT2-XT3-XT4.



	XT1 - 35 mm ² ...95 mm ² XT1 - 2 AWG...4/0 AWG		XT2 - 70 mm ² ...185 mm ² XT2 - 2/0 AWG...350 Kcmil		XT2 - 2x35 mm ² ...70mm ² XT2 - 2x2 AWG...2/0 AWG		XT3 - 2x35 mm ² ...120 mm ² XT3 - 2x2 AWG...250 Kcmil		XT4 - 2x35 mm ² ...120 mm ² XT4 - 2x2 AWG...250 Kcmil	
	III	IV	III	IV	III	IV	III	IV	III	IV
	3(6)	4(8)								
			3(6)	4(8)						
					3(6)	4(8)	3(6)	4(8)	3(6)	4(8)
							3(6)	4(8)	3(6)	4(8)
			3(6)	4(8)	3(6)	4(8)			3(6)	4(8)
	1(2)	1(2)	1(2)	1(2)	1(2)	1(2)	1(2)	1(2)	1(2)	1(2)
							1(2)	1(2)		
	1(2)	1(2)	1(2)	1(2)	1(2)	1(2)	1(2)	1(2)	1(2)	1(2)

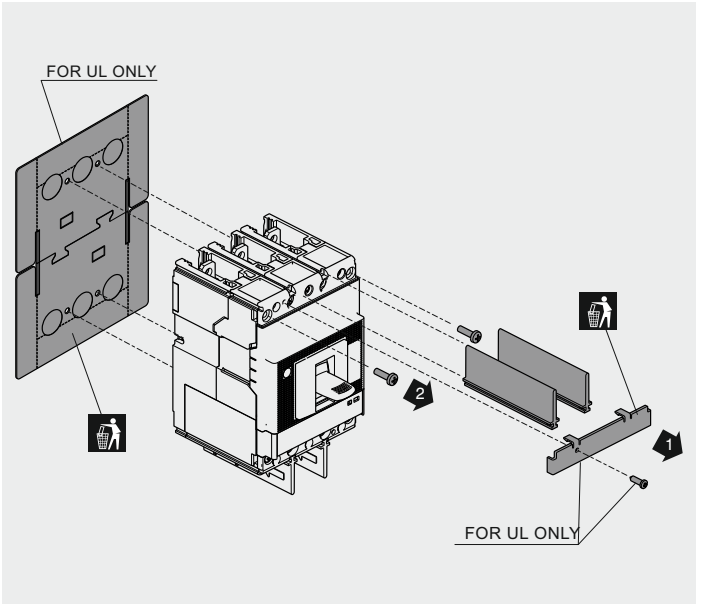
1

ONLY FOR XT1F - XT3F



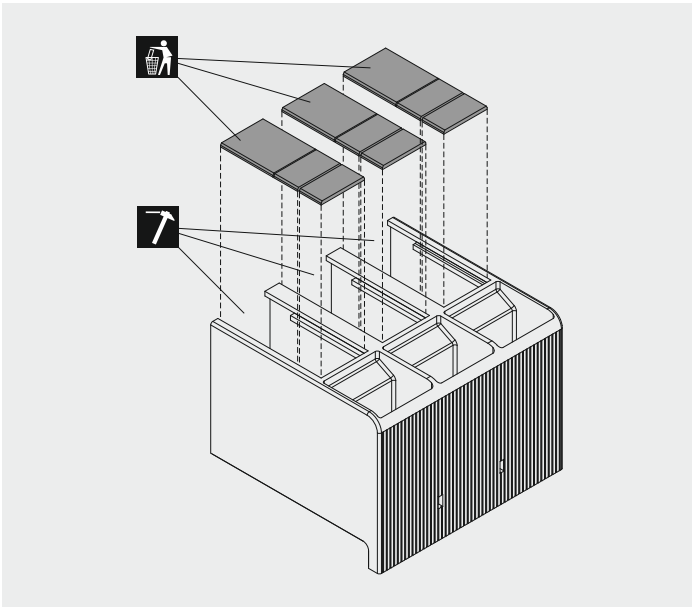
2

ONLY FOR XT2 F- XT4 F



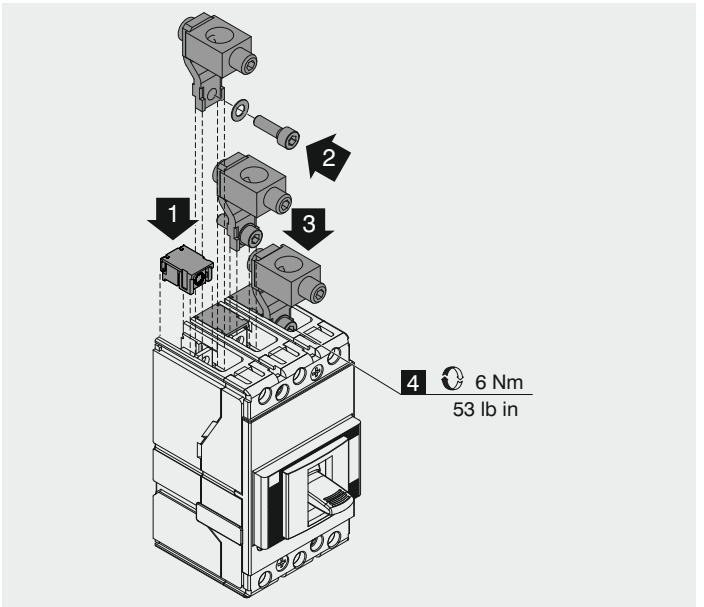
3

XT1 - XT2 - XT3 - XT4



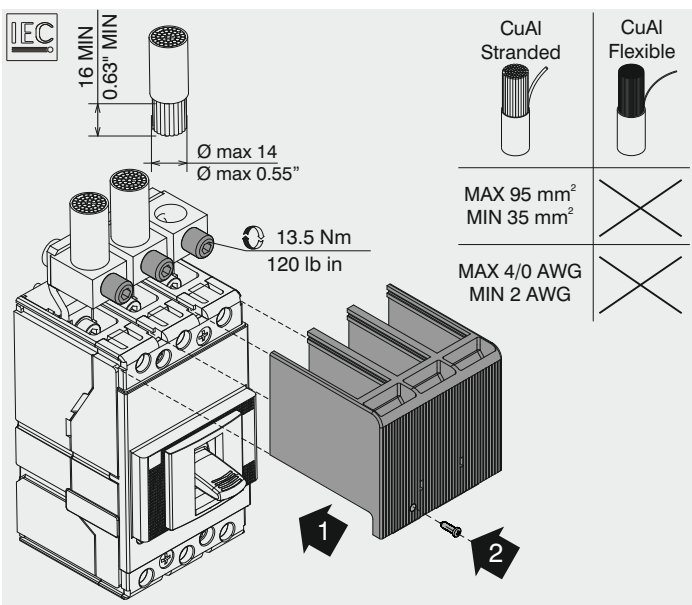
4

XT1 - FC-CuAl EXT - 35 mm²...95 mm² (2 AWG...4/0 AWG)



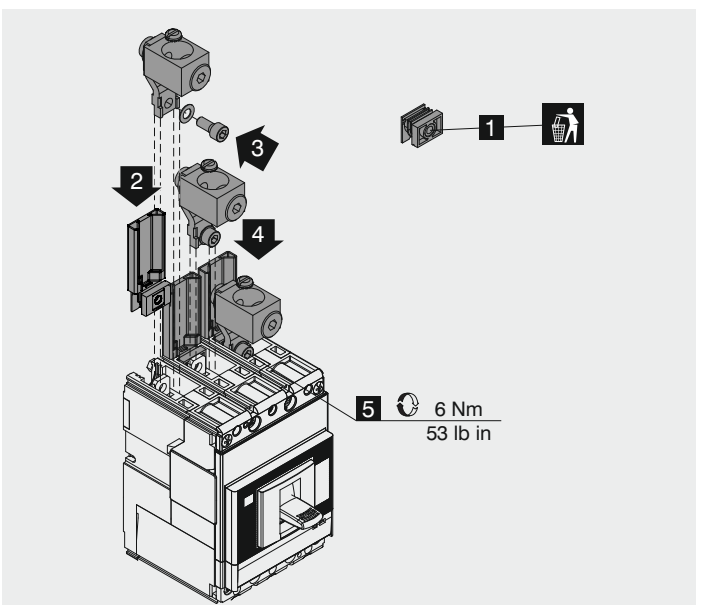
5

XT1 - FC-CuAl EXT - 35 mm²...95 mm² (2 AWG...4/0 AWG)


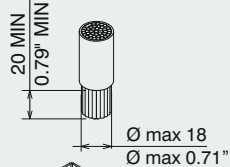


6

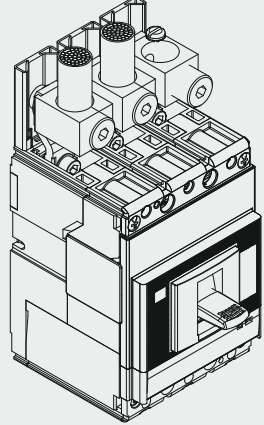
XT2 - FC-CuAl EXT - 70 mm²...185 mm² (2/0 AWG...350 Kcmil)



7 XT2 - FC-CuAl EXT - 70 mm²...185 mm² (2/0 AWG...350 Kcmil)

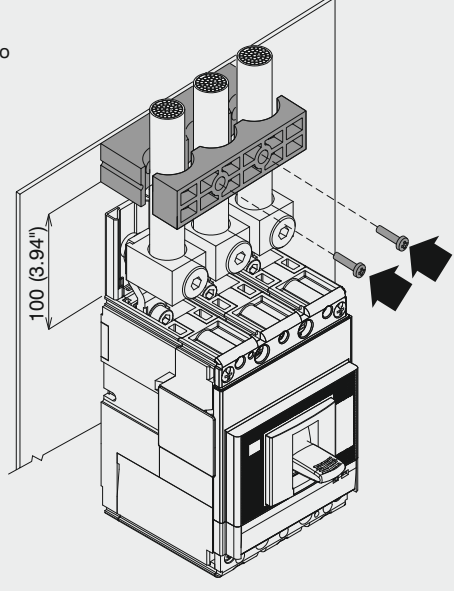



	CuAl Stranded	CuAl Flexible
MAX 185 mm ² MIN 70 mm ²		X
MAX 350 Kcmil MIN 2/0 AWG		X

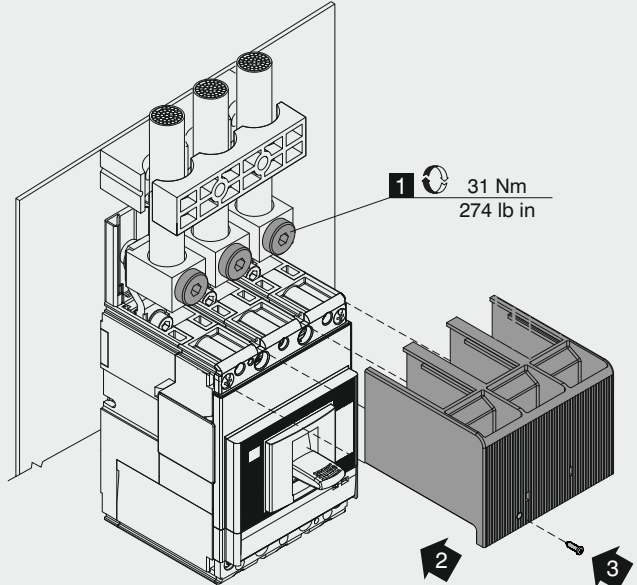


8 XT2 - FC-CuAl EXT - 70 mm²...185 mm² (2/0 AWG...350 Kcmil)

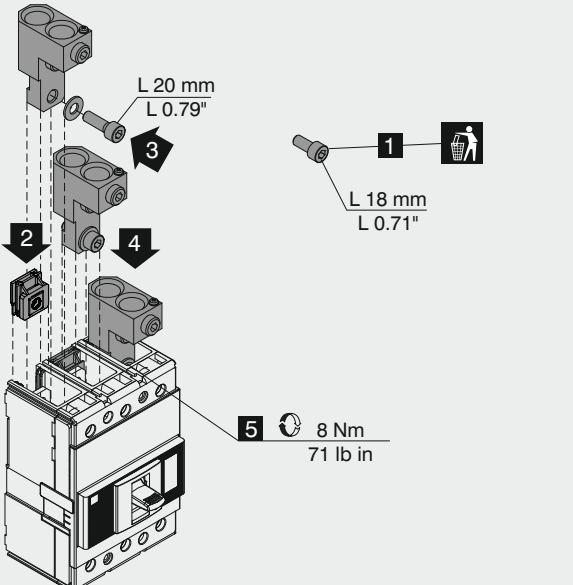
- Attenzione: fissare i cavi al quadro prima di serrare i morsetti; Setti di ancoraggio a cura del cliente.
- Important note: fit the cables to the switchboard before tightening the terminals; Anchor plates to be supplied by the customer.
- Achtung: vor dem Festziehen der Klemmen die Kabel an der Schaltanlage befestigen; Verankerungswände vom Kunden beizustellen.
- Attention: fixer les câbles au tableau avant de serrer les bornes; Secteurs d'ancrage à la charge du client.
- Atención: sujetar los cables al cuadro antes de apretar los bornes; Placas de anclaje a cargo del cliente.




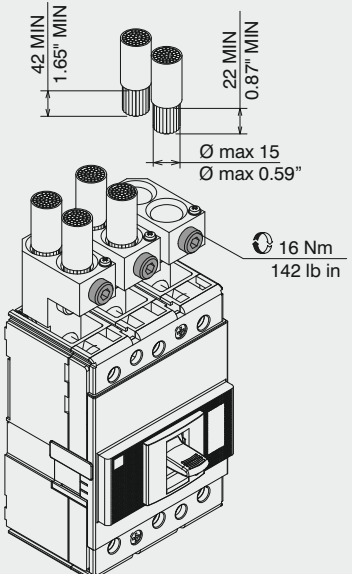
9 XT2 - FC-CuAl EXT - 70 mm²...185 mm² (2/0 AWG...350 Kcmil)



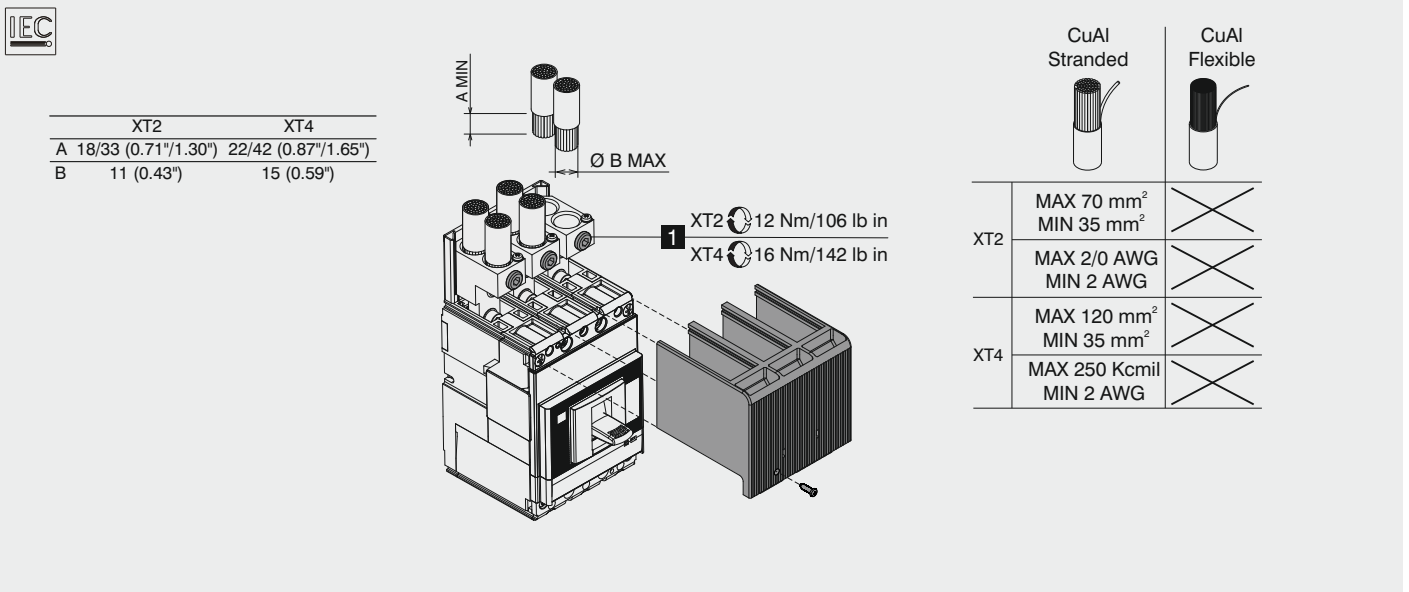
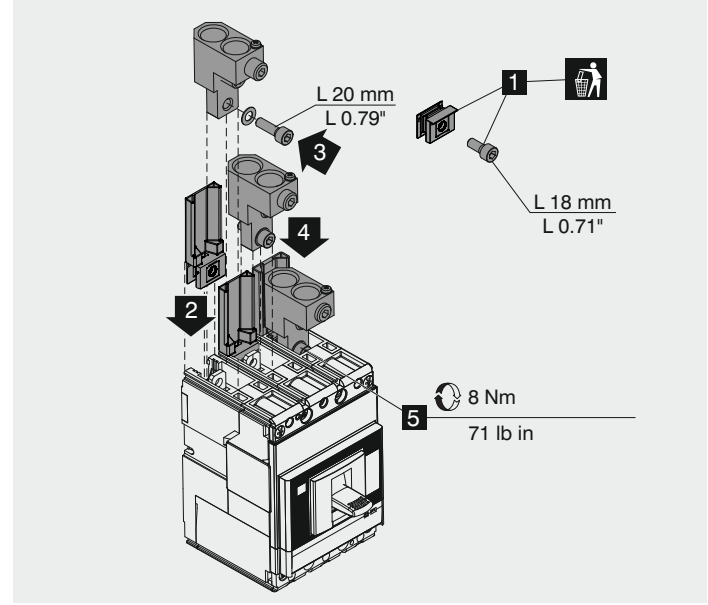
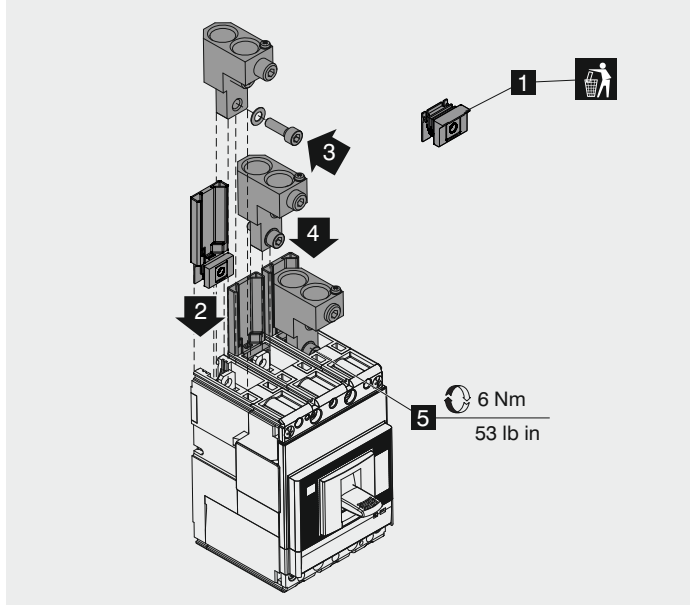
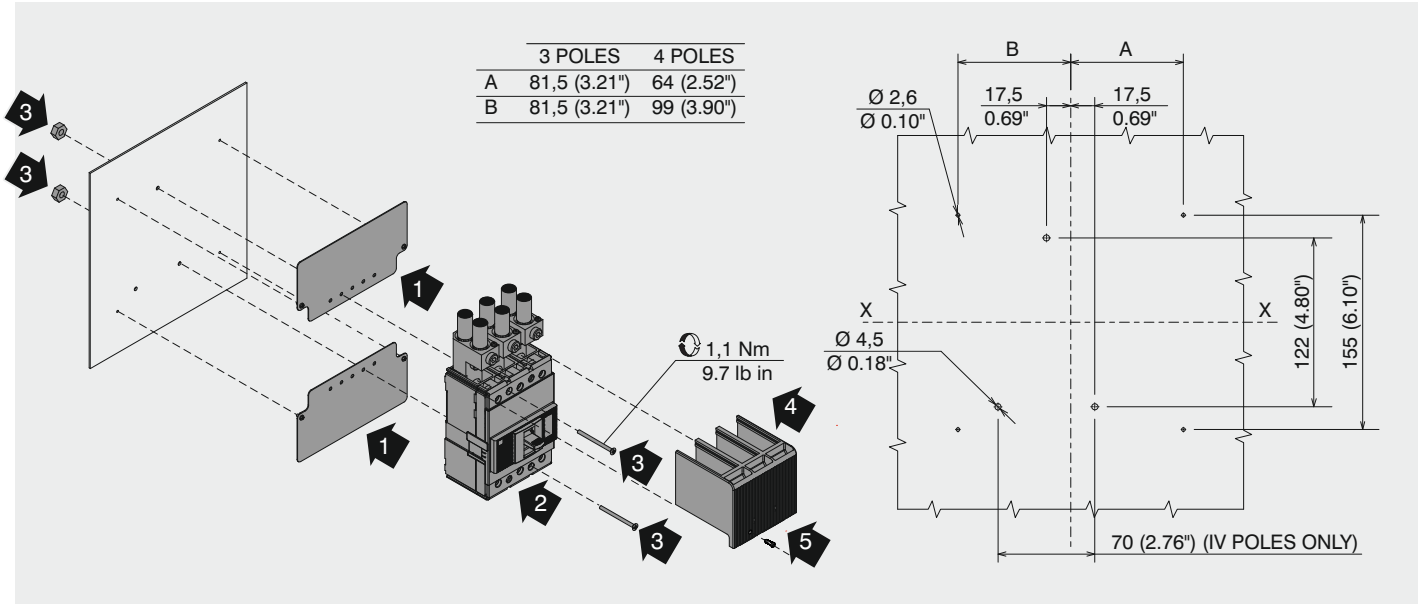
10 XT3 - FC-CuAl EXT- 2x35 mm²...120 mm² (2x2 AWG...250 Kcmil)



11 XT3 - FC-CuAl EXT- 2x35 mm²...120 mm² (2x2 AWG...250 Kcmil)

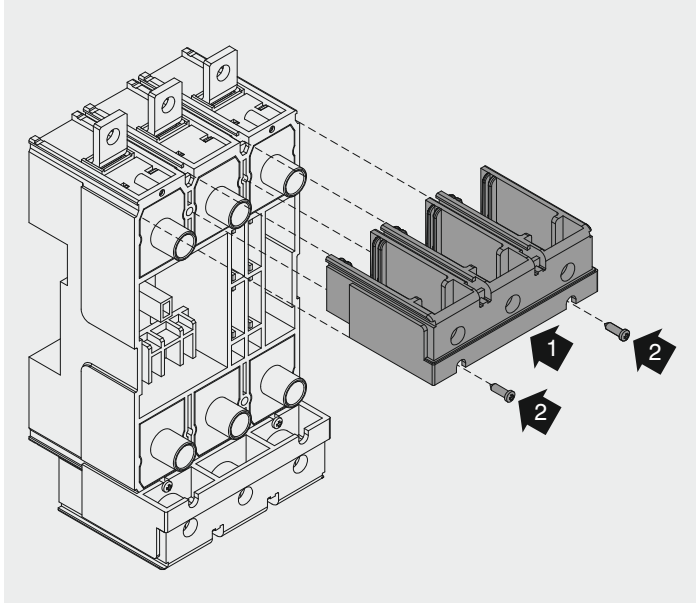
	CuAl Stranded	CuAl Flexible
MAX 150 mm ² MIN 35 mm ²		X
MAX 300 Kcmil MIN 2 AWG		X



	XT1		XT2		XT3		XT4	
	III	IV	III	IV	III	IV	III	IV
	1(2)		1(2)		1(2)		1(2)	
P-W		1(2)		1(2)		1(2)		1(2)
	2(4)	2(4)	2(4)	2(4)	2(4)	2(4)	2(4)	2(4)

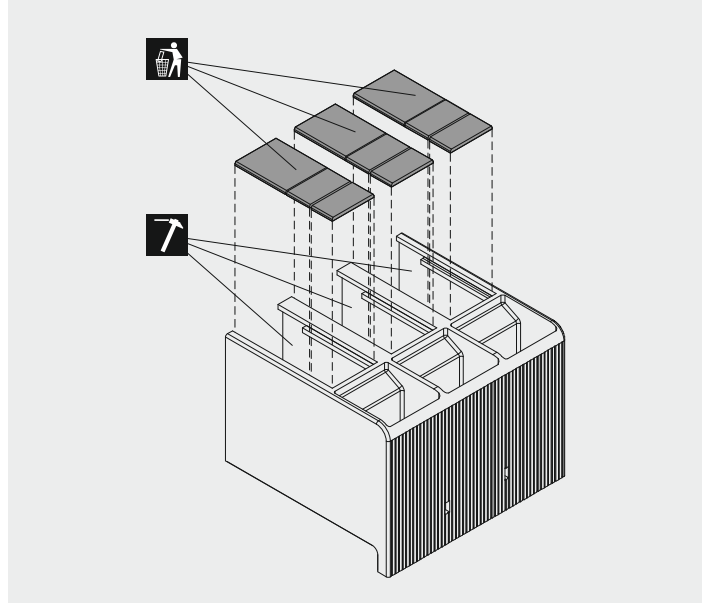
17

XT1 - XT2 - XT3 - XT4



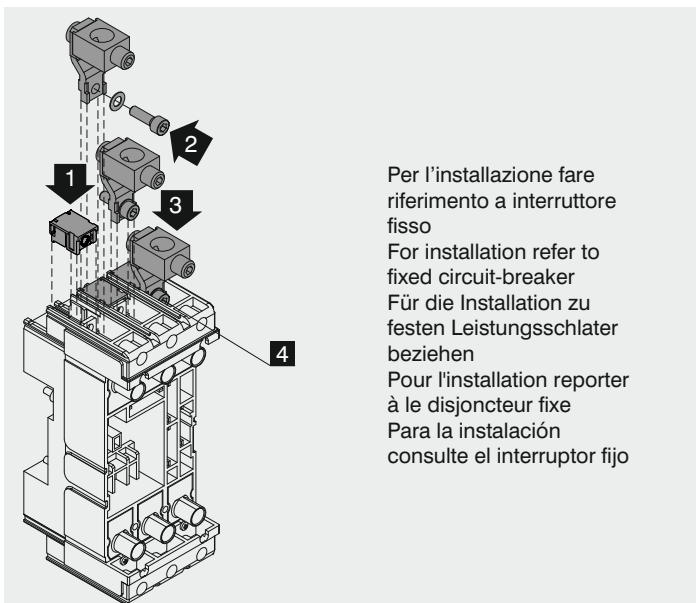
18

XT1 - XT2 - XT3 - XT4



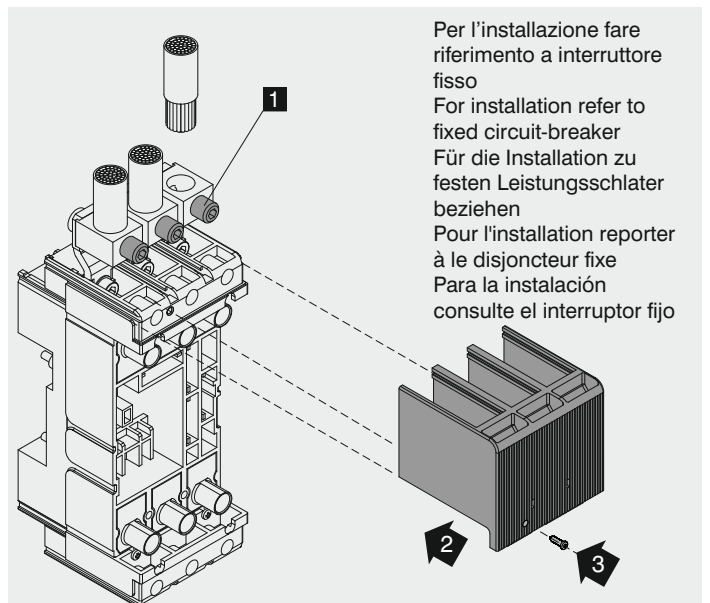
19

XT1 - FC-CuAl EXT - 35 mm²...95 mm² (2 AWG...4/0 AWG)

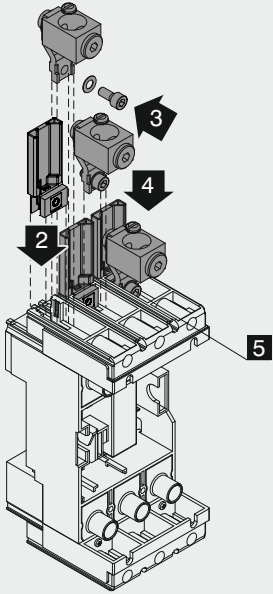


20

XT1 - FC-CuAl EXT - 35 mm²...95 mm² (2 AWG...4/0 AWG)

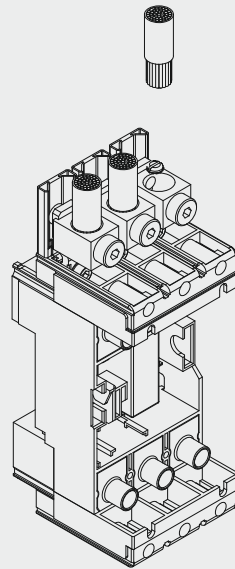


21 XT2 - FC-CuAl EXT - 70 mm²...185 mm² (2/0 AWG...350 Kcmil)



Per l'installazione fare riferimento a interruttore fisso
 For installation refer to fixed circuit-breaker
 Für die Installation zu festen Leistungsschalter beziehen
 Pour l'installation reporter à le disjoncteur fixe
 Para la instalación consulte el interruptor fijo

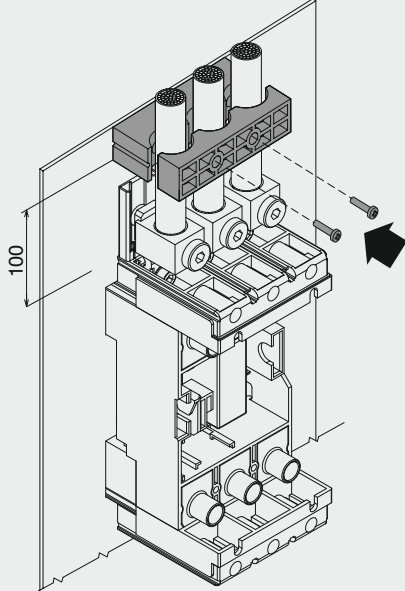
22 XT2 - FC-CuAl EXT - 70 mm²...185 mm² (2/0 AWG...350 Kcmil)



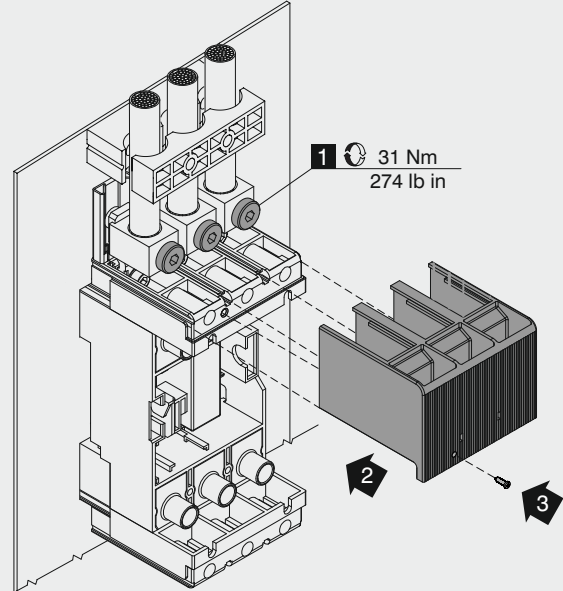
Per l'installazione fare riferimento a interruttore fisso
 For installation refer to fixed circuit-breaker
 Für die Installation zu festen Leistungsschalter beziehen
 Pour l'installation reporter à le disjoncteur fixe
 Para la instalación consulte el interruptor fijo

23 XT2 - FC-CuAl EXT - 70 mm²...185 mm² (2/0 AWG...350 Kcmil)

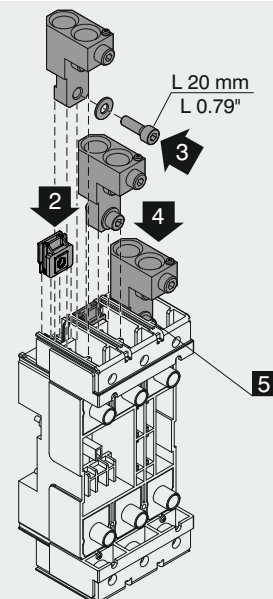
- Attenzione: fissare i cavi al quadro prima di serrare i morsetti;
 Setti di ancoraggio a cura del cliente.
 - Important note: fit the cables to the switchboard before tightening the terminals; Anchor plates to be supplied by the customer.
 - Achtung: vor dem Festziehen der Klemmen die Kabel an der Schaltanlage befestigen; Verankerungswände vom Kunden beizustellen.
 - Attention: fixer les câbles au tableau avant de serrer les bornes; Secteurs d'ancrage à la charge du client.
 - Atención: sujetar los cables al cuadro antes de apretar los bornes; Placas de anclaje a cargo del cliente.



24 XT2 - FC-CuAl EXT - 70 mm²...185 mm² (2/0 AWG...350 Kcmil)

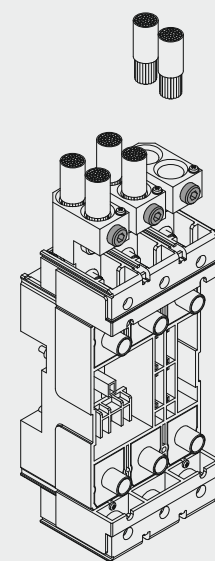


25 XT3 - FC-CuAl EXT - 2x35 mm²...120 mm² (2x2 AWG...250 Kcmil)

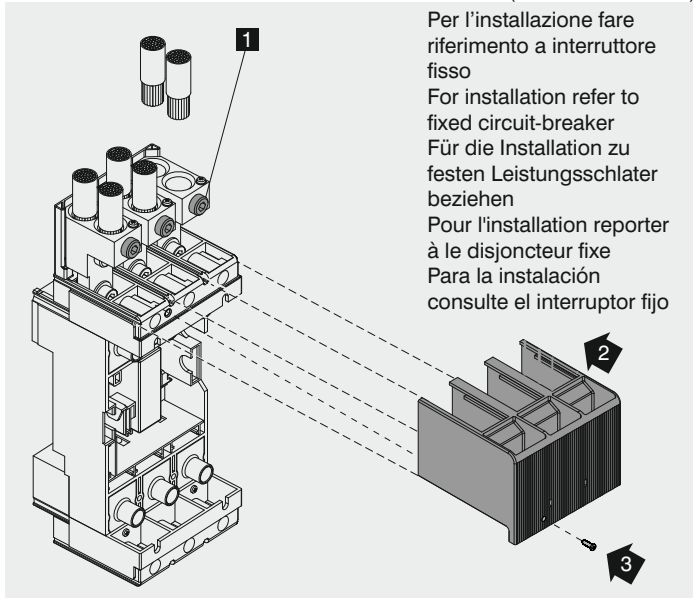
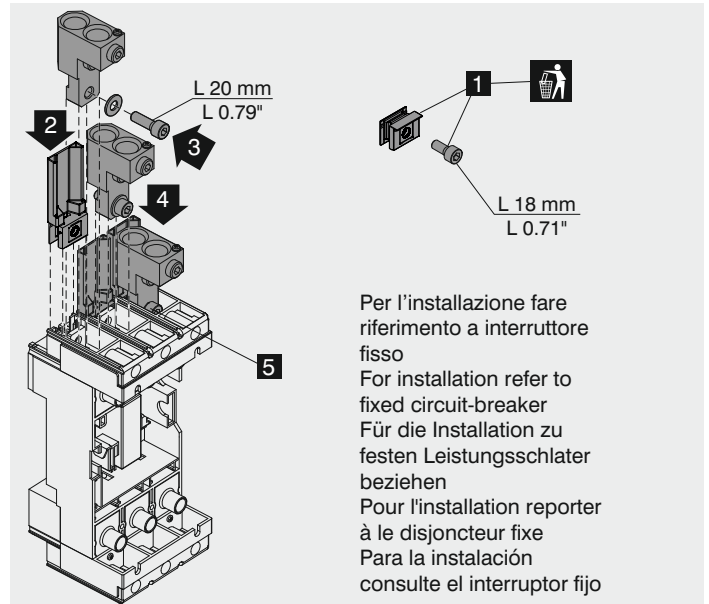
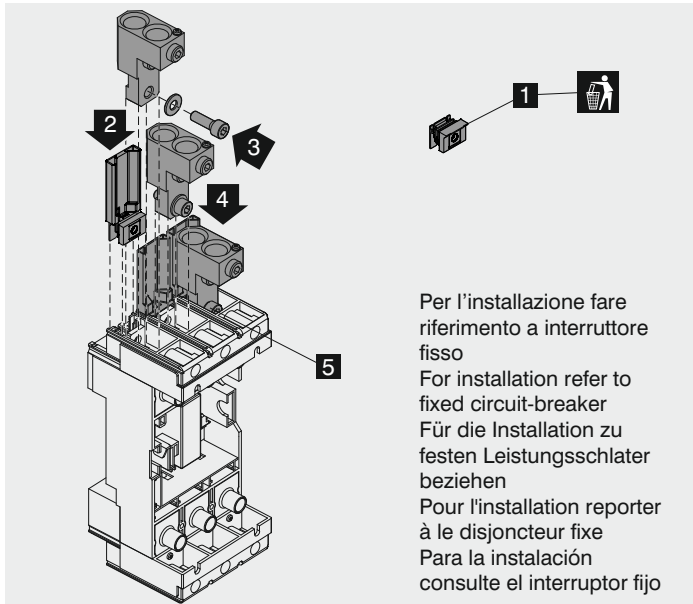
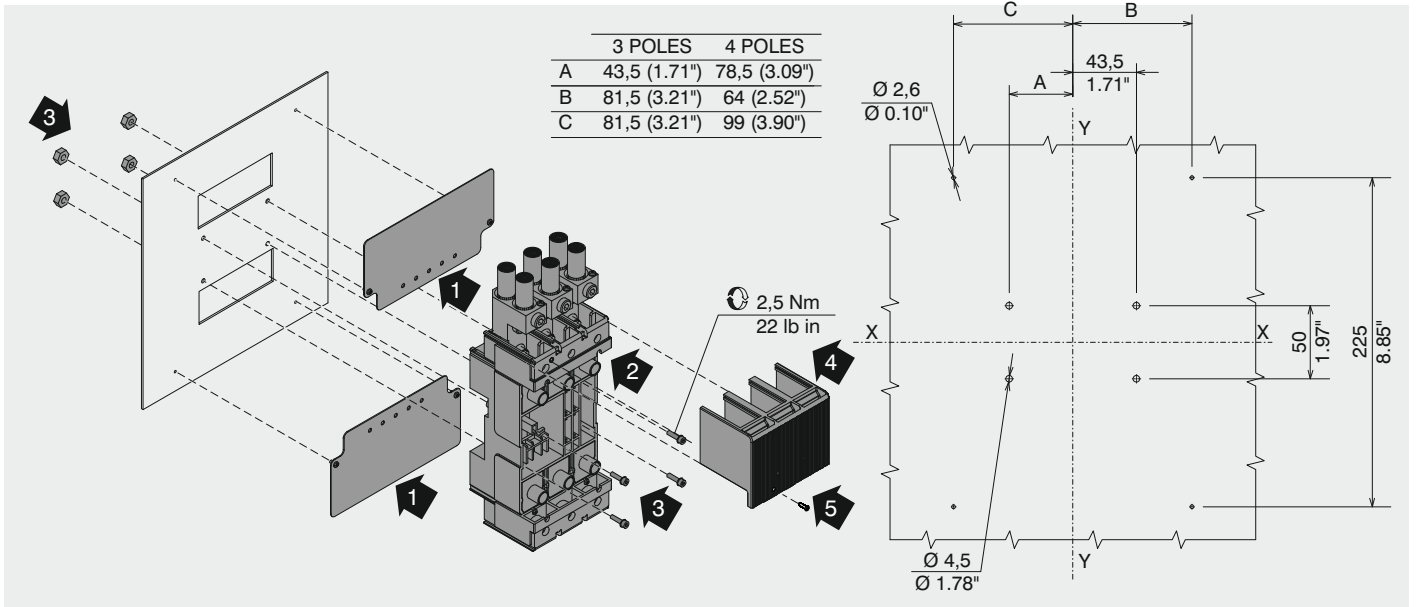


Per l'installazione fare riferimento a interruttore fisso
 For installation refer to fixed circuit-breaker
 Für die Installation zu festen Leistungsschalter beziehen
 Pour l'installation reporter à le disjoncteur fixe
 Para la instalación consulte el interruptor fijo

26 XT3 - FC-CuAl EXT - 2x35 mm²...120 mm² (2x2 AWG...250 Kcmil)



Per l'installazione fare riferimento a interruttore fisso
 For installation refer to fixed circuit-breaker
 Für die Installation zu festen Leistungsschalter beziehen
 Pour l'installation reporter à le disjoncteur fixe
 Para la instalación consulte el interruptor fijo



For more information please contact:

ABB S.p.A.
 Via Pescaria, 5
 24123 Bergamo - Italy
 Phone: +39 035 395 111