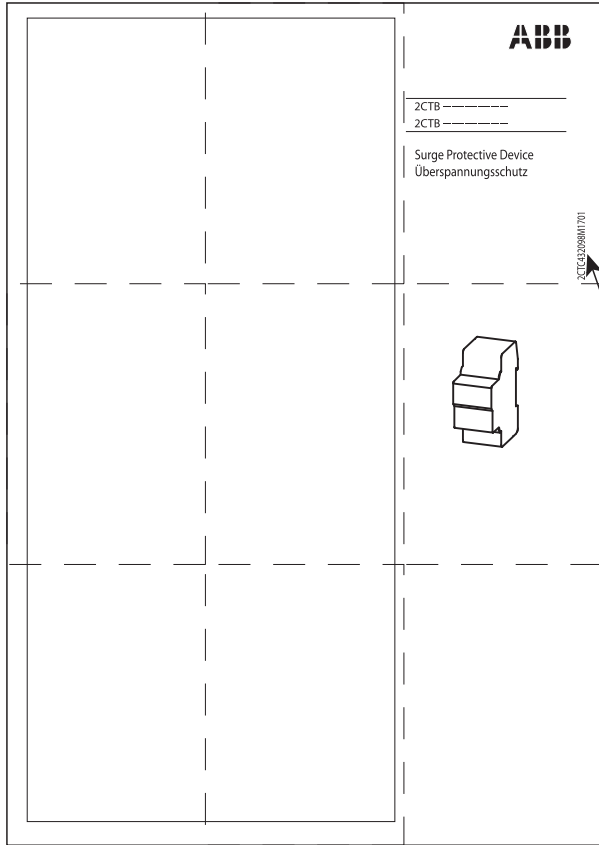


Recto



**ABB**

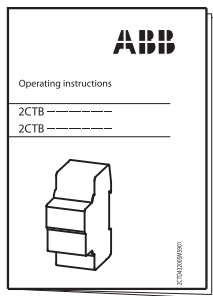
2CTB -----  
2CTB -----

Surge Protective Device  
Überspannungsschutz

2CTC432106M1701



2CTC432106M1701



Pliage

Change3 :  
Change2 :  
Change1 : ECN000026884 indA --> Création

Masse Mass (g) :	Vol. (mm3) :	Trait Surf : Impression Recto / Verso Noir sur fond blanc
surface mm <sup>2</sup> :	Finish. :	Tol gen :
		Article: 2CTB815775R0100 A

<p>FRANCE - Pôle Foudre 5203 Bagnères de Bigorre</p>	Modificateur/Changed by /	Date /	Control	<p>Matieral Papier blanc 70g/m<sup>2</sup> format A4</p>
	Dessinateur/Designer M.Claverie	Date 19/01/2015	Control	


**INSTRUCTION T2 QS RES ABB**


**NOTICE T2 QS RES ABB**


Etat/Status	Scale/ Ech.	Format	Folio
Released	1/1	A4	1/2
B81577501			Rev. A


The information contained in this document is to be kept strictly confidential. Any unauthorized use, reproduction, distribution or disclosure is strictly forbidden. ABB reserves all rights. © Copyright 2014 ABB. All rights reserved.  
Ce document est la propriété exclusive de notre société et est strictement confidentiel. Il ne peut être reproduit ou communiqué à des tiers sans notre autorisation écrite. Modifiable uniquement en CAO.


## 2CTB 8157\_\_ R \_\_

 Attention! Hazardous voltage!  
Installation by person with  
electrotechnical expertise only.

 Warnung! Installation nur durch  
elektrotechnische Fachkraft.

 Avvertenza! Fare installare solo  
da un elettricista qualificato.

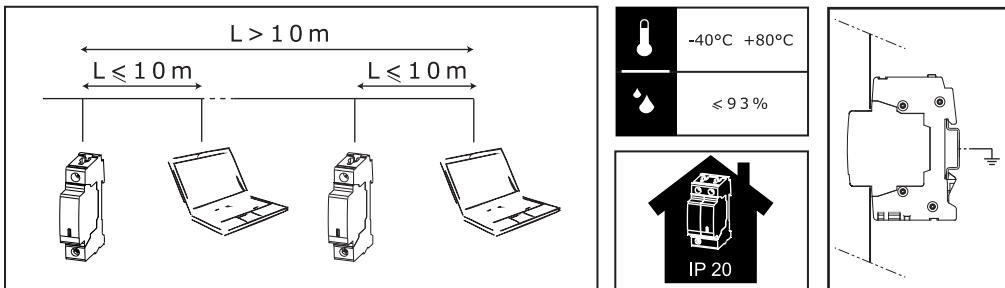
 Avertissement! Installation  
uniquement par des personnes  
qualifiées en électrotechnique.

 ¡Advertencia! La instalación  
deberá ser realizada  
únicamente por electricistas  
especializados.

Parafoudre  
Surge Protective Device  
Überspannungsableiter  
Scaricatore di sovratensioni  
Pararrayo  
Proteção contra sobretensões  
Skydd mot överspänningar  
Защита от перенапряжений

2CTC432106M1701

I <sub>SCCR</sub>	I <sub>max</sub>	I <sub>n</sub> (N-PE*)	I <sub>PE</sub> (L-PE)	I <sub>PE</sub> (N-PE)	Type
100 kA a.c.	40 or 80 kA	100 A a.c.	< 1000 µA	≤ 10 µA	OVR T2 ... : Type 2 / Class II IEC 61643-11 / EN 61643-11



OVR T2 XX-275s P (TS) QS  
OVR T2 XX-440s P (TS) QS



OVR T2 N XX-275s P QS  
OVR T2 N XX-440s P QS



OVR T2 1N XX-275s P (TS) QS  
OVR T2 N1 XX-275s P (TS) QS  
OVR T2 1N XX-440s P (TS) QS  
OVR T2 N1 XX-440s P (TS) QS



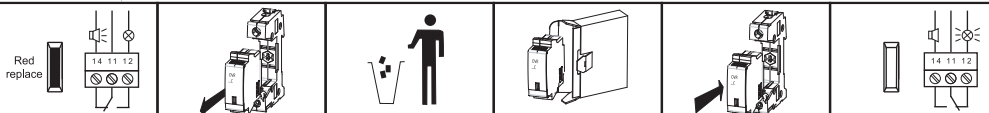
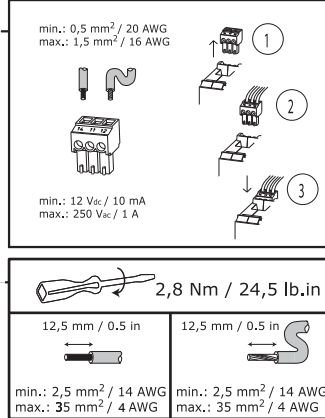
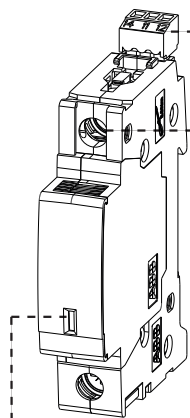
OVR T2 3N XX-275s P (TS) QS  
OVR T2 N3 XX-275s P (TS) QS  
OVR T2 3N XX-440s P (TS) QS  
OVR T2 N3 XX-440s P (TS) QS



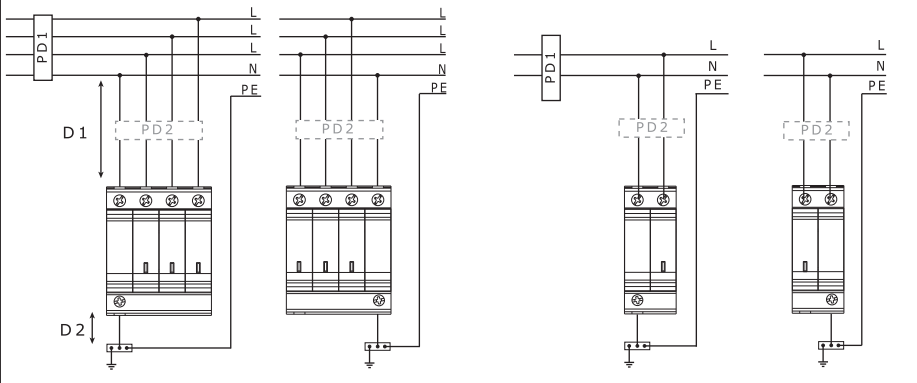
OVR T2 3L XX-275s P (TS) QS  
OVR T2 3L XX-440s P (TS) QS



OVR T2 4L XX-275s P (TS) QS  
OVR T2 4L XX-440s P (TS) QS

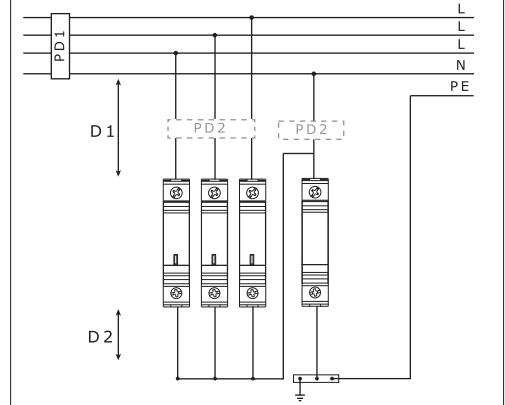


# TT-TNS



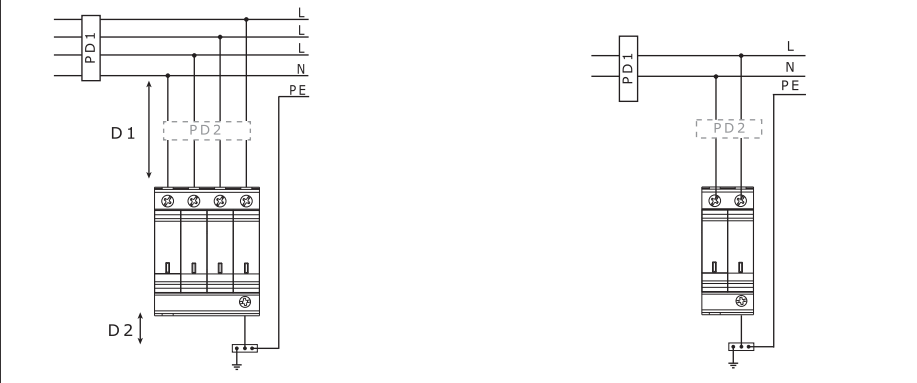
\* I<sub>n</sub>: N-PE

230/400V +/- 10%	OVR T2 N3 XX-275s P (TS) QS	OVR T2 3N XX-275s P (TS) QS	OVR T2 N1 XX-275s P (TS) QS	OVR T2 1N XX-275s P (TS) QS
400/690V +/- 10%	OVR T2 N3 XX-440s P (TS) QS	OVR T2 3N XX-440s P (TS) QS	OVR T2 N1 XX-440s P (TS) QS	OVR T2 1N XX-440s P (TS) QS

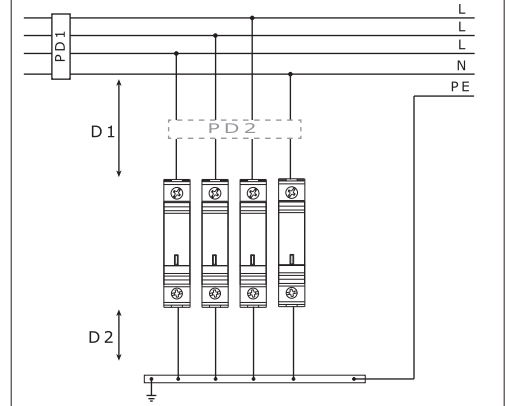


OVR T2 XX-275s P (TS) QS	OVR T2 N XX-275s P QS
OVR T2 XX-440s P (TS) QS	OVR T2 N XX-440s P QS

# TNS

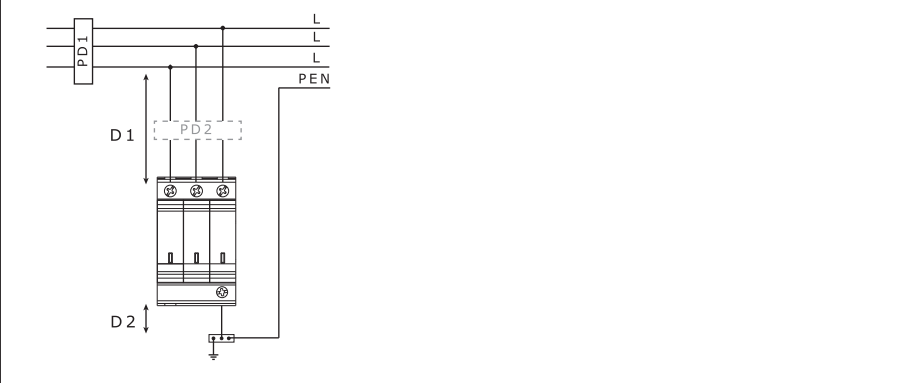


230/400V +/- 10%	OVR T2 4L XX-275s P (TS) QS	OVR T2 2L XX-275s P (TS) QS
400/690V +/- 10%	OVR T2 4L XX-440s P (TS) QS	OVR T2 2L XX-440s P (TS) QS

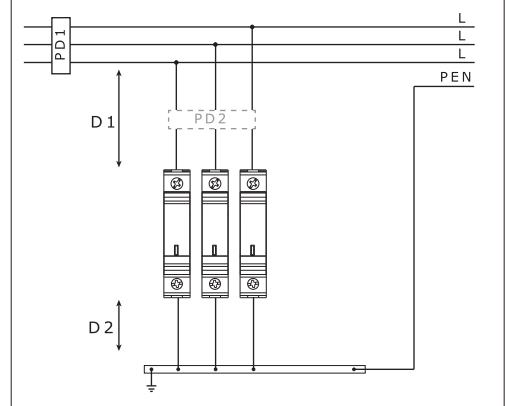


OVR T2 XX-275s P (TS) QS
OVR T2 XX-440s P (TS) QS

# TNC

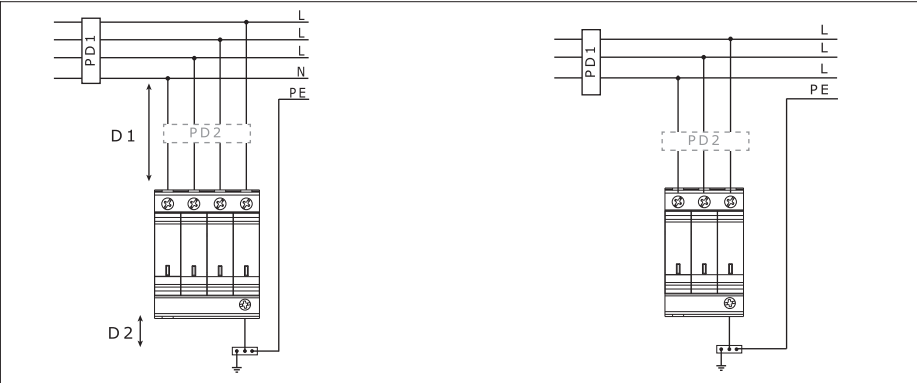


230/400V +/- 10%	OVR T2 3L XX-275s P (TS) QS
400/690V +/- 10%	OVR T2 3L XX-440s P (TS) QS

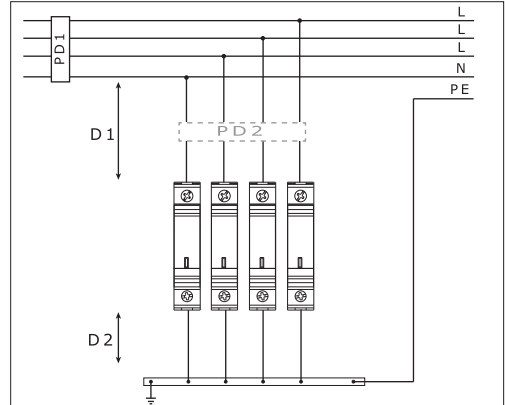


OVR T2 XX-275s P (TS) QS
OVR T2 XX-440s P (TS) QS

# IT



230/400V +/- 10%	OVR T2 4L XX-440s P (TS) QS	OVR T2 3L XX-440s P (TS) QS
400/690V +/- 10%		



OVR T2 XX-440s P (TS) QS
--------------------------

PD1-PD2

PD1 ≤ 160A → ~~PD2~~  
 PD1 > 160A → PD2 ≤ 160A

D1-D2

D1 + D2 ≤ 50cm