

Plug

PowerTOP Xtra R

Part Number: 13606



MENNEKES

Elektrotechnik GmbH & Co. KG
Aloys-Mennekes-Straße 1
57399 KIRCHHUNDEM GERMANY
www.MENNEKES.org

Product Description

- screw connection technology ErgoCONTACT
- ergonomic enclosure design with nubbed grip zones
- highly heat resistant contact carrier
- nickel plated contacts
- rubberised cable gland with sealing
- strain relief and protection against kinking
- thread lock and safety slide
- area for self-adhesive labels

Technical Details

Plug - PowerTOP Xtra R	13606
Product series	PowerTOP Xtra R
Ampere	32A
UL-Ampere	13606
Number of Poles	4p
Clock position	5h
Voltage	600-690V
Hertz	50-60 Hz
Current Type	AC
Protection Type	IP54
Contact carrier	Nickel plated contacts Highly heat resistant contact carrier
Pilot contact	Without pilot contact
Connection	Screw terminals - ErgoCONTACT
Screw drive contact screw	Combination head screw (PZ2 and slotted)
Phase inverter plugs	Without phase inverter

Conductor cross-section min.	2,5 mm ²
Conductor cross-section max.	6 mm ²
Cable kink protection	Integrated in cable gland
Protective grommet	Without protective grommet
Protective cap	Without protective cap
EAN / Identification number	4015394305484

Permissible ambient conditions

Permanent ambient temperature min. - max.	-25 °C - +40 °C
---	-----------------

Material properties

Cover	PA6 similar RAL 7000 squirrel grey
Front part	PA6 similar RAL 9005 black

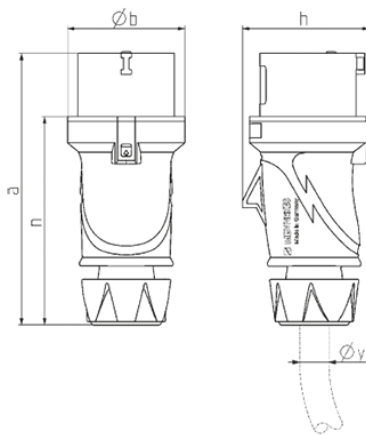
Material resistance

The material resistance overview can be found on the website in the section "Knowledge" → "Product knowledge" → "Materials"

Regulations and Standards

RoHS 2011/65/EU incl. 2015/863/EU	✓
POP Regulation (EU) 2019/1021	✓
Norm(s)	IEC 60309-2
Declaration of conformity	CE
Certification	-

Dimensional drawing



Zeichnung	Amp. Pole	16			32		
		3	4	5	3	4	5
2 MB 253							
Maße in mm	a	154	163	163	196	196	196
	b	55	68	68	78	78	78
	h	58	70	74	81	81	86
	n	118	126	126	151	151	151
y von		7	8	8	10,5	10,5	13,5
bis max. mm		-13	-15,5	-15,5	-18	-18	-20
Klemmen für Leiterquer-		1	1	1	2,5	2,5	2,5
schnitt von bis mm ²		-2,5	-2,5	-2,5	-6	-6	-6