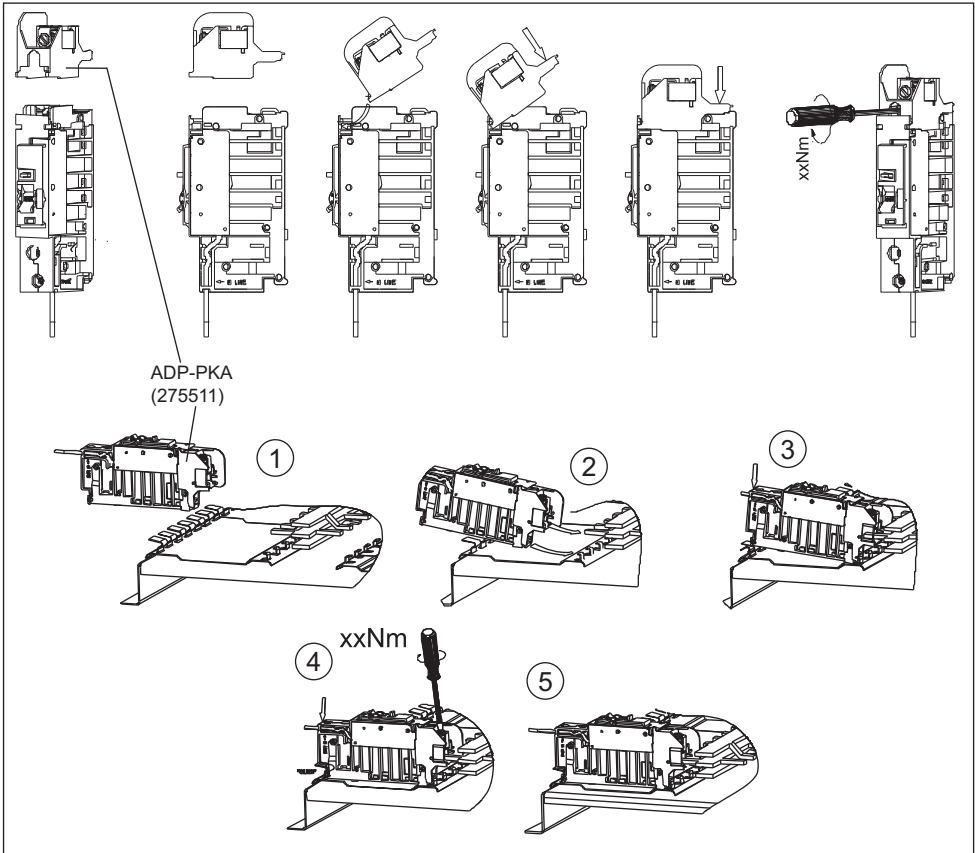


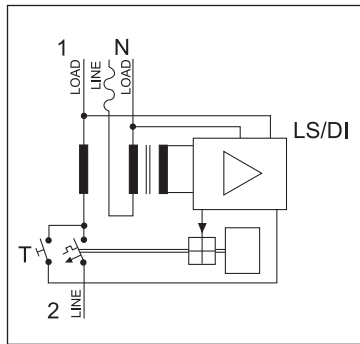
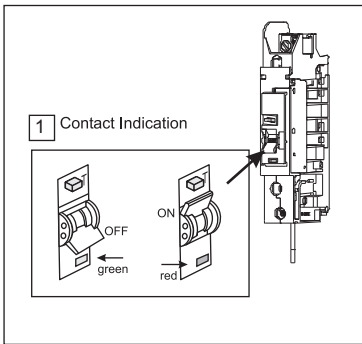
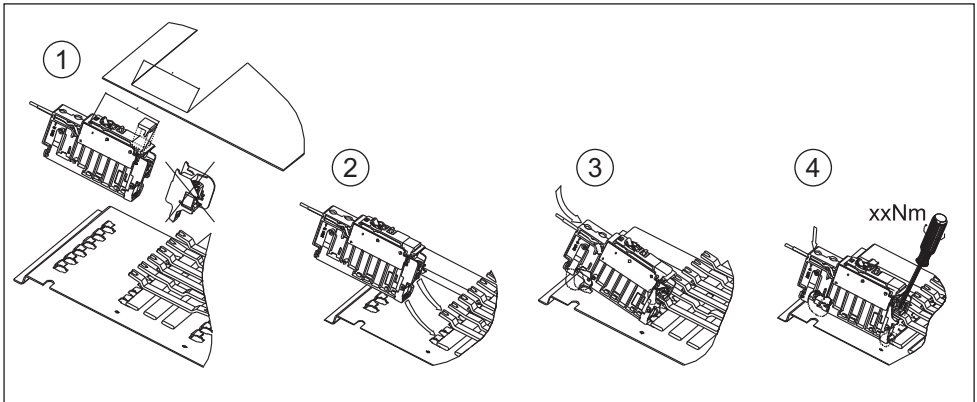
XLQ

DI/LS-RCBO (electronic) - PT (940mm)

For Heinemann metal load boards



For Cutter-Hammer boards



2 Rest regulary RCBO must tripp

green	Verde	red	Vermelho
grün	zielony	rot	czerwony
vert	grön	rouge	röd
zelený	Vihreä	červený	Punainen
Grøn	yeşil	Röd	kırmızı
Verde	Verde	Rojo	Rosu
zöld	зеленый	vörös	красный
verde	prásvivo	rosso	оккво
Grønn	綠色	Röd	紅色
groen	أخضر:	rood	أحمر:

OFF

ON

\triangle_{25} Δ -25°C - +40°C:



Rated current I_n (A)	6	8	10	13	16	20	25	32	40
40°C	6.0	8.0	10.0	13.0	16.0	20.0	25.0	32.0	40.0
45°C	5.5	7.4	9.2	12.0	14.7	18.4	23.0	29.4	36.8
50°C	4.9	6.6	8.2	9.8	13.1	16.4	20.5	24.1	32.8
55°C	4.3	5.7	7.1	7.0	11.4	14.2	17.8	17.1	28.4