

2CCR183301B0001

## ZLS25X, ZLS95X

### Montageanleitung, Einspeiseelement 200A

### Notice de montage, Élément d'alimentation 200A

### Mounting instruction, Incoming Terminal Block oversize 200A

### Introduzione Montaggio, Elemento d'alimentazione 200A



#### Avertissement

Le non-respect des présentes instructions peut entraîner la mort, des blessures corporelles ou des dégâts matériels. L'appareil doit uniquement être installé par une personne qualifiée. Coupez l'alimentation électrique principale avant de commencer l'installation.

#### Sécurité

Utiliser exclusivement les barres collectrices à surface améliorée de ABB. Ne procéder à aucune sorte de réparation sur le système de socle d'enfichage.

#### Élimination

Les appareils défectueux sont à éliminer en tant que déchets spéciaux sur les lieux de collecte prévus à cet effet. Respecter les prescriptions nationales ou régionales.

#### Warning

Failure to follow these instructions could result in death, personal injury or property damage. The device should be installed by a qualified person only. Turn off power at the main power supply before beginning installation.

#### Safety

Only the surface-coated bus bars from ABB may be used. Do not attempt to repair a damaged plug-in socket system. Replace damaged components with new components.

#### Disposal

Faulty products should be treated as hazardous waste and disposed of in an appropriate manner. National or regional regulations regarding the disposal of hazardous waste should be adhered to.

#### Warnung

Nichtbefolgung dieser Hinweise kann zu tödlichen Verletzungen oder zu Sachschäden führen. Das Gerät darf nur von einer elektrotechnisch unterwiesenen Person installiert werden. Vor Beginn der Installation ist die Netzspannungszufuhr abzuschalten.

#### Sicherheit

Es dürfen ausschliesslich die oberflächenveredelten Sammelschienen von ABB verwendet werden. Am Stecksocket-System dürfen keine Reparaturen vorgenommen werden.

#### Entsorgung

Defekte Geräte sind als Sondermüll an entsprechend eingerichteten Sammelstellen zu entsorgen. Nationale oder regionale Vorschriften über die Entsorgung von Sondermüll sind zu befolgen.

**WARNING**

**HAZARD OF EQUIPMENT DAMAGE**

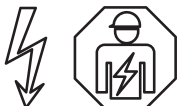
- Use only material manufactured by ABB.
- Not following these instructions might result in severe injuries or death or equipment damage.
- This product is NOT suitable for use in installation equipment any other than the SMISSLINE SYSTEM.
- ABB doesn't assume responsibility for any consequences arising out of the use of this equipment

**WARNING**

**HAZARD OF ELECTRIC SHOCK, INJURY, BURN OR EXPLOSION**

- Make sure ALL electrical power supplies are "OFF" before installing or removing any devices or busbars.
- The Incoming Terminal block and component MUST ONLY be installed and serviced by QUALIFIED personnel.
- Always use properly rated voltage sensing device to confirm the power is off.
- All devices, doors and covers must be replaced before switching on the power to this equipment

D Technische Daten	F Caractéristiques techniques	USA GB Technical data	I Dati tecnici
<b>IEC</b>	<b>IEC</b>	<b>IEC</b>	<b>IEC</b>
<ul style="list-style-type: none"> <li>• Einspeiseelement: Bemessungsspannung:</li> </ul>	<ul style="list-style-type: none"> <li>• Élément d'alimentation: Tension nominale max.:</li> </ul>	<ul style="list-style-type: none"> <li>• Incoming Terminal Block, oversize: Rated Voltage:</li> </ul>	<ul style="list-style-type: none"> <li>• Elemento d'alimentazione: Tensione nominale:</li> </ul>
<ul style="list-style-type: none"> <li>• Bemessungsstrom:</li> </ul>	<ul style="list-style-type: none"> <li>• Intensité nominale max.:</li> </ul>	<ul style="list-style-type: none"> <li>• Rated Current:</li> </ul>	<ul style="list-style-type: none"> <li>• Corrente nominale:</li> </ul>
<ul style="list-style-type: none"> <li>• Klemme:</li> </ul>	<ul style="list-style-type: none"> <li>• Borne:</li> </ul>	<ul style="list-style-type: none"> <li>• Terminal:</li> </ul>	<ul style="list-style-type: none"> <li>• Morsetto:</li> </ul>
			690 VAC 200 A Single: 10-95 mm <sup>2</sup> Multiple: (2x) 10-25 mm <sup>2</sup> , with cables of same type and size Tightening torque: ZLS250-253 2,5 Nm; ZLS954, ZLS959 2,0 Nm, Cover 1,2 Nm



**Warning! Installation by person with electrotechnical expertise only.**

**Warnung! Installation nur durch elektrotechnische Fachkraft.**

**Avvertenza! Fare installare solo da un elettricista qualificato.**

**Avertissement! Installation uniquement par des personnes qualifiées en électrotechnique.**

**¡Advertencia! La instalación deberá ser realizada únicamente por electricistas especializados.**

**Montage** (D)

Die Abisolierlänge der Kabelisolation beträgt 21 mm.  
Die Kabelisolation darf nicht unterklemmt werden.  
Fig. 1

**Demontage**

Fig. 2

**Einspeisebeispiele SMISSLINE 125A System**

Fig. 3-5

**Einspeisebeispiele SMISSLINE 250A Power Bar System**

Fig. 6-8

**Montage sur les socles** (F)

La longueur de dénudage de l'isolant du câble est de 21 mm. L'isolation du câble ne doit pas être coincée.  
Fig. 1

**Démontage**

Fig. 2

**Exemples d'alimentation SMISSLINE 125A Système**

Fig. 3-5

**Exemples d'alimentation SMISSLINE 250A Power Bar Système**

Fig. 6-8

**Assembly** (USA) (GB)

The stripping length of the cable insulation is 21 mm.  
The insulation must not be trapped into the terminal.  
Fig. 1

**Disconnection**

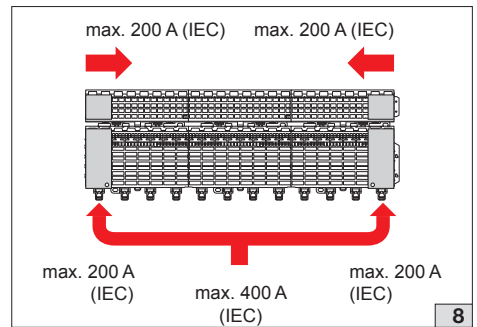
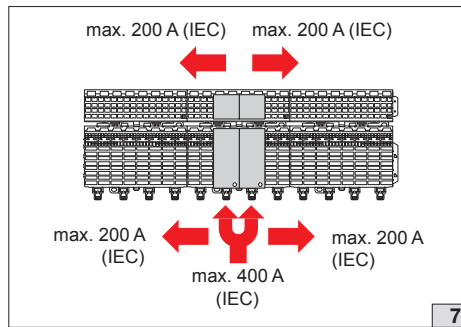
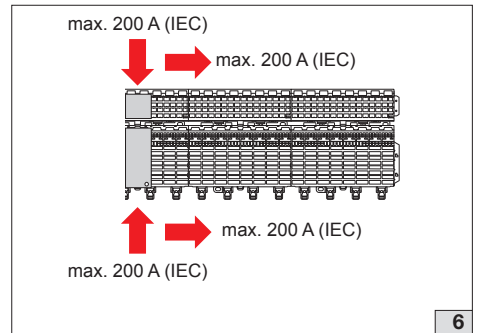
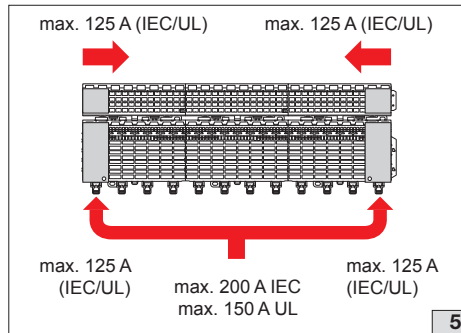
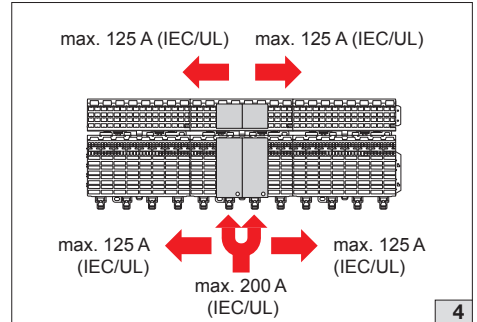
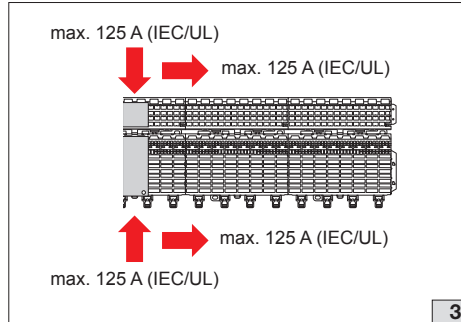
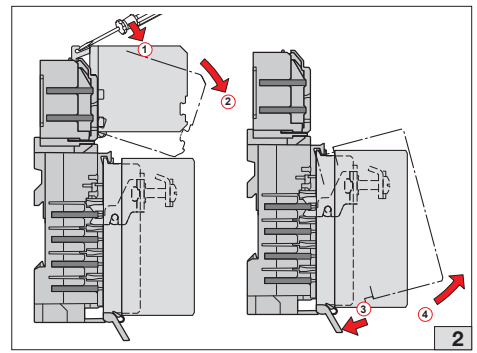
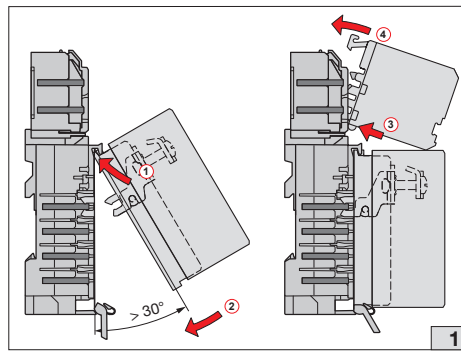
Fig. 2

**Supply variants SMISSLINE 125A System**

Fig. 3-5

**Supply variants SMISSLINE 250A Power Bar System**

Fig. 6-8



**UL data**

<b>For all types:</b>	
<b>Feeder Blocks cat. nos. ZLS250 – ZLS253, ZLS954UL, ZLS959UL are suitable for use in feeder circuits up to 600V</b>	
Wire required to be fixed 2 inches (50.0 mm) below entry point of component housing by suitable cable ties	
Rated Voltage:	600VAC
Short Circuit Rating:	50kA, max. 480VAC and 480Y/277V and 240VAC
Short Circuit Protection:	150A Fuse or Circuit-Breaker (DIVQ/7) with maximum rating of 250A, located at Line Side
Torque:	2.0Nm
Stripping length:	21 mm
Wire size:	2 AWG - 1/0 AWG
Wire rated min. 600V and 75 °C (AVLV2/8)	

**ABB Schweiz AG**

Fulachstrasse 150  
8200 Schaffhausen, Switzerland  
Phone: +41 58 586 41 11  
Fax: +41 58 586 42 22  
www.abb.com

**ABB Inc.**

305 Gregson Dr  
Cary, NC 27511  
Phone: +1 919 856 2360

