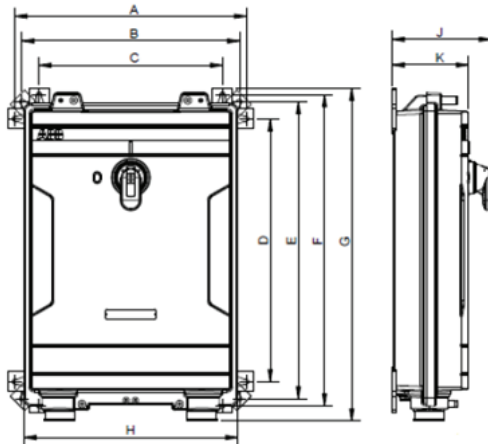


Aluminum enclosed safety switch/switch-disconnector OTA125-600, OKA125-600

Installation instruction

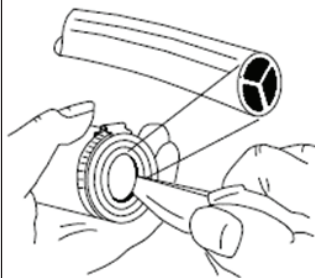
1



Type	A	B	C	D	E	F	G	H	J	K
OTA/OKA125-160	459	431	364	519	586	614	656	425	196	152
OTA/OKA200-400	519	491	424	615	682	710	752	485	208	162
OTA/OKA600	619	591	524	752	819	847	890	585	251	205

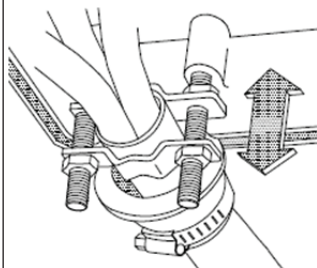
Product dimensions and fixing dimensions.

2



Cut holes according to cable size in cable glands.

3



Cable position to be adjusted and tightened with cable clamps.

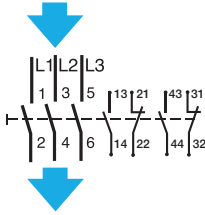
4



M8
4,0 Nm

The red shock absorbers shall not be removed or replaced with any other parts. Damaged pipes must be replaced.

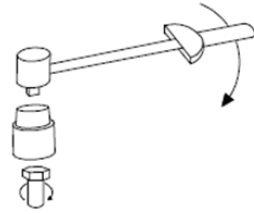
5



OTA/OKA125-160 / 1NO+1NC
OTA/OKA200-600 / 2NO+2NC

Wiring diagram for OTA/OKA125-600.

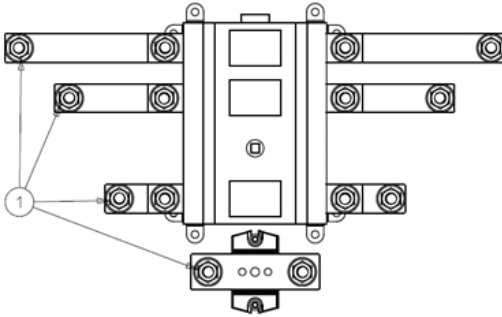
6



1	OTA/OKA125-160	M8	22 Nm
1	OTA/OKA200-400	M10	45 Nm
1	OTA/OKA600	M12	77 Nm

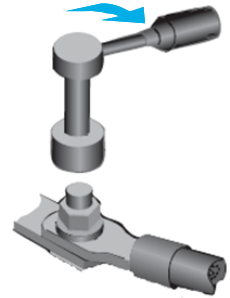
Tightening torques.

7



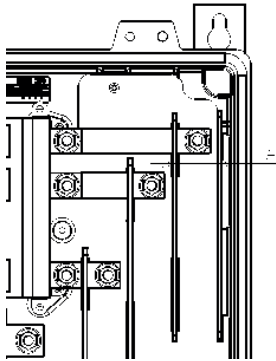
OTA/OKA125-600 connection bar mounting.

8



Connection bar lugs can be mounted only on top of connection bars.

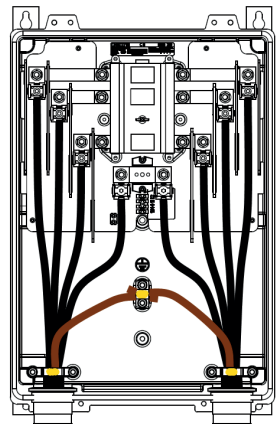
9



A	OTA/OKA125-160	32 mm
A	OTA/OKA200-400	36 mm
A	OTA/OKA600	41 mm

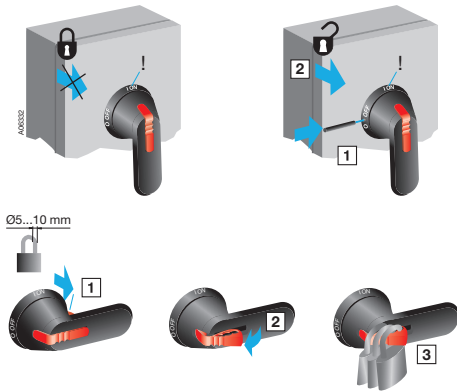
Connection bar lug maximum space.

10



EMC cable coupling. Grounding points marked with yellow.

11



Handles lockable in OFF-position. Handles lockable in ON-position are available on request.

12

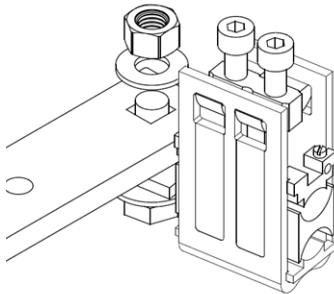
OZXB-types that fit

OTA/OKA125-160	OZXB2L	OZXB8	OZXB9
OTA/OKA200-400	OZXB9		
OTA/OKA600	OZXB4*		

List of OZXB connection terminal types compatible with OTA/OKA types.

13

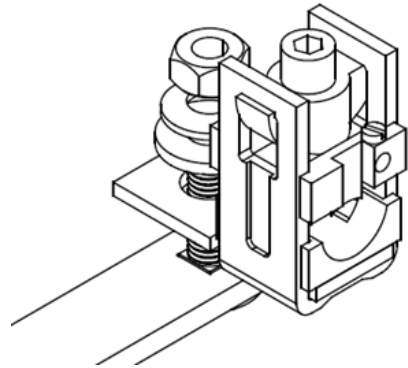
Pay special attention!



*OTA/OKA 600 OZXB4 mountable under connection bars only for clearance to enclosure cover.

Standard M12 hex bolt must be used when mounting terminal under connection bar.

14



OTA/OKA 125-400 OZXB_ mountable on top of connection bars with provided lock bolts.



BG	Внимание! Опасно напрежение! Да се монтира само от лице с електротехническа квалификация.
CN	警告！电压危险！只能由专业电工进行安装。
CZ	Varování! Nebezpečné napětí! Montáž smí provádět výhradně elektrotechnik!
DA	Advarsel! Farlig elektrisk spænding! Installation må kun foretages af personer med elektroteknisk ekspertise.
DE	Warnung! Gefährliche Spannung! Installation nur durch elektrotechnische Fachkraft.
EL	Προειδοποίηση! Υψηλή τάση! Η εγκατάσταση πρέπει να γίνεται μόνο από εξειδικευμένους ηλεκτροτεχνικούς.
EN	Warning! Hazardous voltage! Installation by person with electrotechnical expertise only.
ES	¡Advertencia! ¡Tensión peligrosa! La instalación deberá ser realizada únicamente por electricistas especializados.
ET	Hoiatus! Ohtlik pinge. Paigaldada võib ainult elektrotehnika-alane ekspert.
FI	Varoitus! Vaarallinen jännite! Asennuksen voi tehdä vain sähköalan ammattihenkilö.
FR	Avertissement! Tension électrique dangereuse! Installation uniquement par des personnes qualifiées en électrotechnique.
HR	Upozorenje! Opasan napon! Postavljati smije samo elektrotehnički stručnjak.
HU	Figyelmeztetés! Veszélyes feszültség! Csak elektrotechnikai tapasztalattal rendelkező szakember helyezheti üzembe.
IE	Rabhadh! Voltas guaiseach! Ba chóir do dhuine ag a bhfuil saineolas leictreiciúil, agus an té sin amháin, é seo a shuiteáil.
IT	Avvertenza! Tensione pericolosa! Fare installare solo da un elettricista qualificato.
LT	Dėmesio! Pavojinga įtampa! Dirbti leidžiama tik elektrotechniko patirties turintiems asmenims.
LV	Uzmanību! Bīstami - elektrība! Montāžas darbus drīkst veikt tikai personas, kurām ir atbilstošas elektrotehniskās zināšanas.
MT	Twissija! Vultaġġ perikoluż! Għandu jiġi installat biss minn persuna b'kompetenza elettroteknika.
NL	Waarschuwing! Gevaarlijke spanning! Mag alleen geïnstalleerd worden door een deskundige elektrotechnicus.
NO	Advarsel! Farlig spenning! Montering skal kun utføres av kvalifiserte personer med elektrokompetanse.
PL	Ostrzeżenie! Niebezpieczne napięcie! Instalacji może dokonać wyłącznie osoba z fachową wiedzą w dziedzinie elektrotechniki.
PT	Aviso! Tensão perigosa! A instalação só deve ser realizada por um electricista especializado.
RO	Avertizare! Tensiune periculoasă! Instalarea trebuie efectuată numai de către o persoană cu experiență în electrotehnică.
RU	Осторожно! Опасное напряжение! Монтаж должен выполняться только специалистом-электриком.
SE	Varning! Farlig spänning! Installation får endast utföras av en elektriker.
SK	Varovanie! Nebezpečné napätie! Montáž môže vykonávať iba skúsený elektrotechnik.

34OTA-OKA125-600 rev. D / 15CC340167M0203 # 03.02.2025

For more information please contact:

ABB Oy
Muottitie 2A, 65320 Vaasa, Finland
new.abb.com/low-voltage