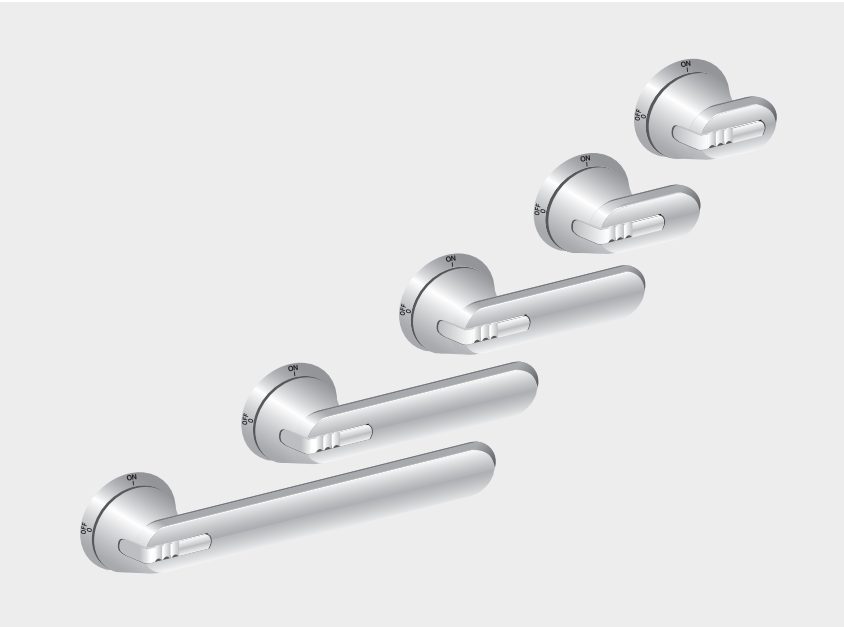


—
INSTALLATION INSTRUCTION

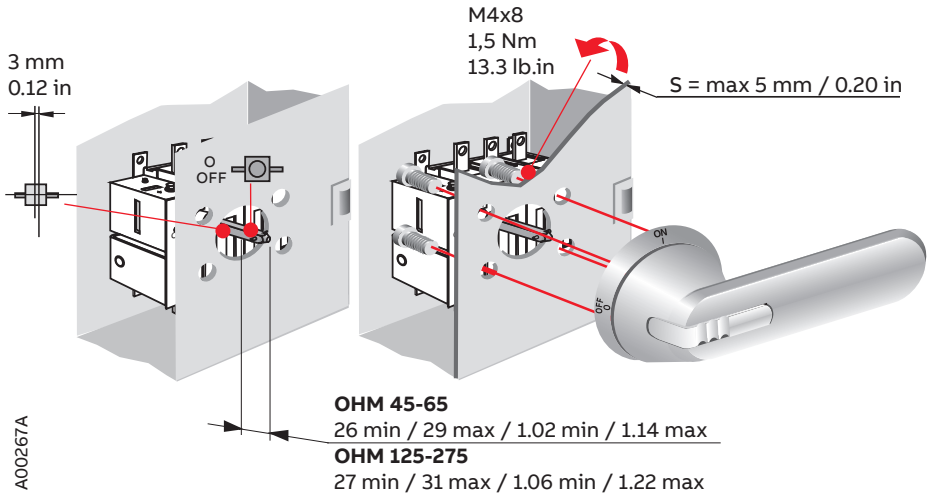
Handles

OHM_



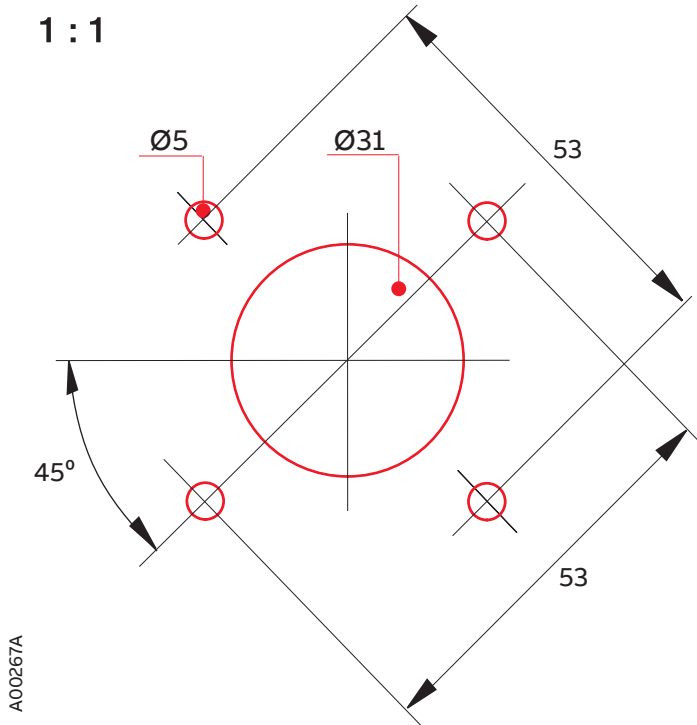
Label should be affixed to the rear mounting surface immediately adjacent the handle after installation.

OHM45-65

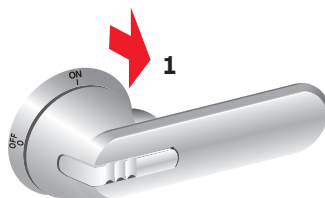
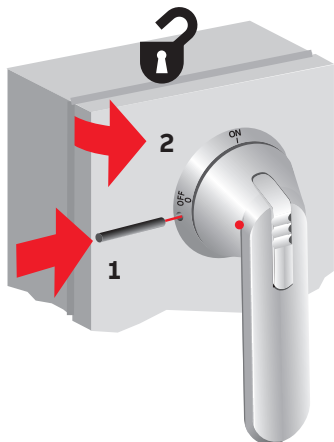




Drilling holes

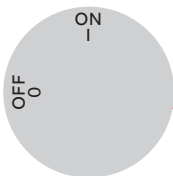


OHM_45...275_

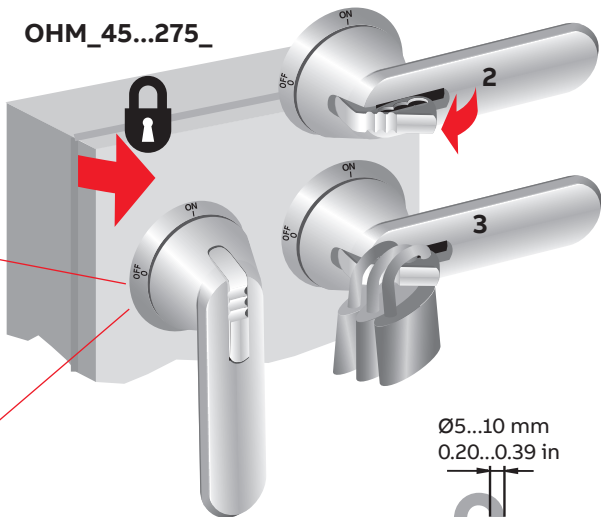
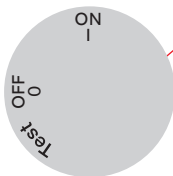


OHM_45...275_

OHM_45...275_



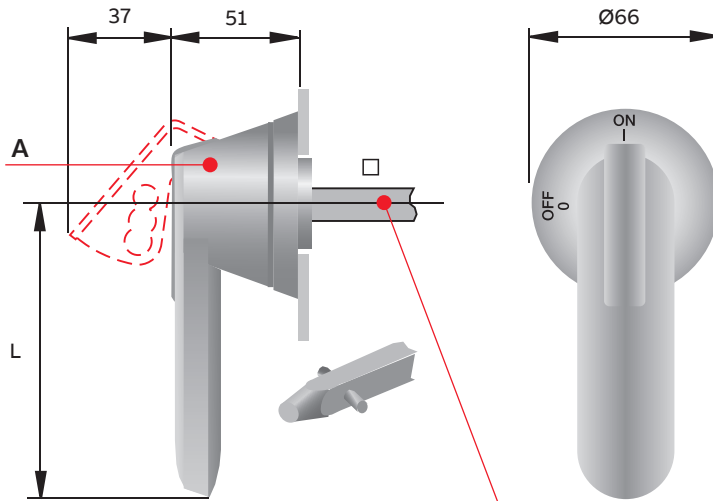
OHM_45...275_T



Ø5...10 mm
0.20...0.39 in



OHM_45...275_



A00268A

A	L	□
OHM 45J6	45	6
OHM 65J6	65	6
OHM 125J12	125	12
OHM 175J12	175	12
OHM 275J12	275	12



Contact us

ABB Oy

Muottitie 2A 65320

Vaasa, Finland

abb.com/lowvoltage