

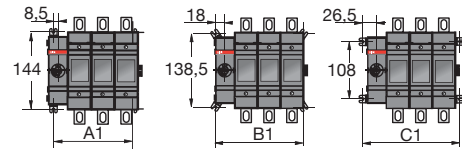
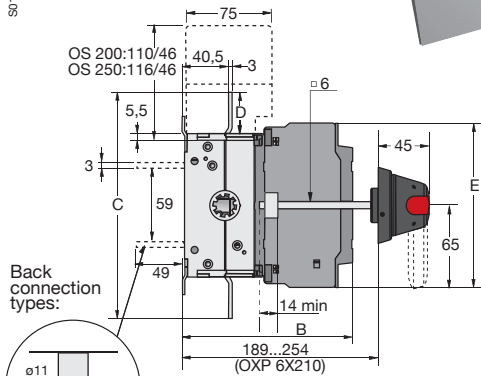
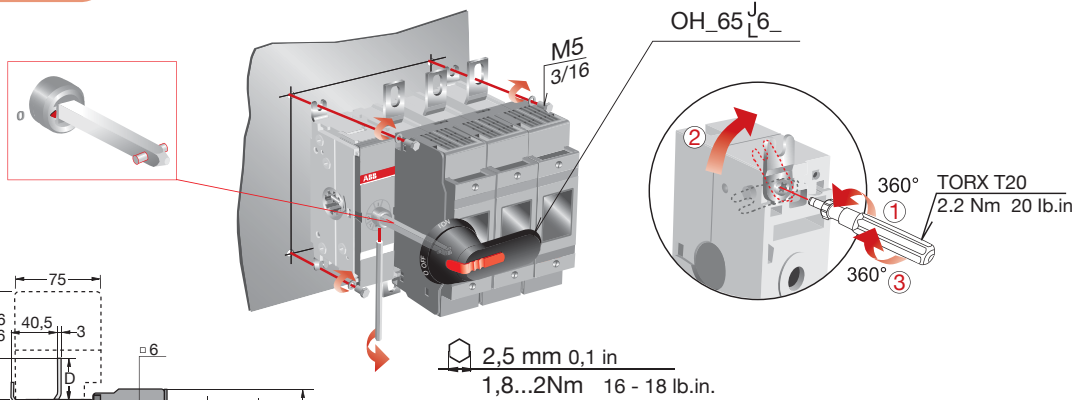
# OS200-250

1SCC311012M0011

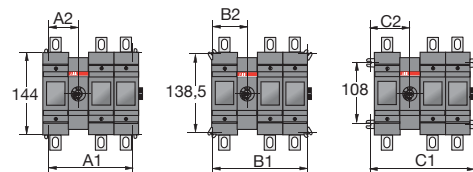
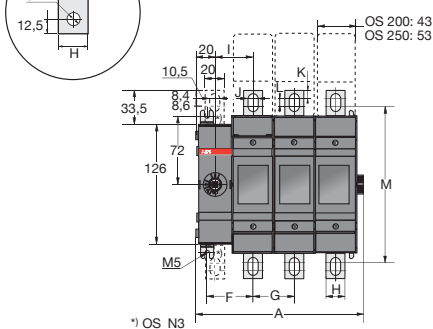
Document no. 34OS200-250 K

## OS200-250\_

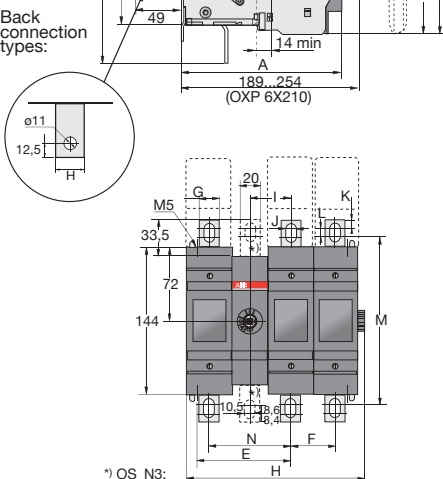
501716A



		OS200								OS250			
		D01	B01	D02	B02	D03	B03	D04	B04	D01/B01	D02/B02	D03/B03	D04/B04
A	89.5	89.5	133	133	176.5	176.5	220	220	99.5	153.5	207.5	261.5	
B	149	130	149	130	149	130	149	130	154	154	154	154	
C	198.5	198.5	198.5	198.5	198.5	198.5	198.5	198.5	193	193	193	193	
D	36.5	36.5	36.5	36.5	36.5	36.5	36.5	36.5	33.5	33.5	33.5	33.5	
E	144.5	144.5	144.5	144.5	144.5	144.5	144.5	144.5	148.5	148.5	148.5	148.5	
F	48.5	48.5	48.5	48.5	48.5	48.5	48.5	48.5	53.5	53.5	53.5	53.5	
G	-	-	43.5	43.5	43.5	43.5	43.5	-	54	54	54	54	
H	20	20	20	20	20	20	20	20	25	25	25	25	
I	40	40	40	40	40	40	40	40	45	45	45	45	
J	10	10	10	10	10	10	10	10	11	11	11	11	
K	8.4	8.4	8.4	8.4	8.4	8.4	8.4	8.4	11.5	11.5	11.5	11.5	
L	8.6	8.6	8.6	8.6	8.6	8.6	8.6	8.6	4	4	4	4	
M	164.5	164.5	164.5	164.5	164.5	164.5	164.5	164.5	162	162	162	162	
A1	60.5	60.5	104	104	147.5	147.5	191	191	70.5	124.5	178.5	232.5	
B1	79.5	79.5	123	123	166.5	166.5	210	210	89.5	143.5	197.5	251.5	
C1	96.5	96.5	140	140	183.5	183.5	227	227	106.5	160.5	214.5	268.5	



		OS200						OS250					
		D11	B11	D12	B12	D13	B13	D22	B22	D11	D12	D13	D22
A	149	130	149	130	141	130	149	130	154	154	154	154	
B	199	199	199	199	199	199	199	199	193	193	193	193	
C	36.5	36.5	36.3	36.5	36.5	36.5	36.5	36.5	33.5	33.5	33.5	33.5	
D	144.5	144.5	144.5	144.5	144.5	144.5	144.5	144.5	148.5	148.5	148.5	148.5	
E	92	92	92	92	92	92	92	92	112.5	112.5	112.5	161	
F	43.5	43.5	43.5	43.5	43.5	43.5	43.5	43.5	54	54	54	54	
G	20	20	20	20	20	20	20	20	25	25	25	25	
H	132	132	175.5	175.5	219	219	219	219	152	206	260	260	
I	40	40	40	40	40	40	40	40	45	45	45	45	
J	10	10	10	10	10	10	10	10	11	11	11	11	
K	8.4	8.4	8.4	8.4	8.4	8.4	8.4	8.4	11.5	11.5	11.5	11.5	
L	8.6	8.6	8.6	8.6	8.6	8.6	8.6	8.6	4	4	4	4	
M	165	165	165	165	165	165	165	165	162	162	162	162	
N	80	80	80	80	80	80	80	80	90	90	90	90	
A1	104	104	147.5	147.5	191	191	191	191	124	178	232	232	
A2	52	52	52	52	52	52	52	95.5	95.5	62	62	116	
B1	123	123	166.5	166.5	210	210	210	210	143	197	251	251	
B2	61.5	61.5	61.5	61.5	61.5	61.5	61.5	105	71.5	71.5	71.5	125.5	
C1	140	140	183.5	183.5	227	227	227	227	160	214	268	268	
C2	70	70	70	70	70	70	113.5	113.5	80	80	80	134	

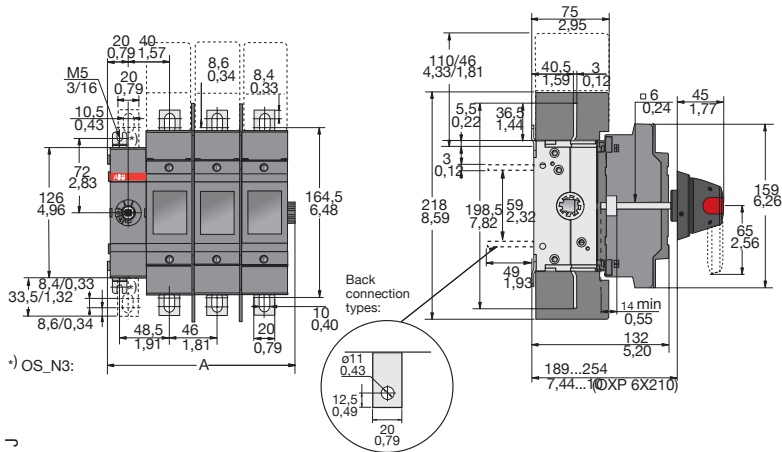


M00008/OS200\_250\_01\_04 K

M00014/OS200\_250\_11\_22 J

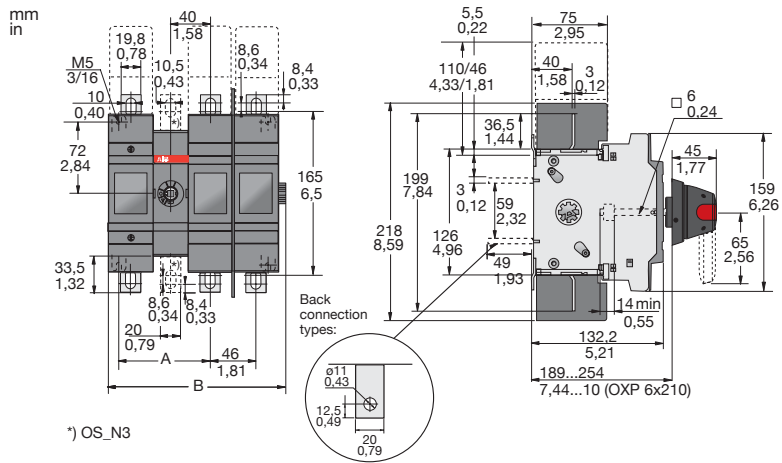
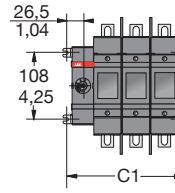
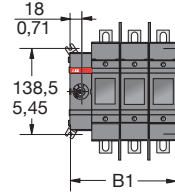
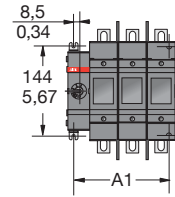
# OS200-250

## OS200\_J\_



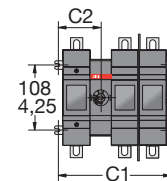
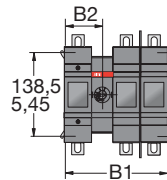
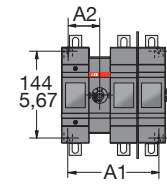
M00001/OS200J01\_04 J

OS200J01-04				
	OS200J01	OS200J02	OS200J03	OS200J04
	mm / in	mm / in	mm / in	mm / in
A	89,5 / 3,52	135,5 / 5,34	181,5 / 7,15	227,5 / 8,96
A1	60,5 / 2,38	106,5 / 4,19	152,5 / 6,00	198,5 / 7,82
B1	79,5 / 3,13	125,5 / 4,94	171,5 / 6,75	217,5 / 8,56
C1	96,5 / 3,80	142,5 / 5,61	188,5 / 7,42	234,5 / 9,23

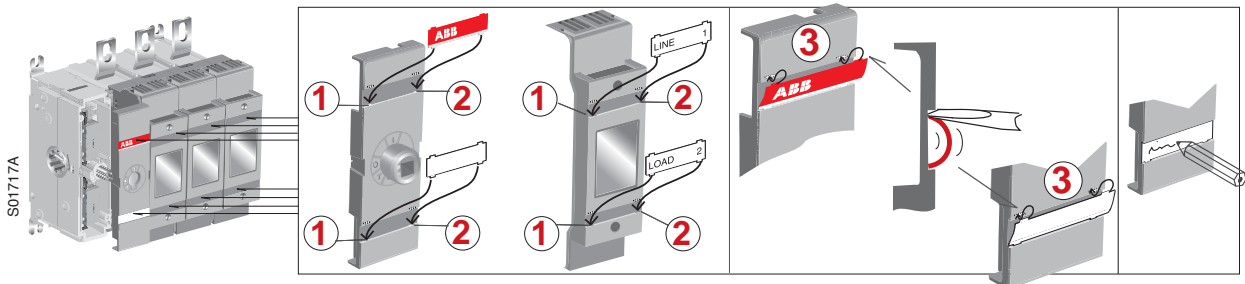


M00015/OS200J11\_22 K

OS200J11-22				
OS200				
	J11	J12	J13	J22
	mm / in	mm / in	mm / in	mm / in
A	92 / 3,12	92 / 3,62	92 / 3,62	138 / 5,43
B	132 / 5,20	178 / 7,01	224 / 8,82	224 / 8,82
A1	104 / 4,09	150 / 5,91	196 / 7,72	196 / 7,72
A2	52 / 2,05	52 / 2,05	52 / 2,05	98 / 3,86
B1	106 / 4,18	169 / 6,65	215 / 8,46	215 / 8,46
B2	61,5 / 2,42	61,5 / 2,42	61,5 / 2,42	107,5 / 4,23
C1	140 / 5,51	186 / 7,32	232 / 9,13	232 / 9,13
C2	70 / 2,76	70 / 2,76	70 / 2,76	116 / 4,57



## Label

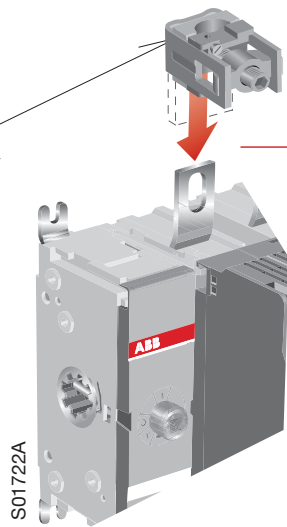


# OS200-250

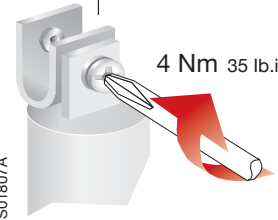
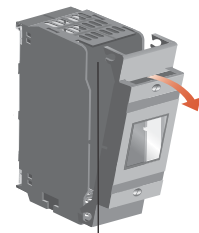
## OZX\_

OS200	OS250
OZXB1L	OZXB1L
OZXB2	OZXB2L
OZXB2L	OZXB3
OZXB8	OZXB4
	OZXB5
	OZXB7L
	OZXB8

OS200J
OZXA-200_
OZXA-206_

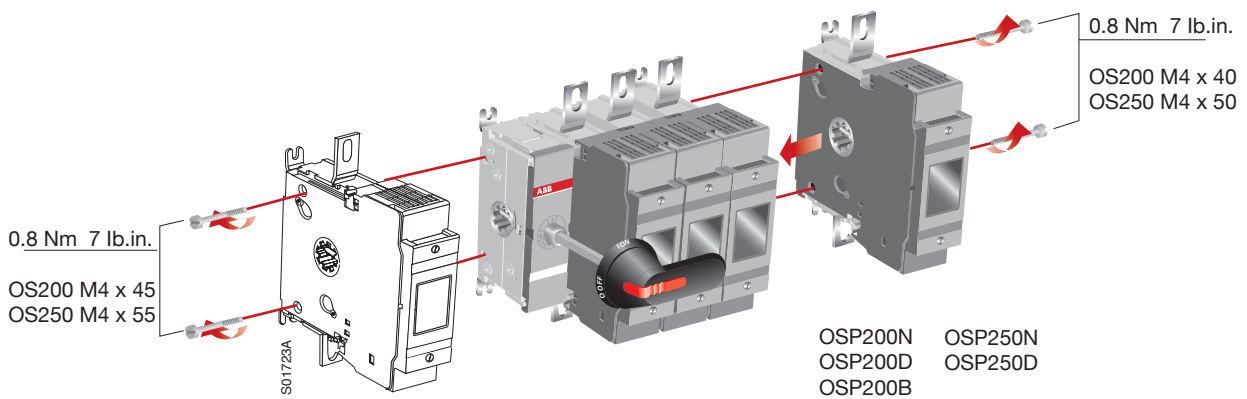


S01722A



S01807A

## OSP\_



0.8 Nm 7 lb.in.

OS200 M4 x 45  
OS250 M4 x 55

S01723A

0.8 Nm 7 lb.in.

OS200 M4 x 40  
OS250 M4 x 50

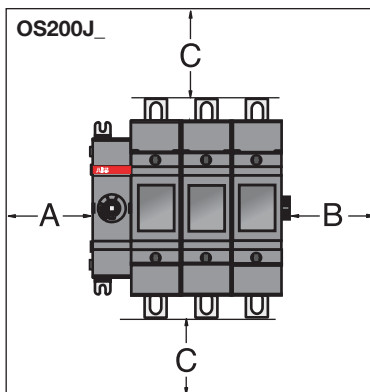
OSP200N OSP250N  
OSP200D OSP250D  
OSP200B

## Clearances per UL98

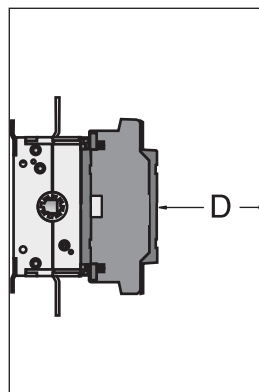
Minimum enclosure size  
or equivalent volume

Height	Width	Depth
600 mm	350 mm	200 mm
23,6 in	13,8 in	7,9 in

A	0
B	13 mm 0,5 in
D	13 mm 0,5 in



S01864

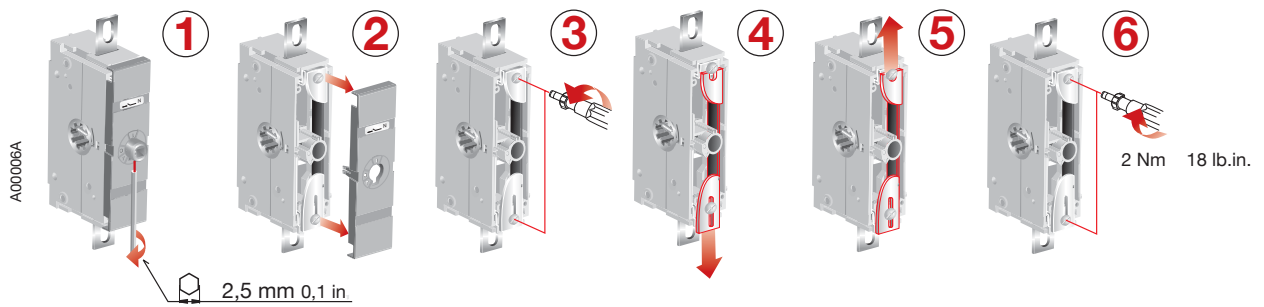


Cable size	
MCM	C
250	200 mm 8 in
300	250 mm 10 in

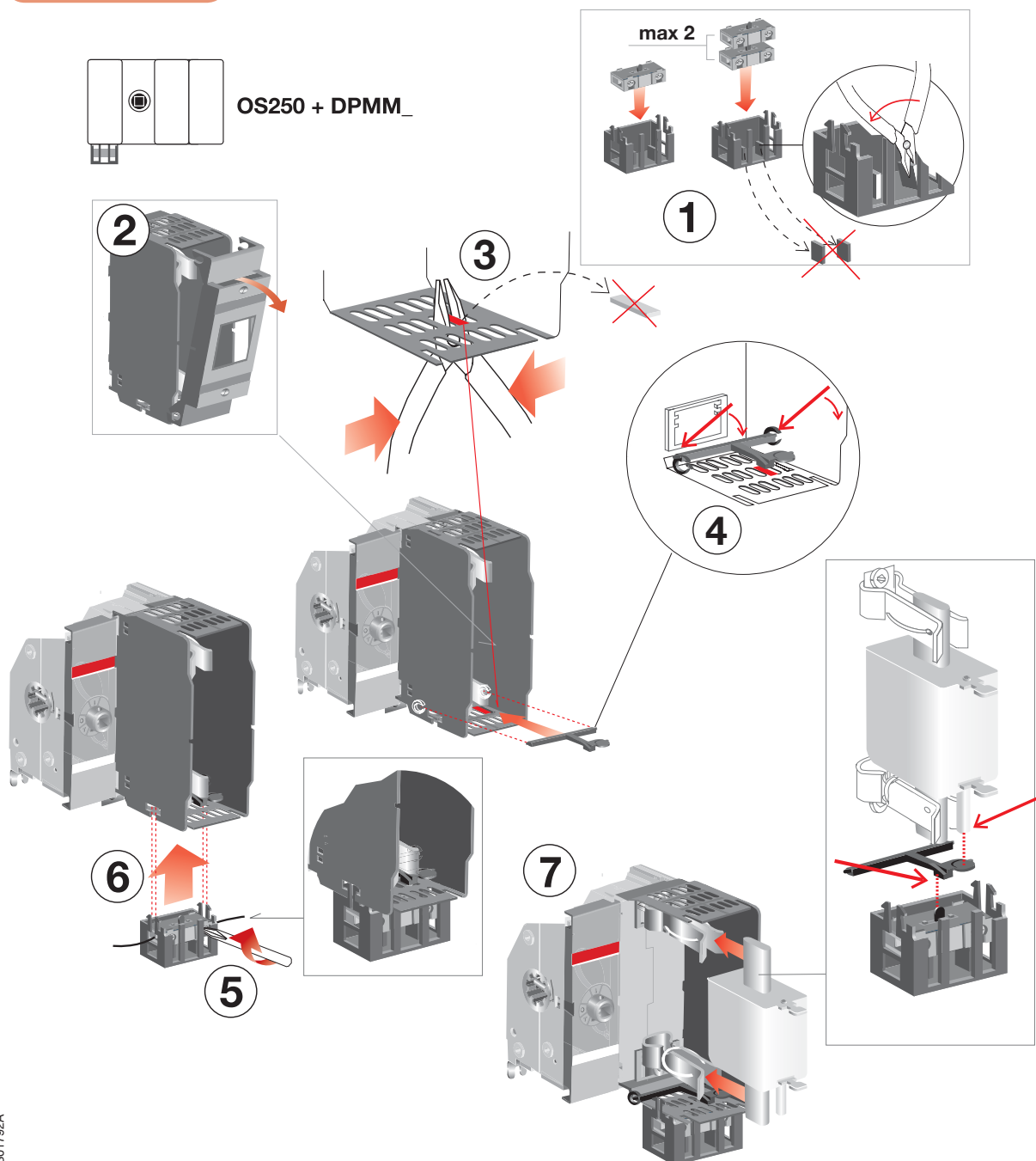
Cable size	
AWG	C
4-3	100 mm 4 in
2	100 mm 4 in
1	100 mm 4 in
1/0	125 mm 5 in
2/0	150 mm 6 in
3/0-4/0	175 mm 7 in

# OS200-250

## OS\_N3 & OXN 250

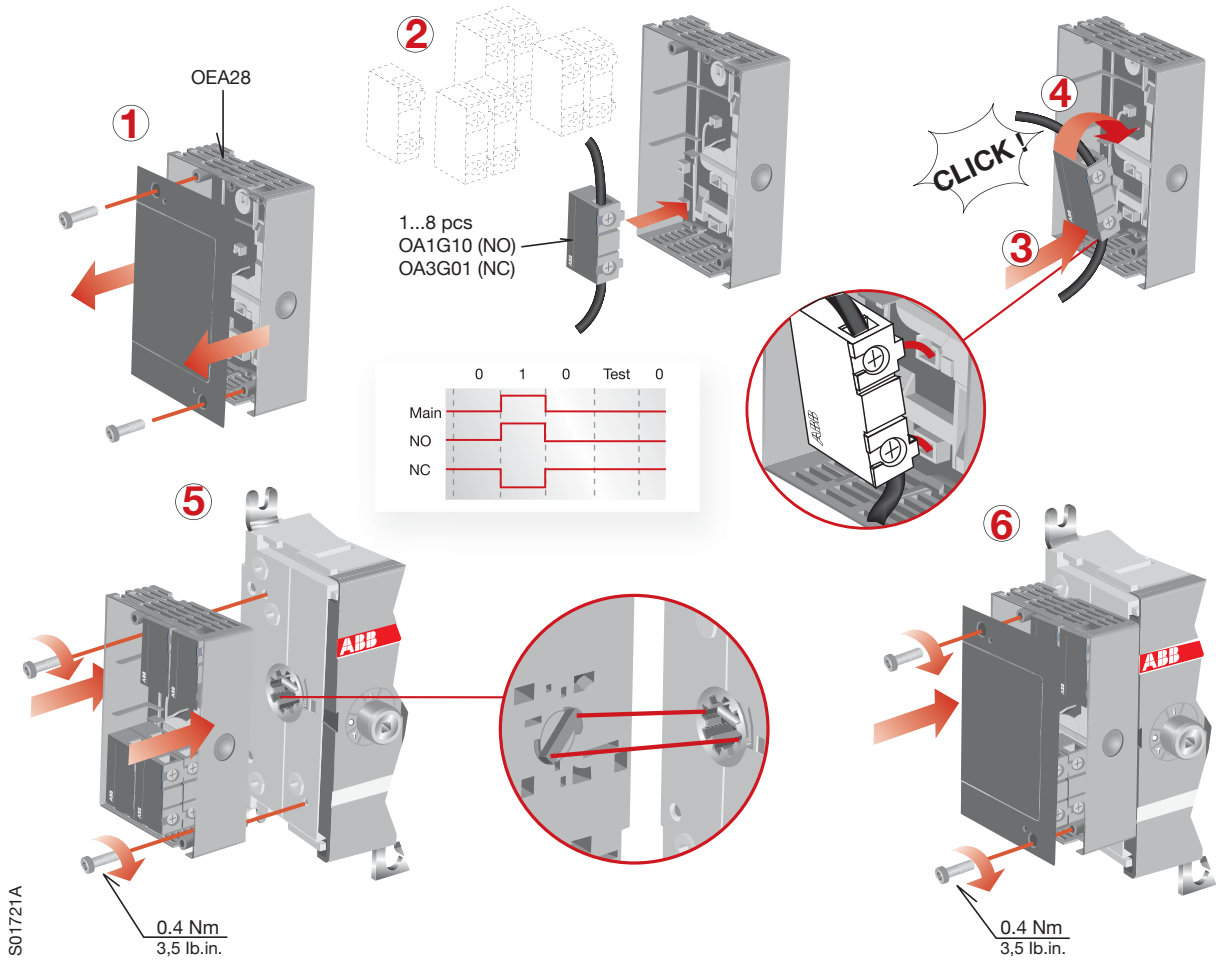


## DPMM\_

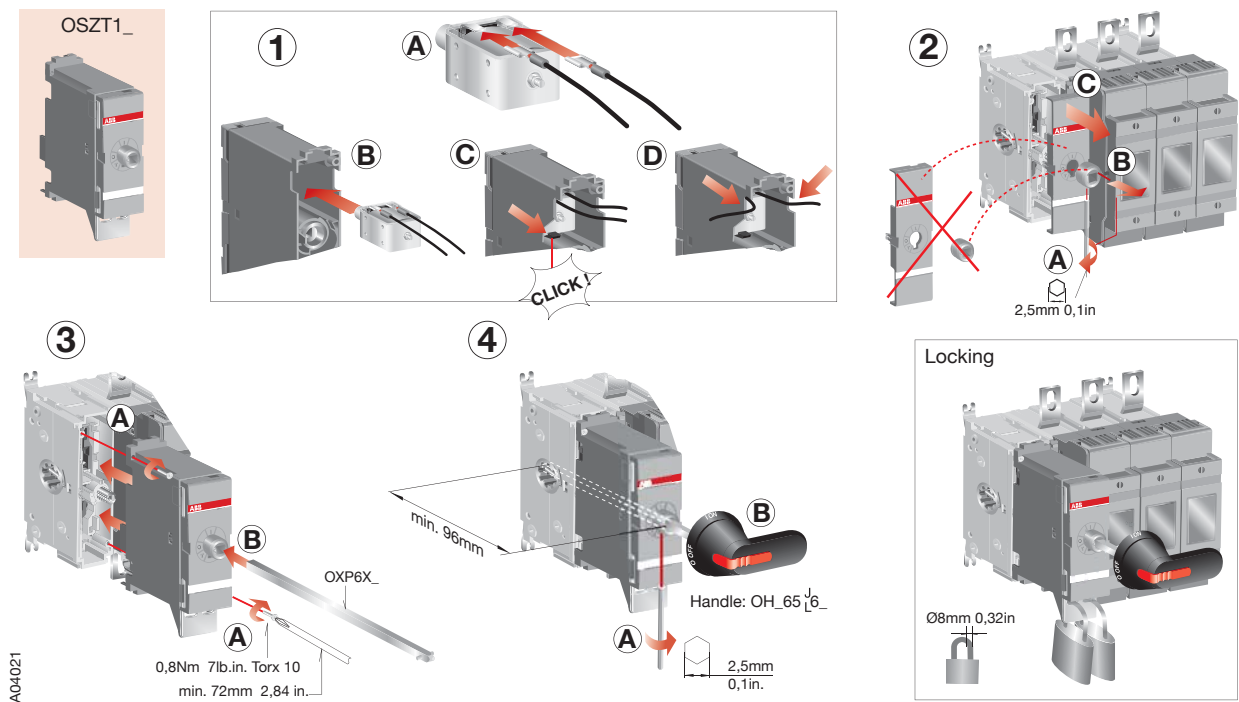


# OS200-250

## OEA28\_

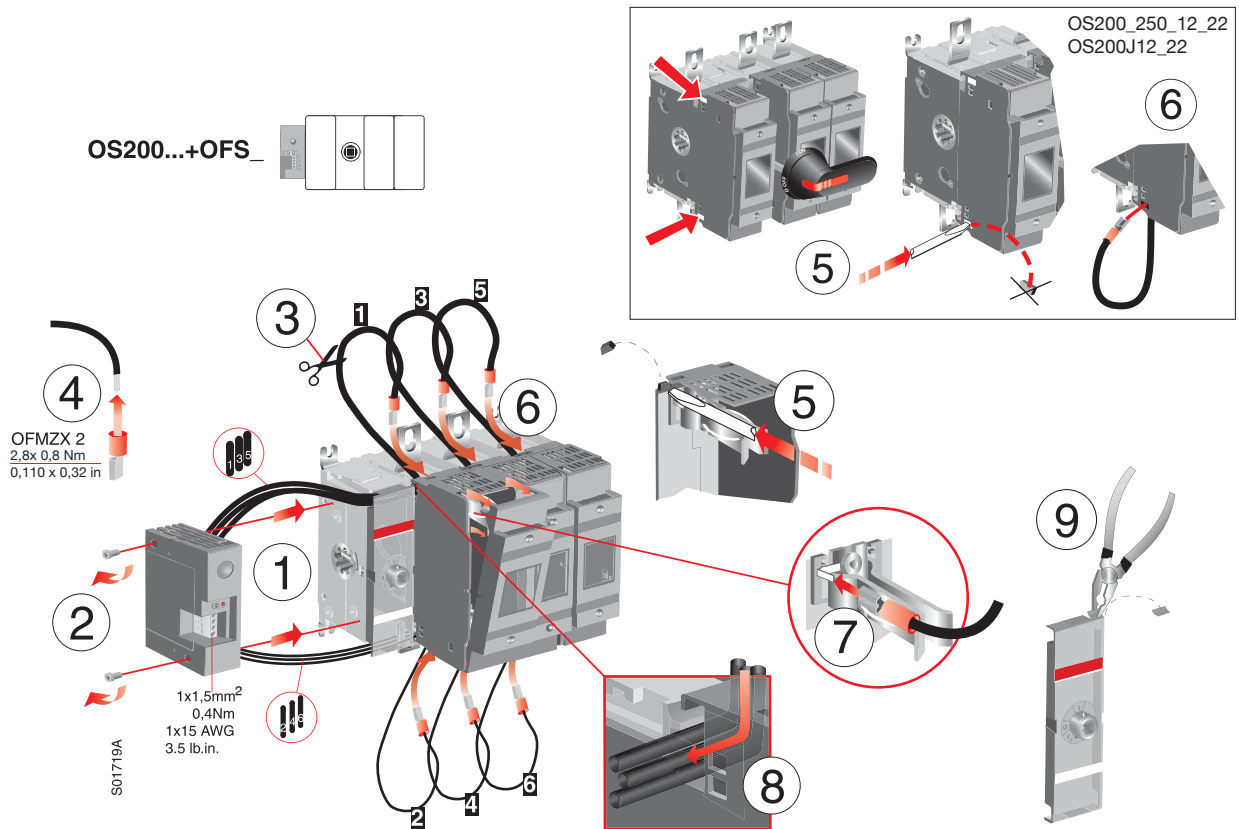


## OSZT1\_



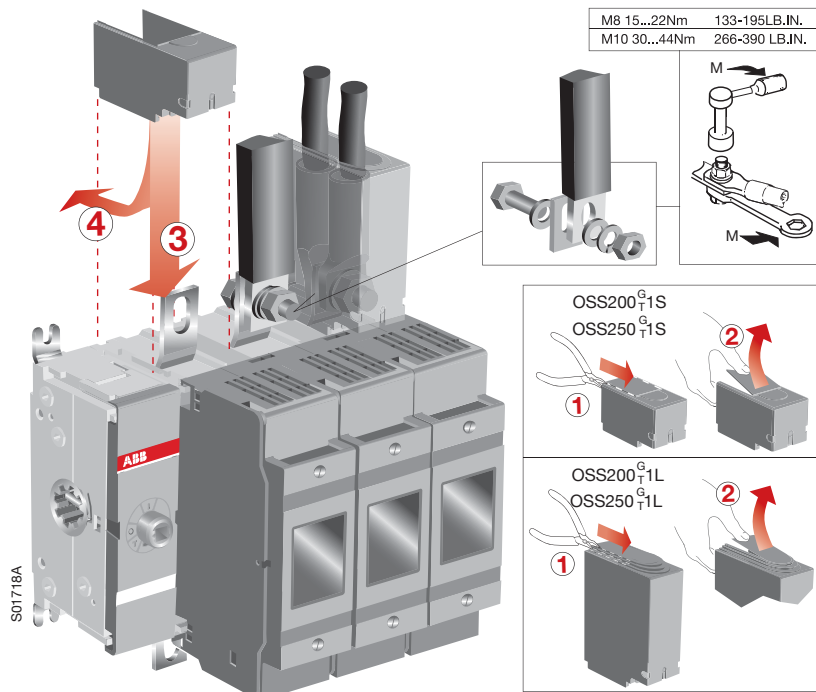
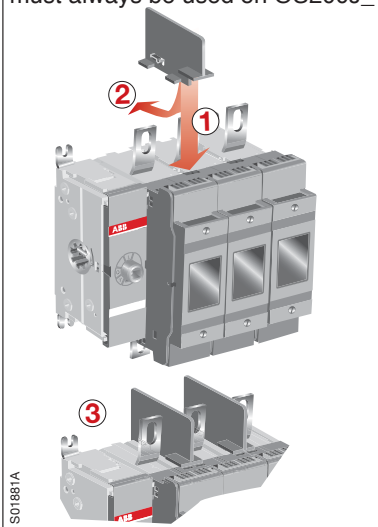
# OS200-250

## OFS\_



## OSS\_

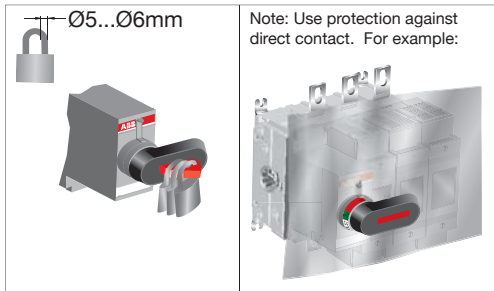
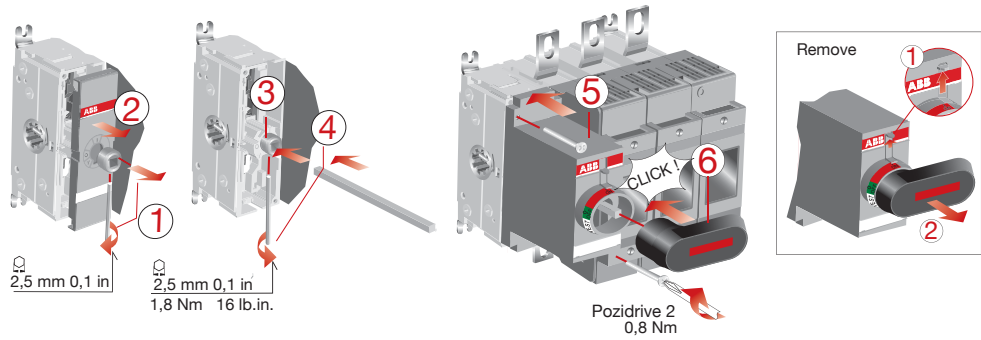
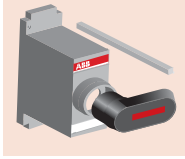
Barriers 68794 or shrouds must always be used on OS200J\_



# OS200-250

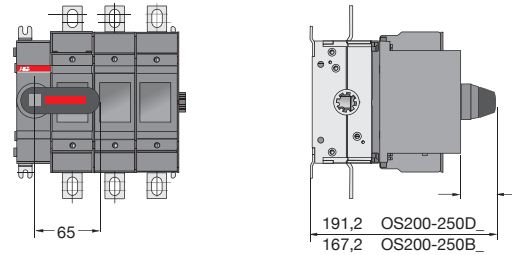
## OSV\_

OSV250DK  
OSV250BK

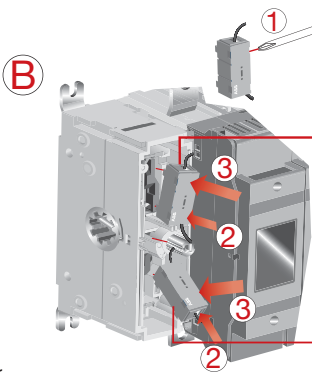
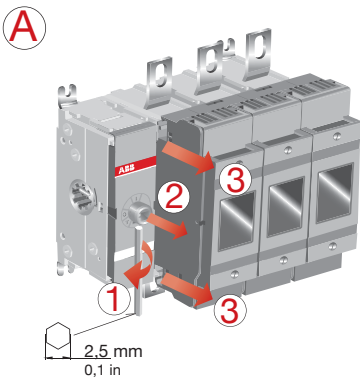


A00096A

## OS200\_250D03 OS200-250B03



## OA\_



S01720A

NO: OA1G10  
NC: OA3G01

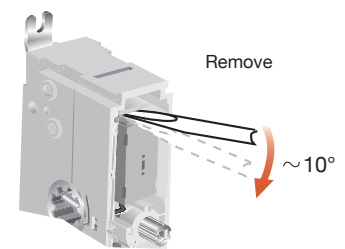
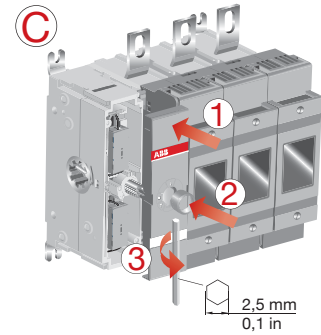
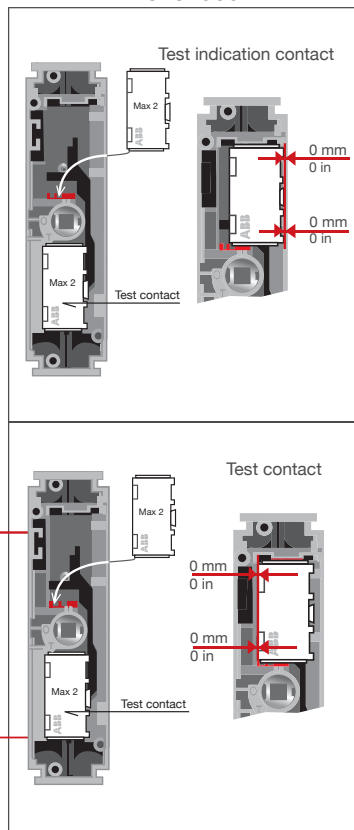


ABB Oy  
Low Voltage Products  
P.O. Box 622  
FIN-65101 Vaasa, Finland

Telephone +358-10 224 000  
Telefax +358-10 224 5708