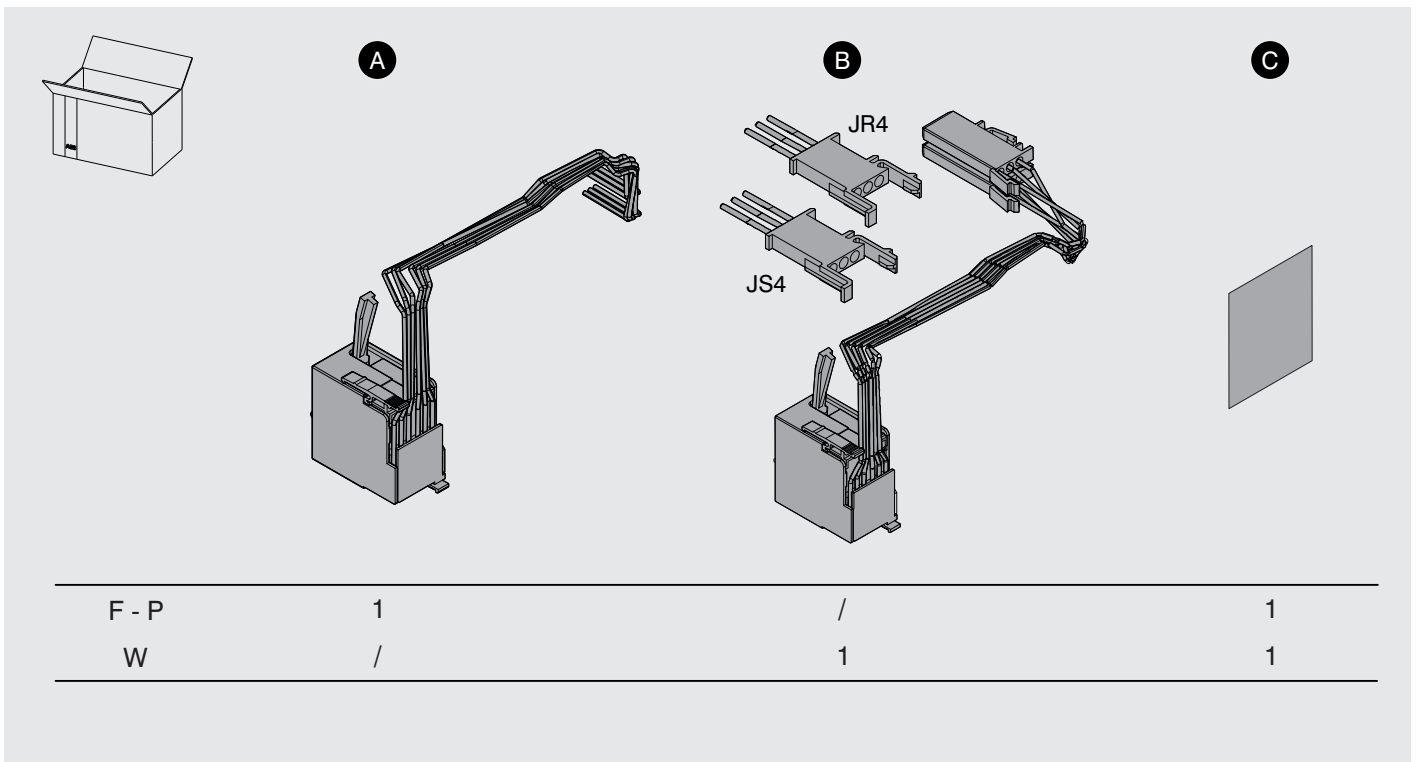
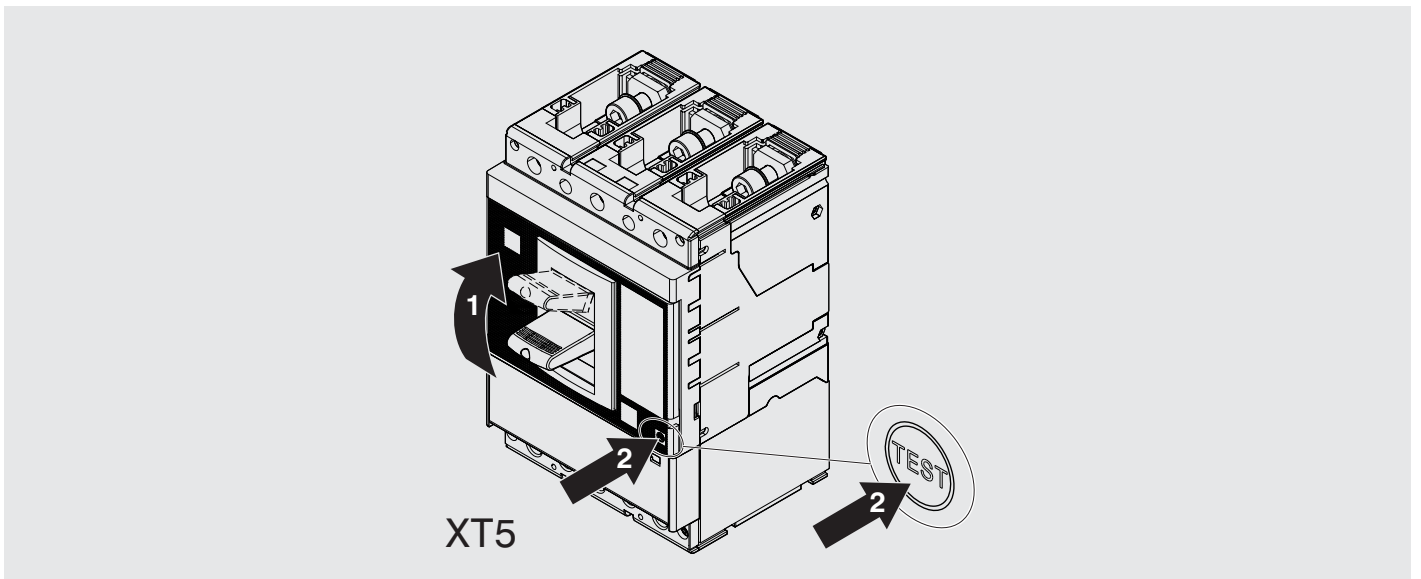



SACE Tmax XT

AUX-C - Contatti ausiliari cablati 400V XT5 (1Q+1SY)
AUX-C - Wired auxiliary contacts 400V XT5 (1Q+1SY)
AUX-C - Hilfskontakte verdrahtet, 400V XT5 (1Q+1SY)
AUX-C - Contacts auxiliaires câblés 400V XT5 (1Q+1SY)
AUX-C - Contactos auxiliares cableados 400V XT5 (1Q+1SY)
AUX-C - 带导线辅助触点 400V XT5 (1Q+1SY)


XT5



1

IEC60947-5-1 

	Voltage	max Current
IEC	250Vac	12A
	400Vac	3A

IEC60947-5-1 

	Voltage	max Current
IEC	220Vdc	0.2A
	110Vdc	0.4A
	24Vdc	16A



	Voltage	max Current
UL	250Vac	12A

2

F/P

	Q/7	SY/3
CAVI CABLES KABEL CÂBLES CABLES 导线	91-92-94	55-56-58

	XT5	
	Thermal-magnetic and Ekip Dip trip unit	Ekip Touch and Hi-Touch trip unit
1Q + 1SY	OK	OK

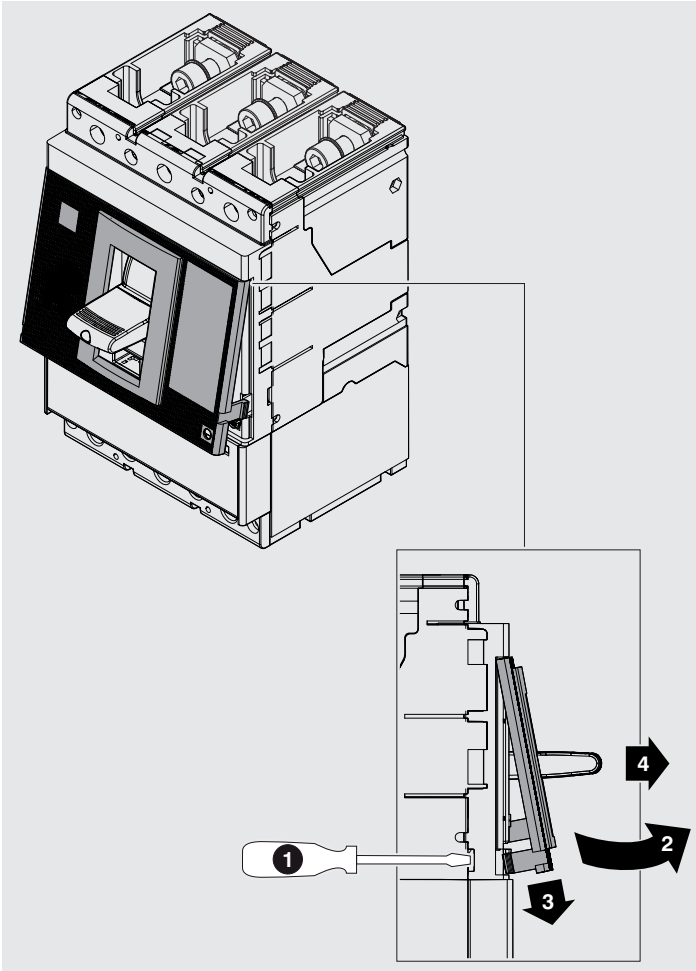
W

	Q/7	SY/3
CAVI CABLES KABEL CÂBLES CABLES 导线	91-92-94	55-56-58
CONNETTORE CONNECTOR STECKVORRICHTUNG CONNECTEUR CONNECTOR 连接器	JS4	JR4

	XT5	
	Thermal-magnetic and Ekip Dip trip unit	Ekip Touch and Hi-Touch trip unit
1Q + 1SY	OK	OK

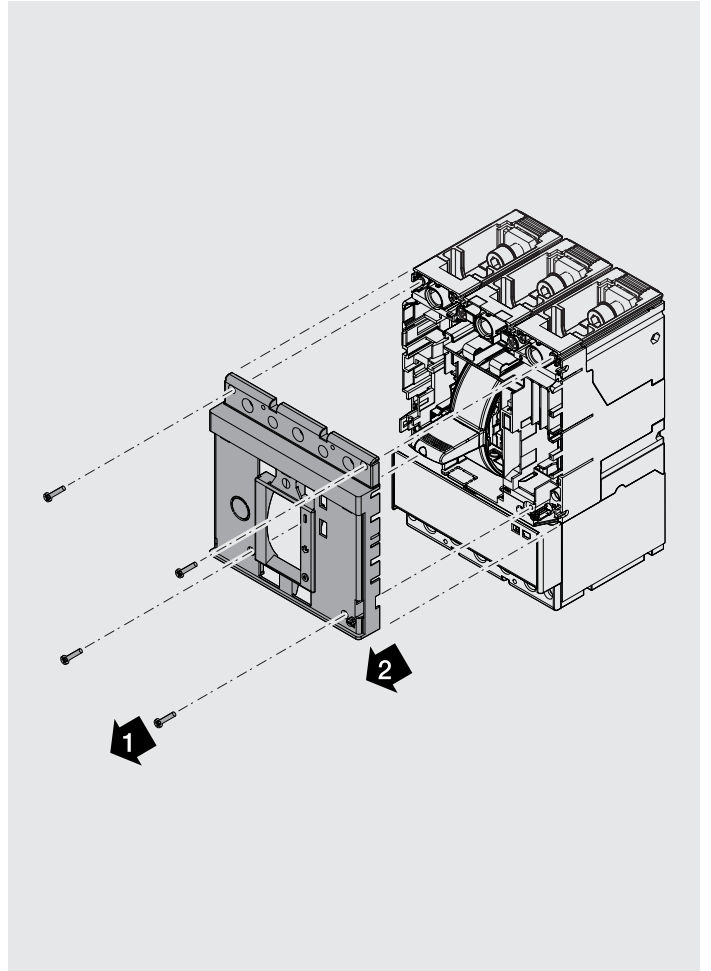
3

F



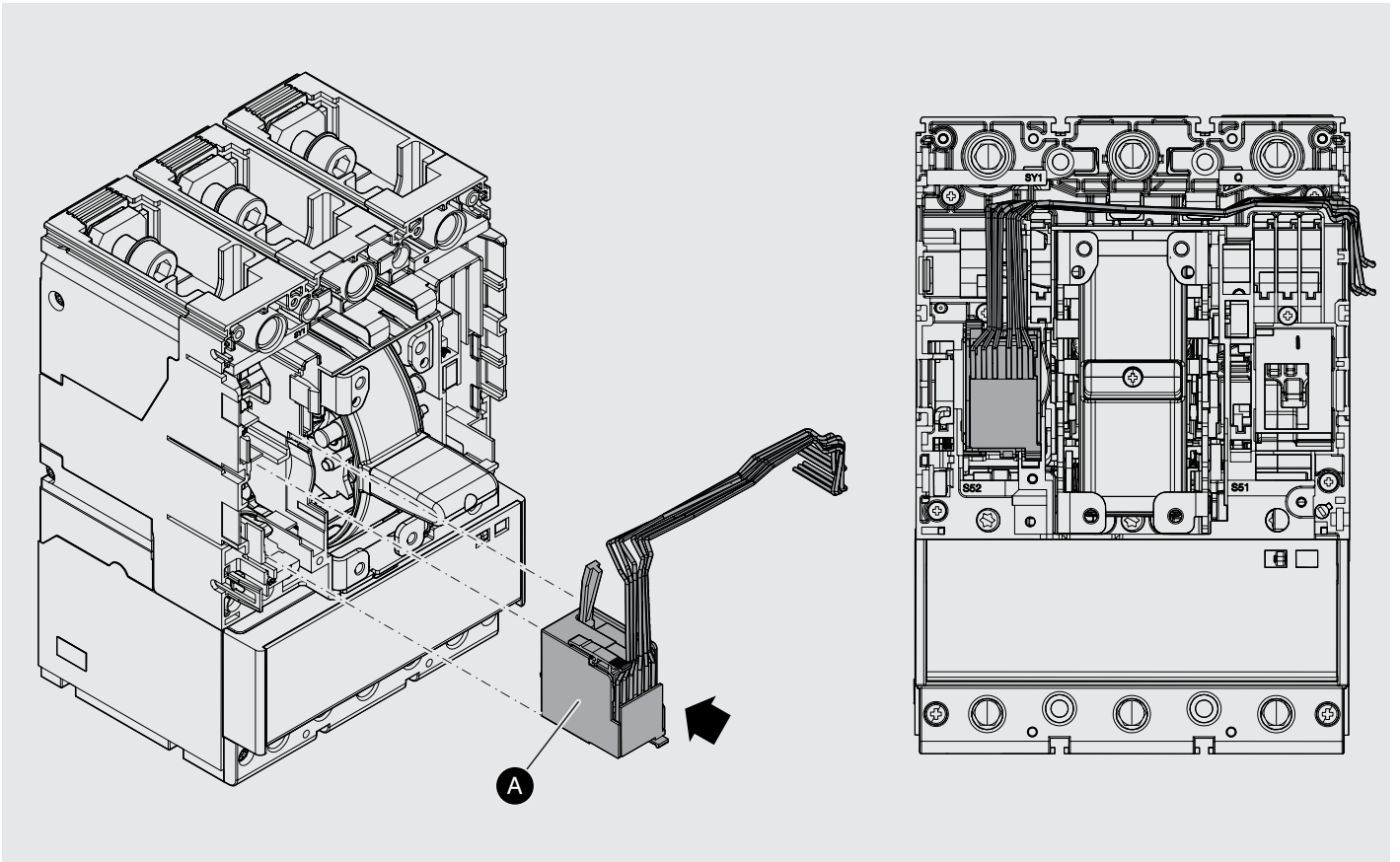
4

F



5

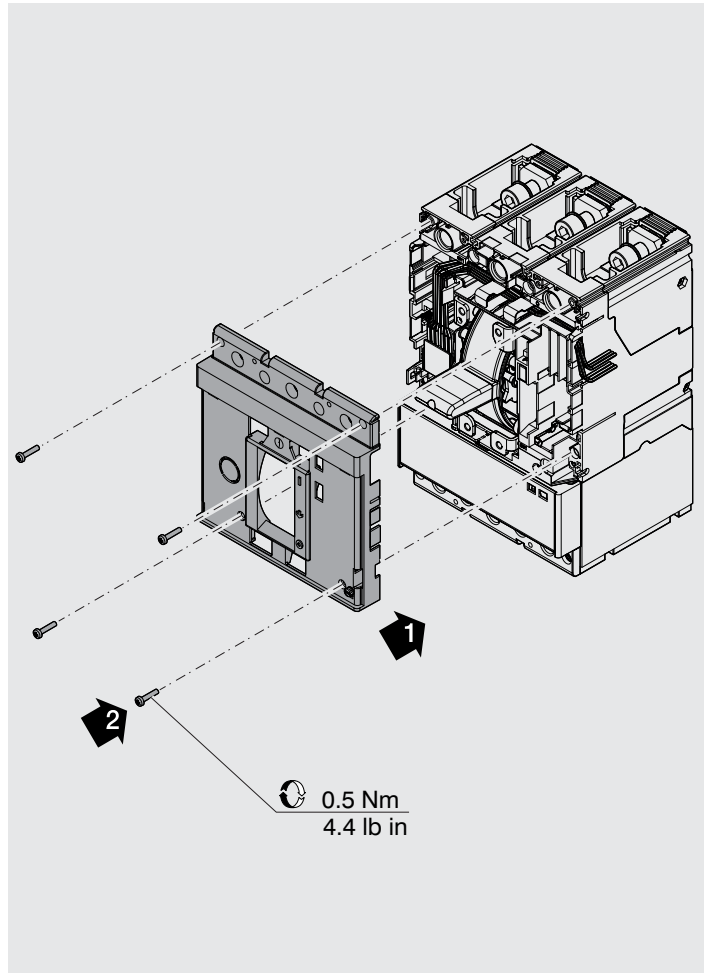
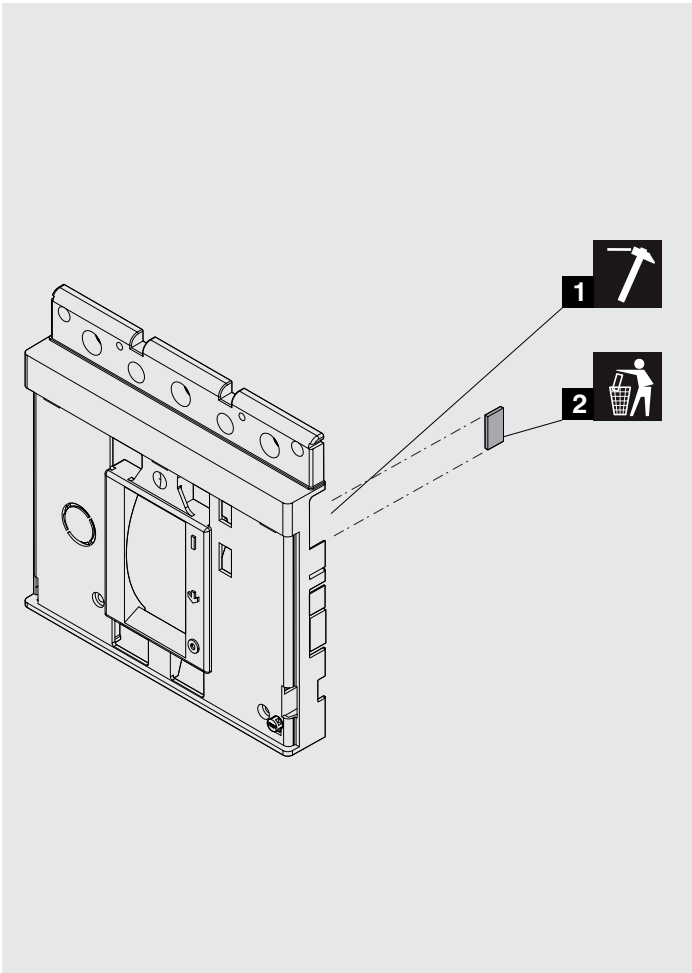
F



6

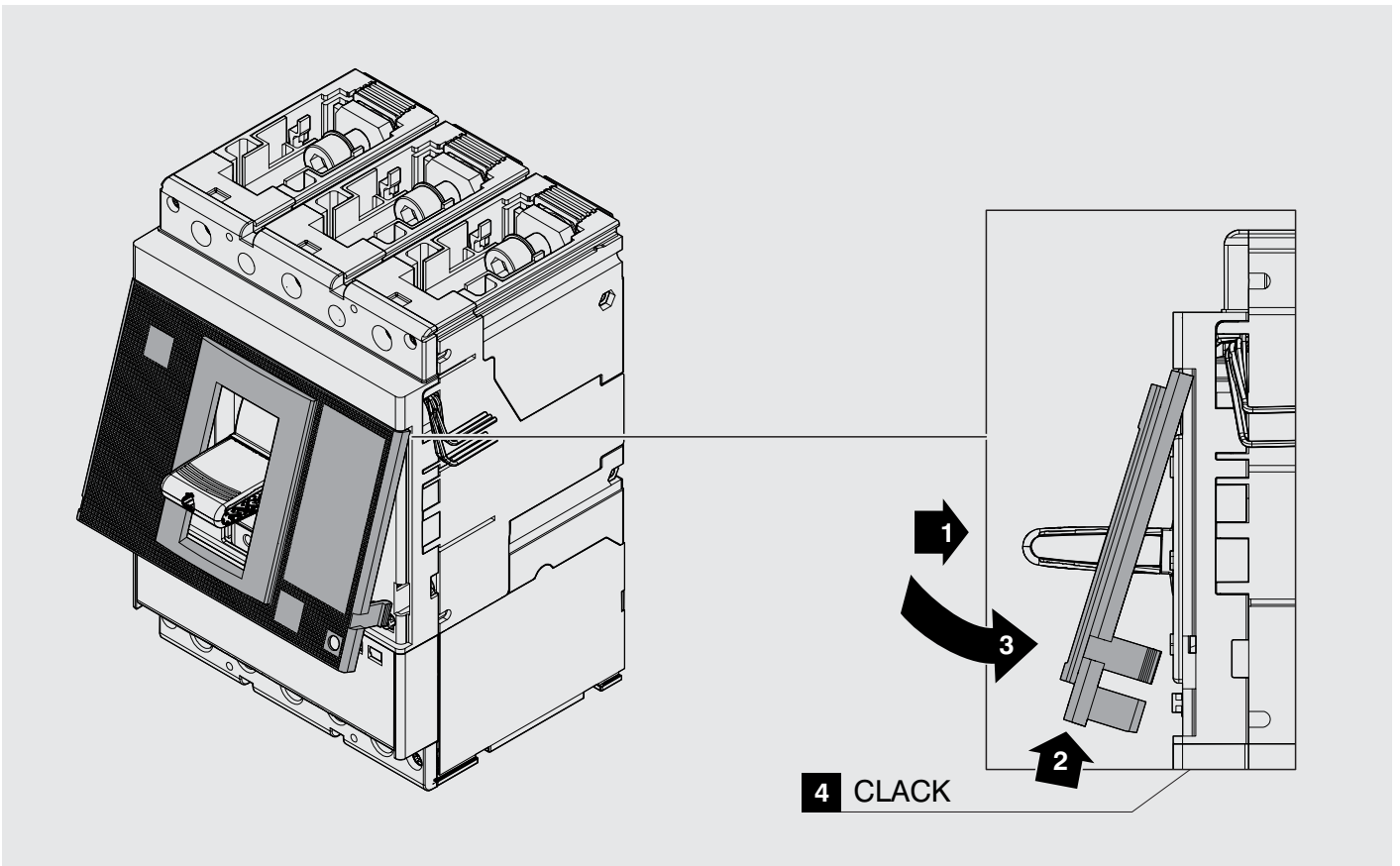
F 7

F



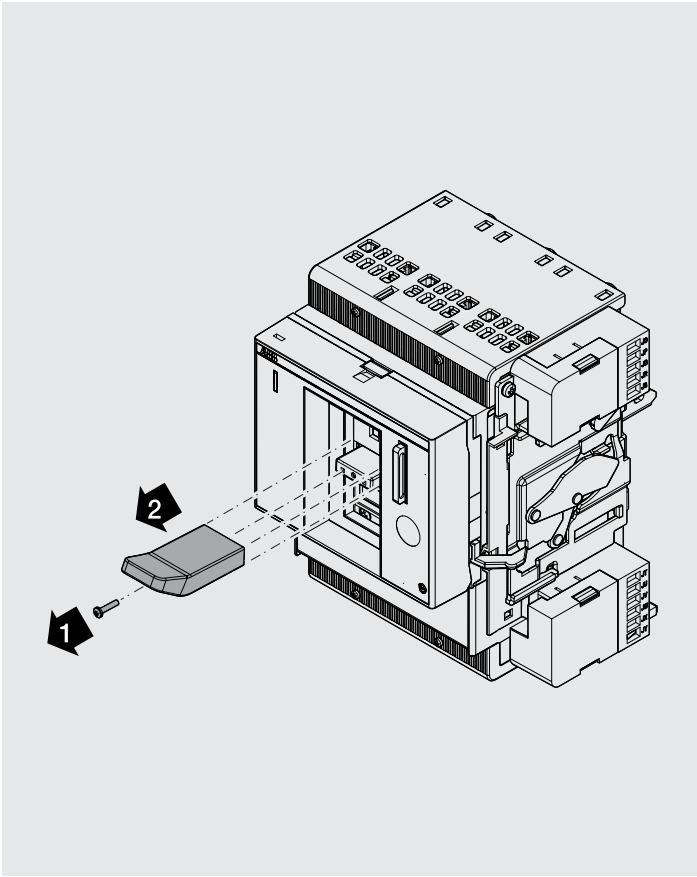
8

F



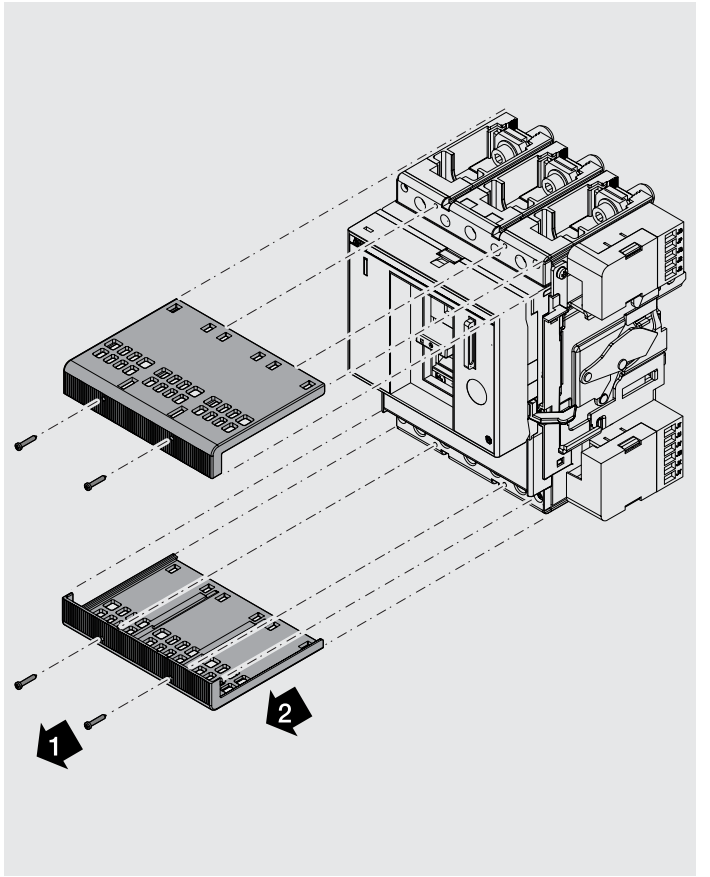
9

W



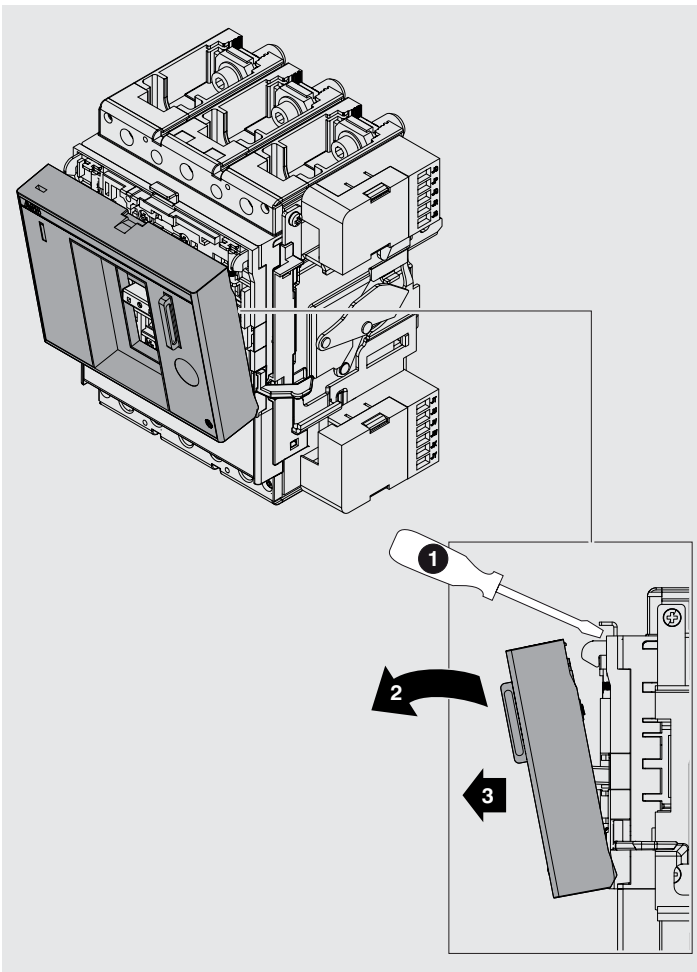
10

W



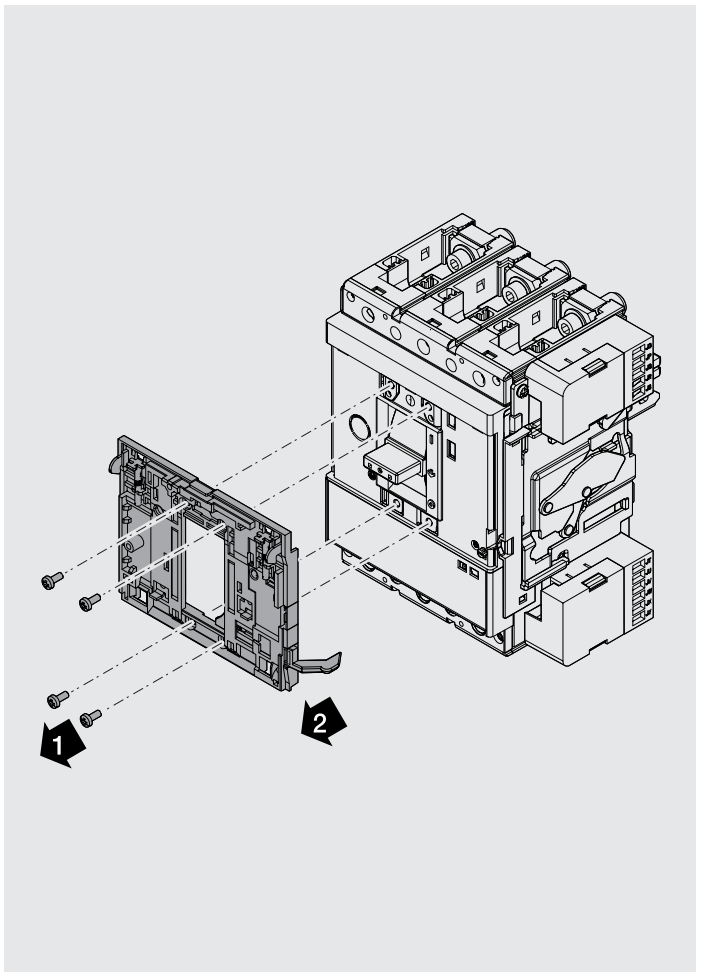
11

W



12

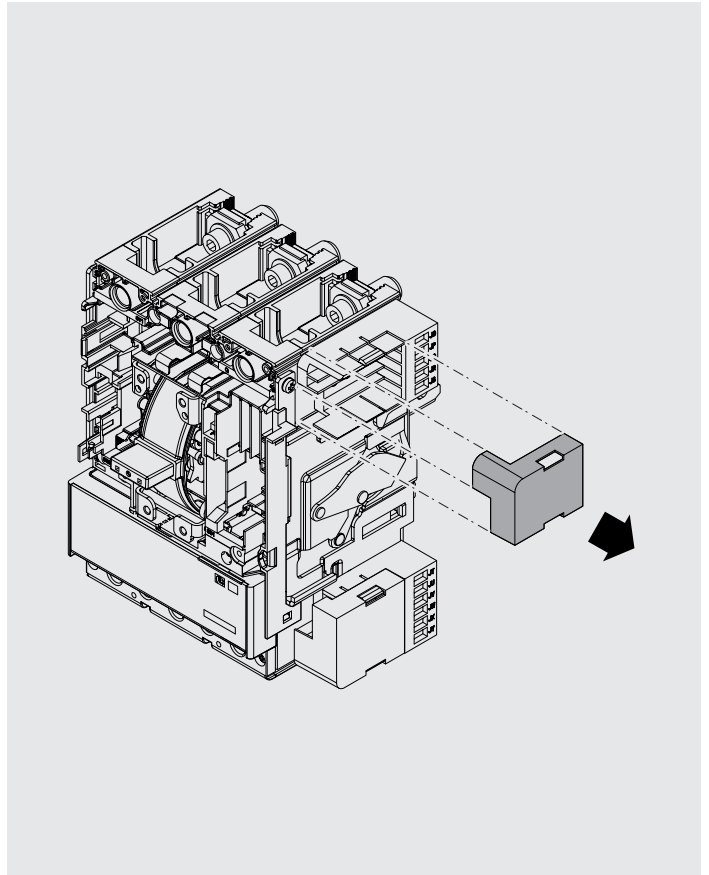
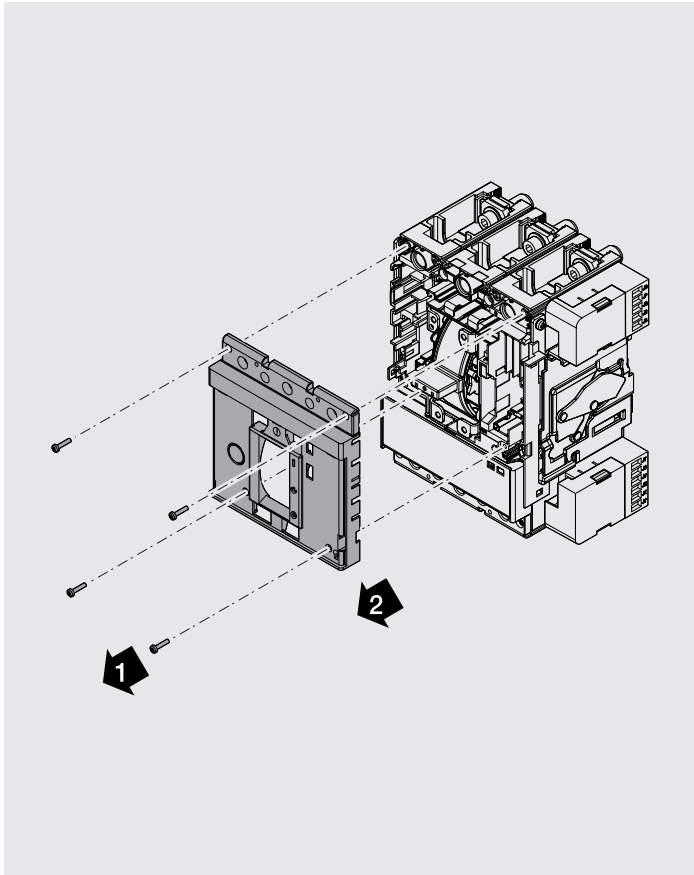
W



13

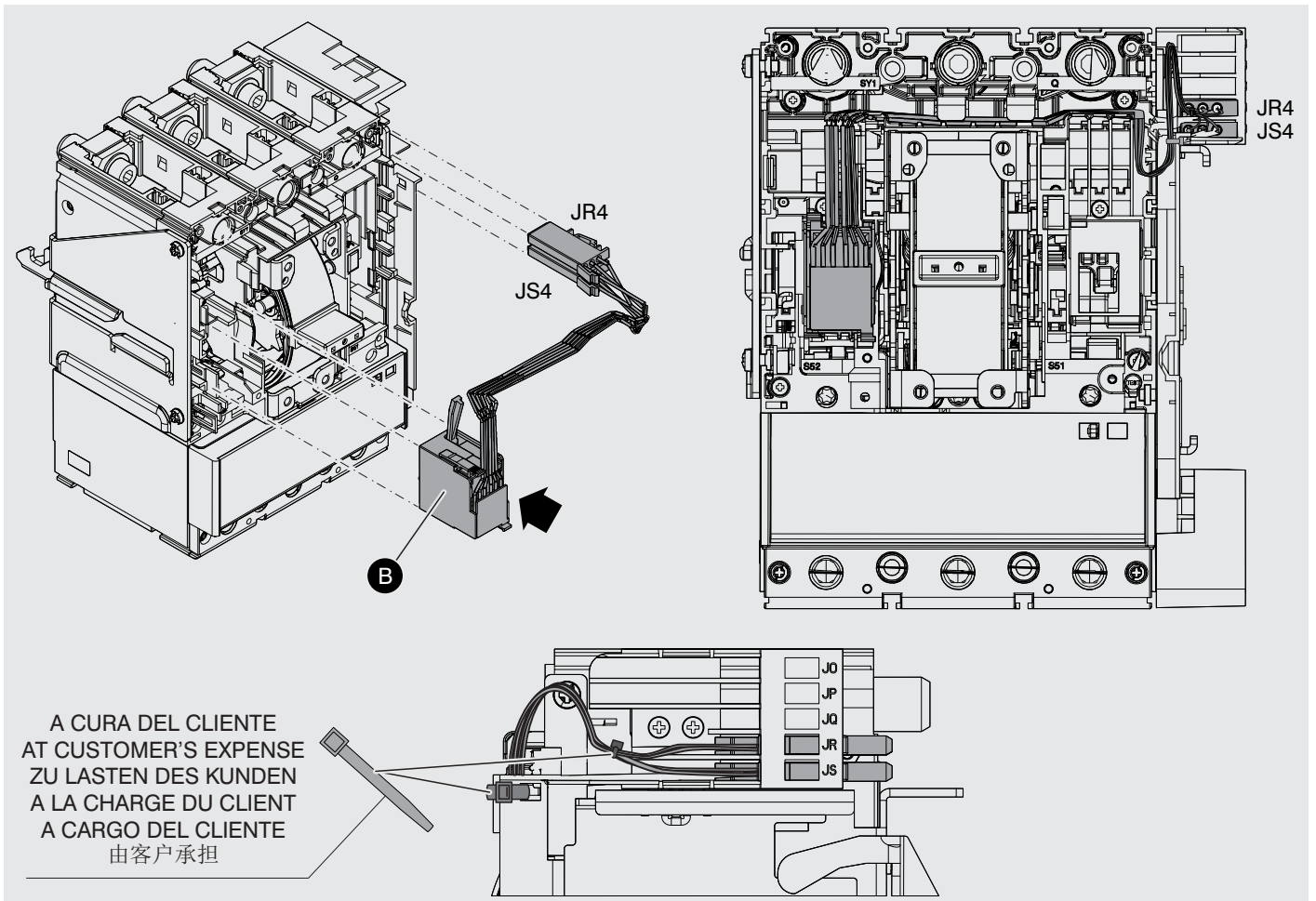
W 14

W



15

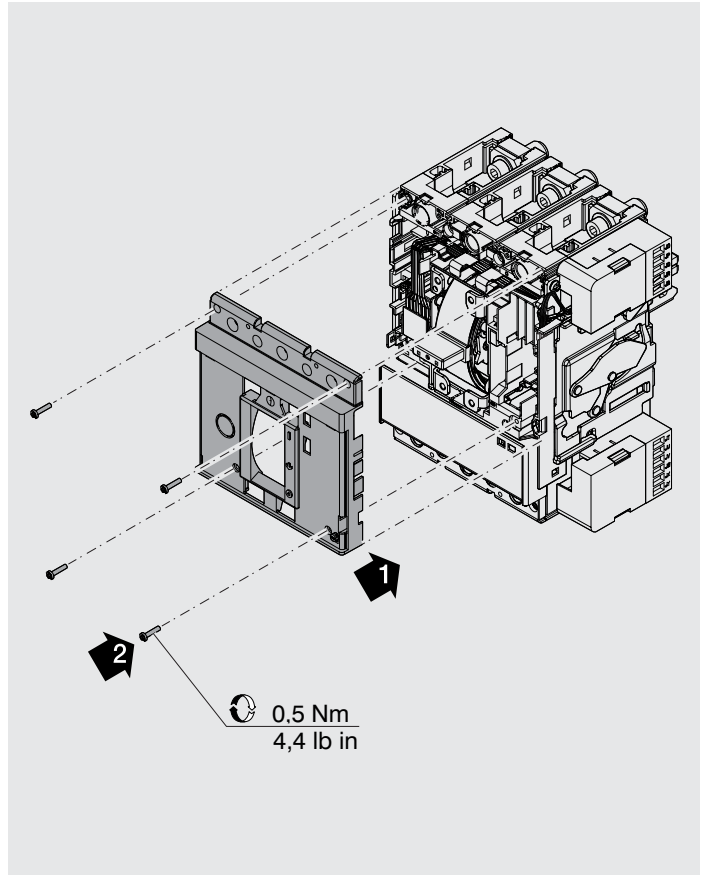
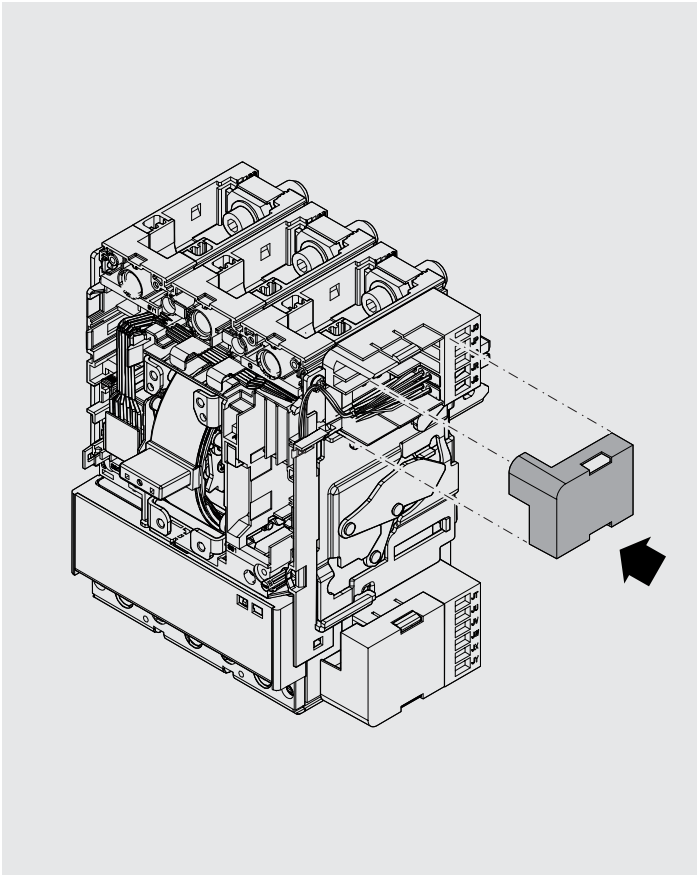
W



16

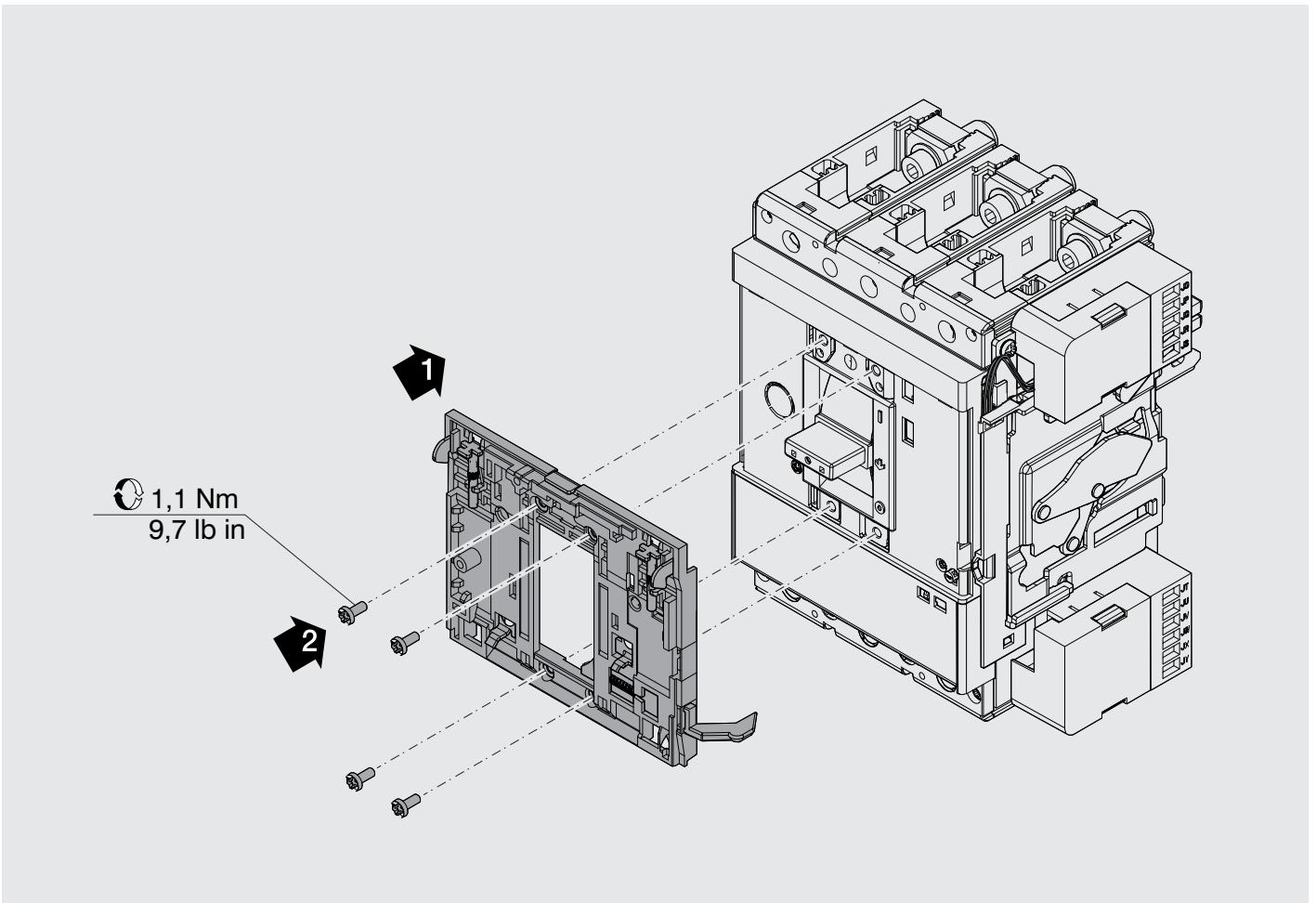
W 17

W



18

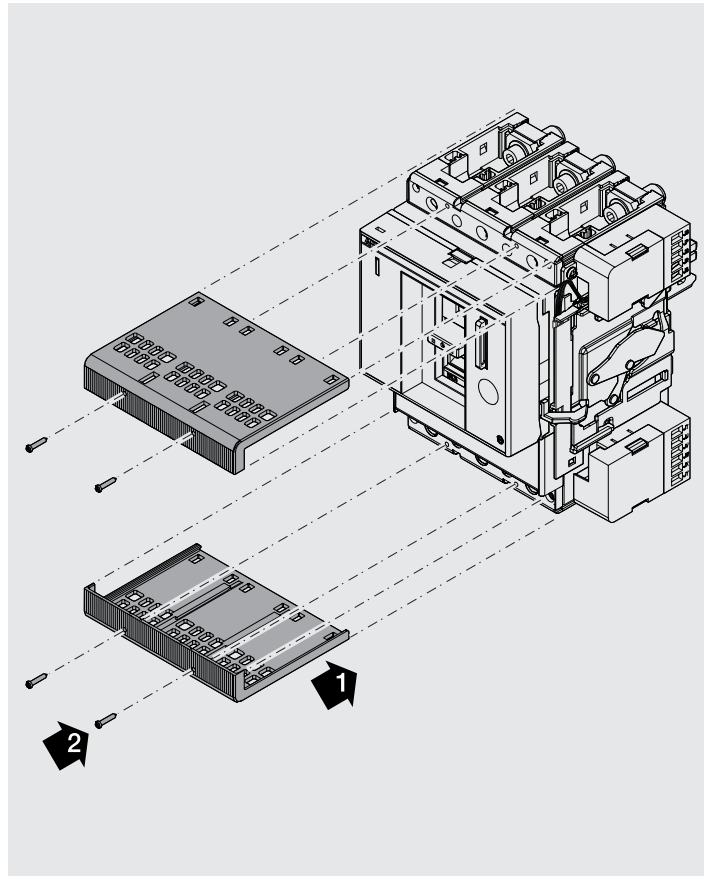
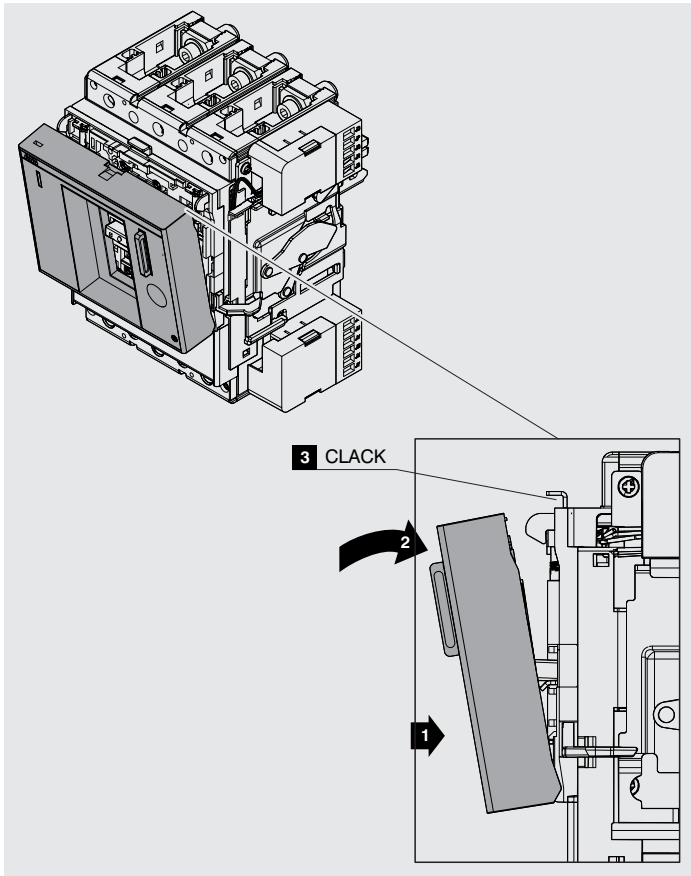
W



19

W 20

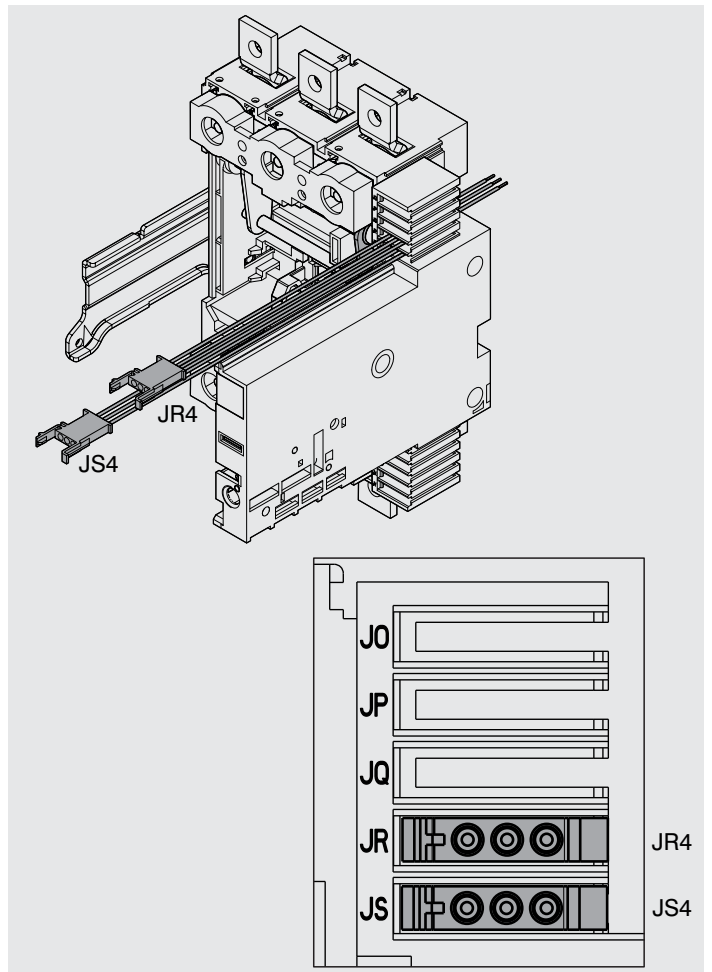
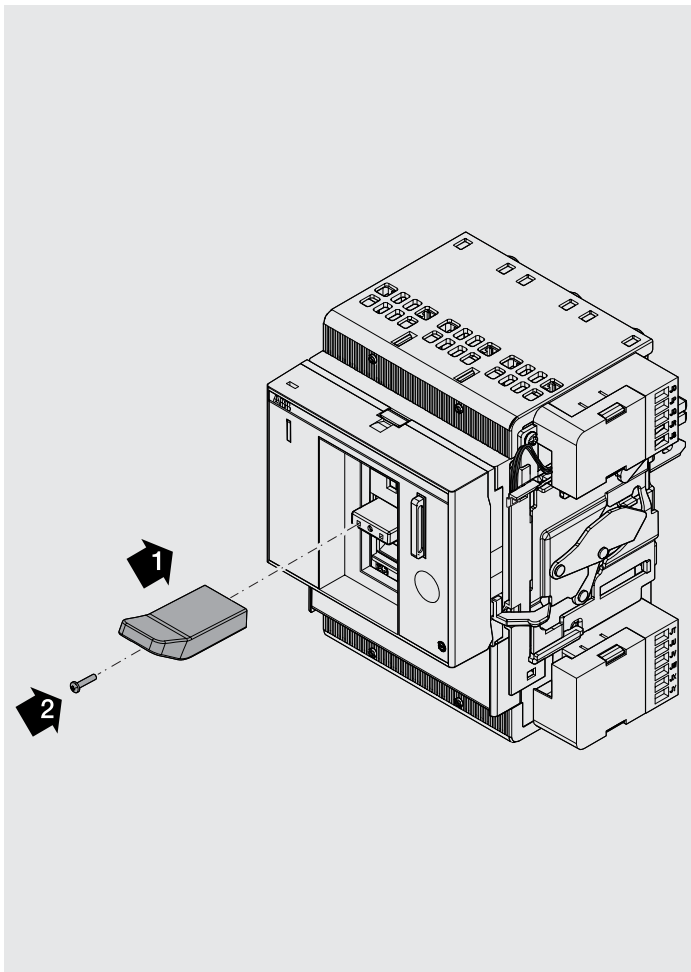
W



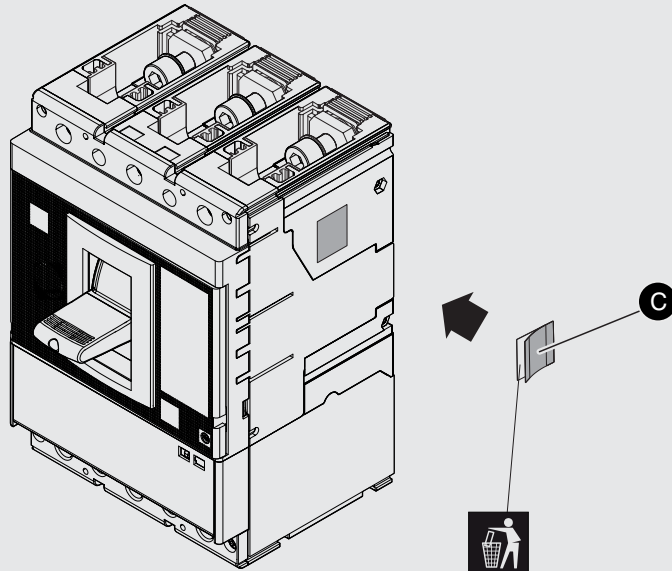
21

W 22

W



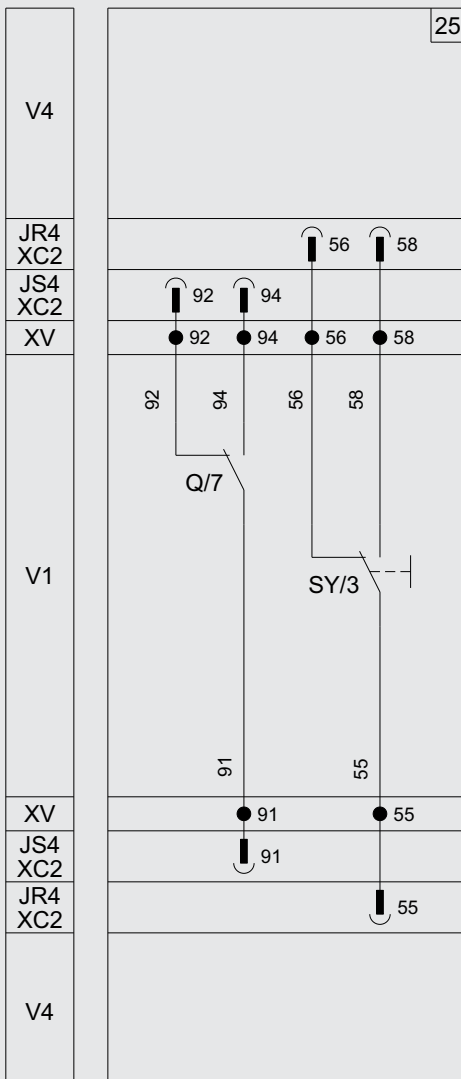
Example with XT5 F



CONTATTO SEGNALAZIONE INTERRUTTORE APERTO - CHIUSO
E CONTATTO SEGNALAZIONE INTERRUTTORE SCATTATO
(PER TENSIONI FINO A 400V)

OPEN-CLOSED C. BREAKER SIGNALLING CONTACT
AND C. BREAKER TRIPPED SIGNALLING CONTACT
(FOR VOLTAGE UP TO 400V)

* E)



*Per ulteriori informazioni vedere:
*For further details consult:
*Für weitere Informationen siehe:
*Pour plus d'informations voir:
*Para más información véase:
*有关更多信息请参考:

1SDM000005A1001