



cable connector for circuit breaker Size S0 with screw terminal (individual unit packaging)

<b>product brand name</b>	SIRIUS
<b>product category</b>	Infeed systems
<b>product designation</b>	Connection plug
<b>product type designation</b>	3RV19
<b>suitability for use</b>	circuit-breakers 3RV2
<b>General technical data</b>	
<b>size of the circuit-breaker</b>	S0
power loss [W] for rated value of the current at AC in hot operating state per pole	1.6 W
<b>type of calculation of power loss depending on pole</b>	quadratic
protection class IP on the front according to IEC 60529	IP20
<b>thermal current</b>	32 A
<b>Substance Prohibition (Date)</b>	07/01/2006
<b>Net Weight</b>	0.046 kg
<b>number of poles for main current circuit</b>	3
operating voltage at AC rated value	690 V
<b>operational current rated value</b>	32 A
<b>UL/CSA ratings</b>	
operating voltage at AC according to UL rated value	600 V
Electrical Safety	
<b>protection class IP on the front according to IEC 60529</b>	IP20
<b>touch protection on the front according to IEC 60529</b>	finger-safe, for vertical contact from the front
<b>Short-circuit protection</b>	
<b>short-circuit rating</b>	see table in the operating instructions
<b>Connections/ Terminals</b>	
type of electrical connection for main current circuit	plug-in without terminals
<b>Approvals Certificates</b>	
Environmental Product Declaration	
<ul style="list-style-type: none"> <li>global warming potential [CO2 eq] / during manufacturing</li> <li>global warming potential [CO2 eq] / during operation</li> <li>global warming potential [CO2 eq] / after end of life</li> <li>global warming potential [CO2 eq] / total</li> </ul>	<ul style="list-style-type: none"> <li>0.313 kg</li> <li>8.72 kg</li> <li>0.0218 kg</li> <li>9.06 kg</li> </ul>
<b>Environment</b>	<b>General Product Approval</b>



[Environmental Confirmations](#)



Test Certificates	Maritime application
-------------------	----------------------

[Special Test Certificate](#)



Maritime application	other				Railway
----------------------	-------	--	--	--	---------



[Confirmation](#)

[Miscellaneous](#)

[Miscellaneous](#)

[Special Test Certificate](#)

**Further information**

Information on the packaging

<https://support.industry.siemens.com/cs/ww/en/view/109813875>

Information for data generation and storage

<https://support.industry.siemens.com/cs/ww/en/view/109995012>

Information- and Downloadcenter (Catalogs, Brochures,...)

<https://www.siemens.com/ic10>

Industry Mall (Online ordering system)

<https://mall.industry.siemens.com/mall/en/en/Catalog/product?mlfb=3RV1927-5AA00>

Cax online generator

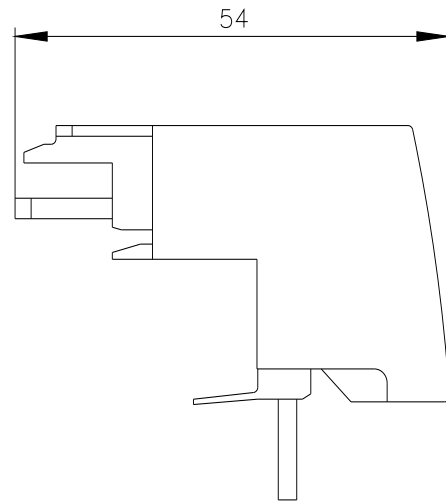
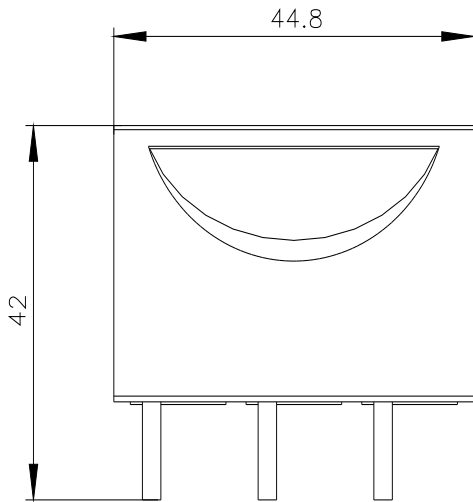
<https://support.automation.siemens.com/WW/CAXorder/default.aspx?lang=en&mlfb=3RV1927-5AA00>

Service&Support (Manuals, Certificates, Characteristics, FAQs,...)

<https://support.industry.siemens.com/cs/ww/en/ps/3RV1927-5AA00>

Image database (product images, 2D dimension drawings, 3D models, device circuit diagrams, EPLAN macros, ...)

[https://www.automation.siemens.com/bilddb/cax\\_de.aspx?mlfb=3RV1927-5AA00&lang=en](https://www.automation.siemens.com/bilddb/cax_de.aspx?mlfb=3RV1927-5AA00&lang=en)



last modified:

10/18/2025