

Withdrawable drive for contactors 3RT105, 3RT145 AC (50...60 Hz) / DC operation, 200 ... 277 V Operating mechanism: electronic with PLC input 24 V DC and RLT signal

product brand name	SIRIUS	
product category	Solenoid coils	
product designation	Changeover operating mechanism	
product type designation	3RT19	
General technical data		
Substance Prohibitation (Date)	05/01/2012	
SVHC substance name	Lead - 7439-92-1 Lead monoxide (lead oxide) - 1317-36-8 2,2',6,6'-tetrabromo-4,4'-isopropylidenediphenol - 79-94-7 Perfluorobutane sulfonic acid (PFBS) and its salts - -	
Net Weight	0.985 kg	
type of voltage of the control supply voltage	AC/DC	
control supply voltage 1 at AC		
• at 50 Hz	200 ... 277 V	
• at 60 Hz	200 ... 277 V	
control supply voltage 2 at AC		
• at 50 Hz rated value	277 V	
• at 60 Hz rated value	277 V	
control supply voltage 1 at DC	200 ... 277 V	
control supply voltage 2 at DC rated value	277 V	
apparent pick-up power of magnet coil at AC		
• at 50 Hz	280 VA	
• at 60 Hz	280 VA	
inductive power factor with closing power of the coil		
• at 50 Hz	0.8	
• at 60 Hz	0.8	
apparent holding power of magnet coil at AC		
• at 50 Hz	4.4 VA	
• at 60 Hz	4.4 VA	
inductive power factor with the holding power of the coil		
• at 50 Hz	0.5	
• at 60 Hz	0.5	
Approvals Certificates		
Environment	General Product Approval	EMV

[Environmental Confirmations](#)



Test Certificates	Maritime application	other
-------------------	----------------------	-------

[Type Test Certificates/Test Report](#)

[Special Test Certificate](#)



[Confirmation](#)

other	Railway
-------	---------



[Miscellaneous](#)

[Special Test Certificate](#)

Further information

Information on the packaging

<https://support.industry.siemens.com/cs/ww/en/view/109813875>

Information for data generation and storage

<https://support.industry.siemens.com/cs/ww/en/view/109995012>

Information- and Downloadcenter (Catalogs, Brochures,...)

<https://www.siemens.com/ic10>

Industry Mall (Online ordering system)

<https://mall.industry.siemens.com/mall/en/en/Catalog/product?mlfb=3RT1955-5PP31>

Cax online generator

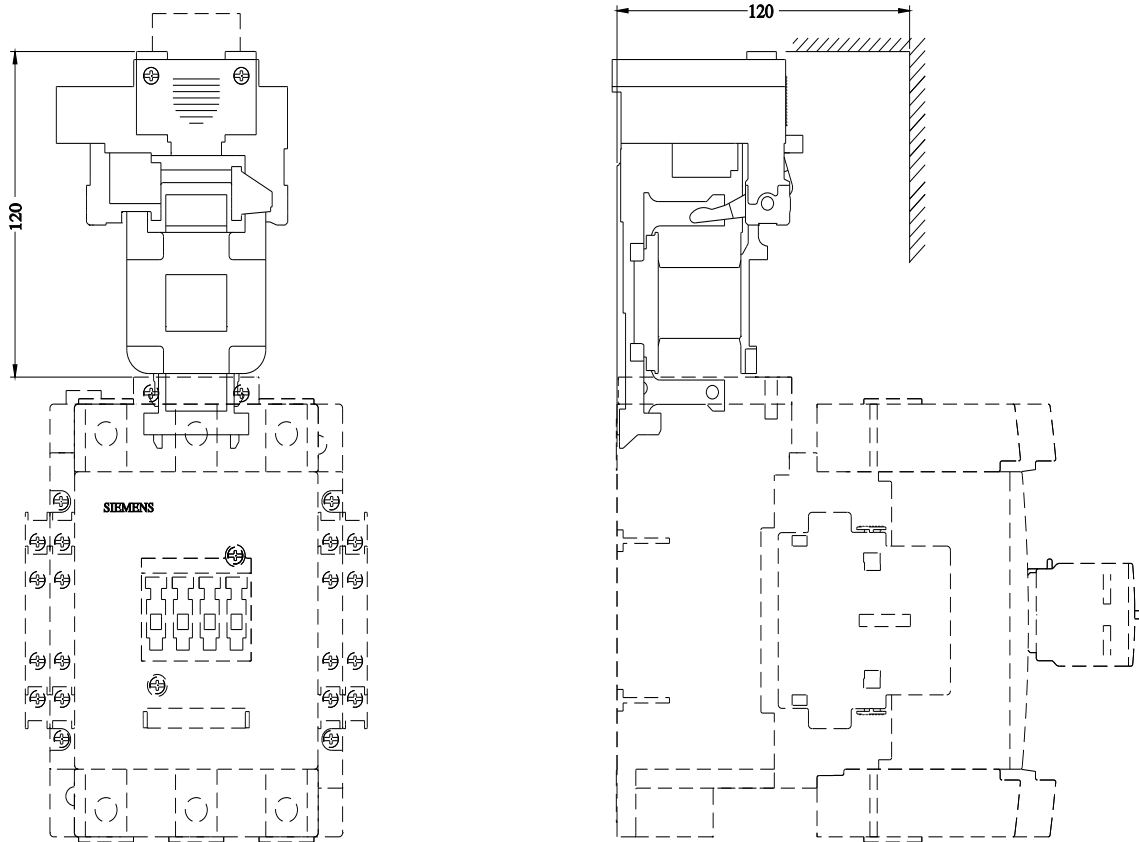
<https://support.automation.siemens.com/WW/CAXorder/default.aspx?lang=en&mlfb=3RT1955-5PP31>

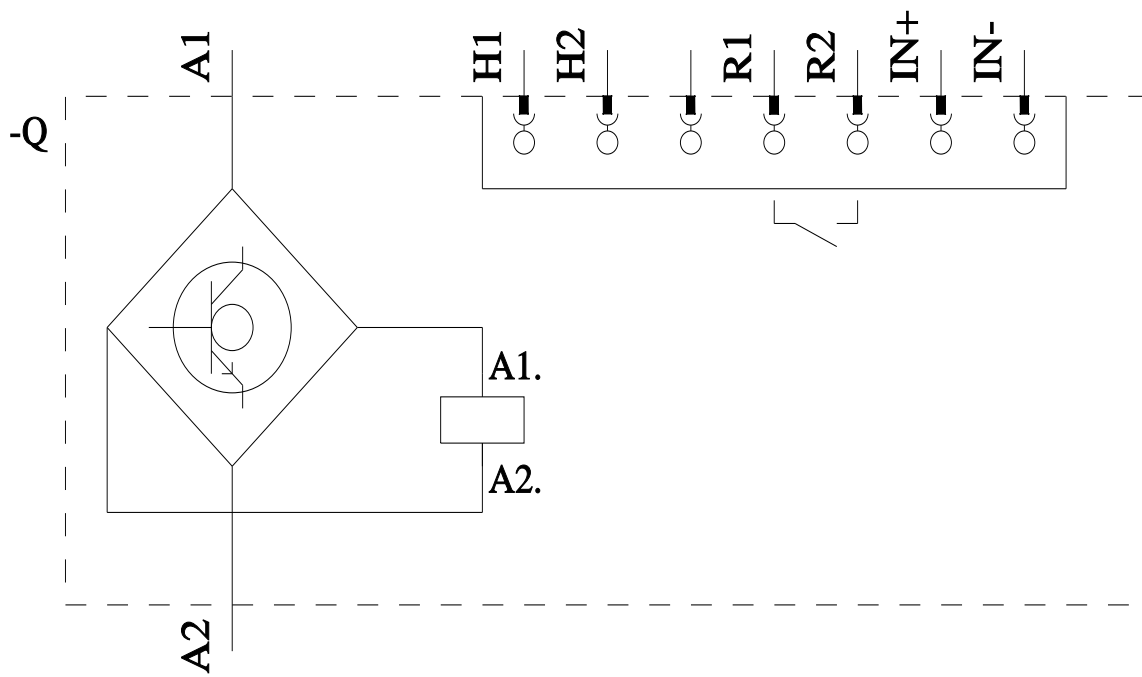
Service&Support (Manuals, Certificates, Characteristics, FAQs,...)

<https://support.industry.siemens.com/cs/ww/en/ps/3RT1955-5PP31>

Image database (product images, 2D dimension drawings, 3D models, device circuit diagrams, EPLAN macros, ...)

https://www.automation.siemens.com/bilddb/cax_de.aspx?mlfb=3RT1955-5PP31&lang=en





last modified:

4/2/2025 