

---

EMAX LOW VOLTAGE AIR CIRCUIT-BREAKERS E2.2-E4.2-E6.2

## Sace Emax 2

Installation, operation and maintenance instructions for the installer and the user





<b>Glossary</b> .....	<b>3</b>
<b>Emax E2.2-E4.2-E6.2 circuit-breakers</b> .....	<b>4</b>
1 - Contents.....	4
2 - Safety.....	5
3 - Regulations .....	6
<b>Management operations</b> .....	<b>7</b>
1 - Transport and checking on receipt.....	7
2 - Unpacking and handling.....	10
3 - Description.....	13
4 - Environmental conditions .....	23
5 - Installation.....	23
<b>Ekip Dip</b> .....	<b>32</b>
1 - General characteristics .....	32
2 - Operator interface .....	33
3 - Protections - Introduction.....	35
4 - List of alarms and signals .....	41
5 - Default parameters .....	42
<b>Accessories</b> .....	<b>43</b>
1 - Overview.....	43
<b>Putting into service and maintenance</b> .....	<b>44</b>
1 - Putting into service.....	44
2 - Identification of alarms or failures .....	49
3 - Maintenance.....	53
4 - Decommissioning and treatment at end of life.....	53



# Glossary

Term	Description
SACE Emax 2	New series of ABB SACE air circuit-breakers
CB	Circuit-breaker
Trip unit	Electronic unit connected to the CB, which provides measuring, monitoring and protection functions for the CB if faulty operating conditions occur. In the event of an alarm, it commands a TRIP
Ekip Dip	Trip unit SACE Emax 2 CBs, equipped with dip-switch type interface
Trip coil	CB opening actuator controlled directly by Trip unit
TRIP	Concluding action of protection timing or a test command which, except in special configurations applicable to the trip unit, coincides with activation of the trip coil, which instantly opens the bars of each pole and interrupts the circulating current
Vaux	Auxiliary power supply
4P / 3P / 3P + N	CB configuration: four-pole (4P), three-pole (3P) and three-pole with external neutral (3P + N)
$I_f$	Fault current measured by Trip unit, useful for calculating the trip time $t_t$

# Emax E2.2-E4.2-E6.2 circuit-breakers

## 1 - Contents

**Overview** This manual contains instructions on the operations to be performed on Emax E2.2-E4.2-E6.2 circuit-breakers throughout their life cycle, from reception to installation, and from commissioning to subsequent maintenance during operation, with particular attention to the environment at the end of the life cycle of the product.

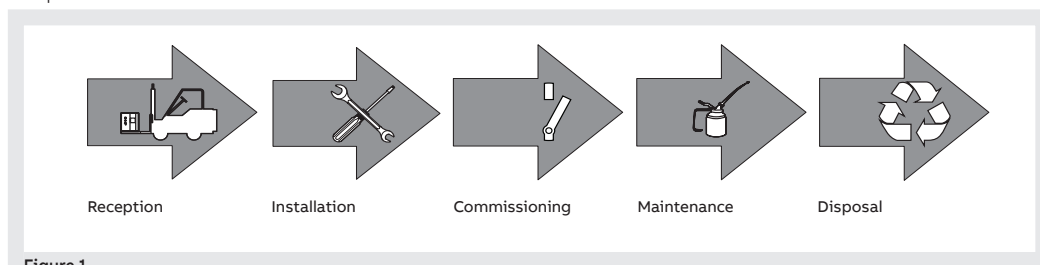


Figure 1

**Integrated informations** A full description of Emax 2 circuit-breakers is available in document [1SDH001330R1002](#) (Emax 2 engineering manual) available on the website ABB library.



**IMPORTANT:** all codes and documents mentioned in this document refer to Emax 2 configured with Trip unit Firmware version= 3.xx.

If the Firmware version of the Trip unit on the Emax 2 circuit-breaker =2.xx, consult document [1SDH001330R0002](#) available on the website ABB library.

**recipients** This manual refers to two user profiles, as defined by standard IEC 60050:

- Electrically Skilled Person (IEV 195-04-01): person with relevant education and experience to enable him or her to perceive risks and to avoid hazards which electricity can create.
- Trained Persons in the electrical field (IEV 195-04-02): person adequately advised or supervised by electrically skilled persons to enable him or her to perceive risks and to avoid danger which electricity can create.

**IMPORTANT:** This manual specifically indicates what operations can be performed by people trained in the field of electricity. All the remaining operations described in the handbook must be performed by skilled persons, in the electrical field. ABB declines all liability for damage to persons or property caused by failure to comply with the instructions in this document.

**Specifications and supporting documents** To ensure that the Emax 2 circuit-breaker is installed and configured correctly, please read the information in this manual and in the technical documentation of the product, supplied with the circuit-breaker or available in the website [ABB LIBRARY](#)

Document	Description
1SDH001330R1002	Manual for design engineers with full information about the trip units and accessories for Emax 2
1SDH001316R1002	Manual of Ekip Touch trip units for Emax 2 circuit-breakers
1SDC200023D0906	Sace Emax 2 CBs General catalog
1SDM000091R0001	Sace Emax 2 CBs Circuit diagrams
1SDH001140R0001	Communication System Interface for Emax 2 CBs

**Design notes** The information in this manual was written in Italian and then translated into other languages to conform to the laws and/or commercial requirements concerning the product.

## 2 - Safety

### Warnings

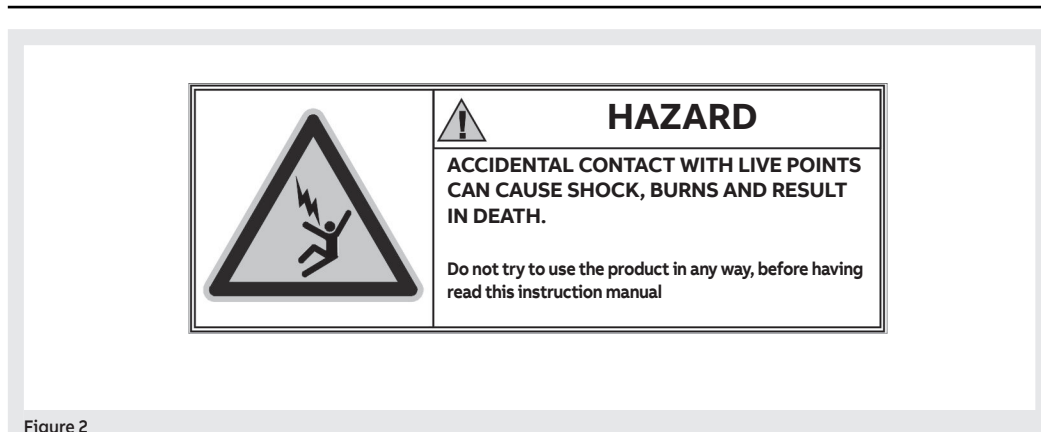


Figure 2

The following warnings must be respected:

- **READ THE INSTRUCTIONS CAREFULLY BEFORE TRYING TO INSTALL, OPERATE OR REPAIR THE CIRCUIT BREAKER;**
- store these instructions along with other documents for instruction, maintenance and installation, drawings and descriptive notes on the circuit-breaker;
- keep these documents available during the installation, operation and maintenance of the appliance. The use of these instructions facilitates proper maintenance;
- install the circuit-breaker within the limits of the project described in the instruction manual shipped with the unit. These circuit-breakers are designed to operate with values of voltage and current within the limits of plate ratings. Do not install this equipment in systems operating at nominal values exceeding these limits;
- follow the safety procedures indicated by Your Company;
- do not open any covers or doors, do not work on devices before removing power from all circuits, and after making sure of that with a measuring instrument.

#### **WARNING!**

- detailed descriptions of standard procedures for installation, use, maintenance and principles for safe operation are not included. It is important to note that this document contains safety and precaution instructions, against certain methods (of installation, use and maintenance) that could cause harm to personnel, damage devices, or make them unsafe;
- these warnings and alarms do not include all conceivable ways to make installation, use and maintenance recommended by ABB or not, that may be made, or possible consequences and complications of each conceivable way, nor shall ABB investigate all those ways;
- anyone using maintenance procedures or devices, recommended by ABB or not, must check thoroughly that neither personal safety nor the safety devices are endangered by mode of installation, use, maintenance or the instruments used. For more information, questions or specific problems contact your nearest ABB representative;
- this manual is addressed to qualified personnel only and is not intended to replace an adequate training course or experience concerning the safety procedures of this device;
- for the products equipped with communication, the purchaser, the installer or the final customer is responsible for applying all the IT safety measures necessary in order to prevent risks deriving from connection to communication networks; such risks include, among other things, the use of the product by unauthorized persons, alteration of its normal functionality, accessing and modifying the information;
- the purchaser, installer or end user is responsible for ensuring that notices and safety signs are posted and that all access points and switching devices are locked securely when the switchgear is left unattended, even momentarily;
- all the information contained in this document reflects the latest product information available at the time of printing. We reserve the right to edit the document at any time and without notice

---

## 3 - Regulations

---

**Standards** The SACE Emax 2 circuit-breakers and their accessories comply with the following international standards:

- IEC 60947
- EN 60947
- CEI EN 60947
- IEC 61000
- UL 1066
- UL 489

They comply with the following EC directives:

- "Low Voltage Directives" (LVD) No. 2006/95/EC
- "Electromagnetic Compatibility Directive" (EMC) No. 2004/108/EC

The SACE Emax 2 circuit-breakers also feature a range certified according to these standards:

- Russian - GOST (Russia Certificate of Conformity)
  - Chinese - China CCC (China Compulsory Certification)
-

# Management operations

## 1 - Transport and checking on receipt

**Introduction** The SACE Emax 2 circuit-breakers, on account of their weight, require special attention during transport and handling.

They are distributed with following packages:

- one package for fixed circuit-breaker
- two packages for withdrawable circuit-breakers (one package for the fixed part and one for the mobile part).



**WARNING! comply with the following instructions during each transport phase:**

- **The movable part of the circuit-breaker must be removed from the switchgear and/or from the relative fixed part even if this latter is not installed in the switchgear.**
- **The circuit-breaker must be in the open position.**
- **The circuit-breaker must be protected and fastened in its original packing.**
- **The closing springs of the circuit-breaker must be completely discharged.**

### Weight of the circuit-breakers with packaging

The following table specifies the weights of the circuit-breakers with packaging:

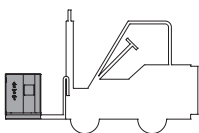
	Fixed (kg/lbs)			Withdrawable (kg/lbs)					
				Moving part			Fixed part		
	3P	4P	4P FS	3P	4P	4P FS	3P	4P	4P FS
E2.2	46/101	58/128		53/117	60/132		41/90	49/108	
E4.2	63/139	77/170		67/148	81/179		57/126	69/152	
E6.2	118/260	134/295	151/333	129/258	143/315	159/350	96/212	109/240	123/271
E2.2-A	50/110	63/139		59/130	68/150		39/86	46/101	
E4.2-A	66/154	81/179		75/165	91/201		52/115	63/139	
E6.2-A	126/278	143/315	159/351	147/324	163/359	180/397	88/194	100/220	110/243



**NOTE:**

- *weights are indicated with reference to the basic circuit-breakers including protection trip unit and its sensors, without terminals and without accessories.*
- *the weights of the fixed part of withdrawable circuit-breakers refer to the version with horizontal rear terminals.*

### Transport of the packaged circuit-breaker



Consult the table "Weight of the circuit-breakers with packaging" before proceeding with the transport.



**WARNING! improper lifting can result in death, serious injury to persons and damage to the equipment. Never lift a circuit-breaker and/or a fixed part above other people.**



**IMPORTANT: the qualified personnel tasked with handling and lifting work must use suitable safety equipment.**

**Identification of packaging**

Examine the state of the packaging and check that:

- the data on the packaging plate match the data of the order;
- the box is intact and perfectly closed.

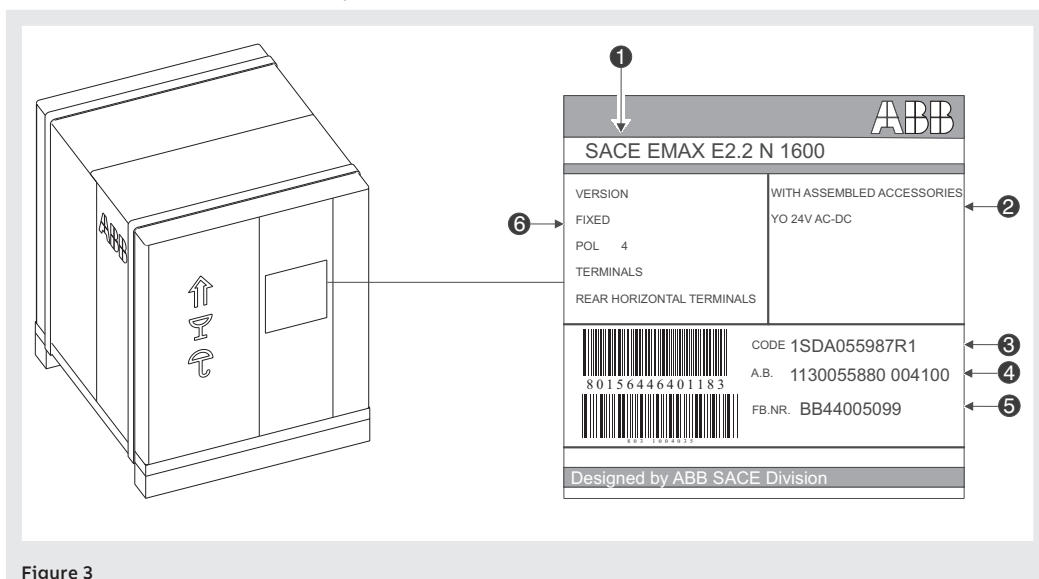


Figure 3

Pos.	Description
1	Short description of the circuit-breaker
2	Description of accessories
3	Commercial code
4	Confirmation number and location
5	Circuit-breaker serial number
6	Features of the circuit-breaker

**Inspection of packaging**

Examine the state of the material received and verify that:

- The circuit-breaker or the fixed part are consistent with the order.
- The circuit-breaker or the fixed part are completely intact.



**IMPORTANT:**

- **If the material is to be stored, check it beforehand. For opening the packaging, follow the procedures outlined in the section "Unpacking and handling - opening the packages" on page 10**
- **In the case of any inconsistencies, report them within five days of reception. See the paragraph "Damage and Discrepancy Report" in this chapter.**

**Damage and Discrepancy Report**

If there is any damage to the packaging upon receipt and / or inconsistencies between order and product identification label or product please contact ABB. Damage to the packaging must be reported no later than seven days from receipt of the material.



**NOTE:** *The notification must indicate the Packing List number.*

- Storage method** Place the packaging (circuit-breakers and / or fixed parts) on a horizontal plane, not in contact with the floor. If the circuit-breaker has been removed and reinserted in the package ensure, prior to storage that:
- The circuit-breaker is in the open position and the springs are discharged. See the paragraph Manual operations for opening and closing the circuit-breaker on page 16.
  - The circuit-breaker is protected and locked in its original packaging



**WARNING! up to three E2.2 and E4.2 circuit-breaker packages and up to two E6.2 circuit-breaker packages can be stacked. If the packaging has been opened, you can stack the circuit-breakers on condition that the package is re-wrapped as the original.**

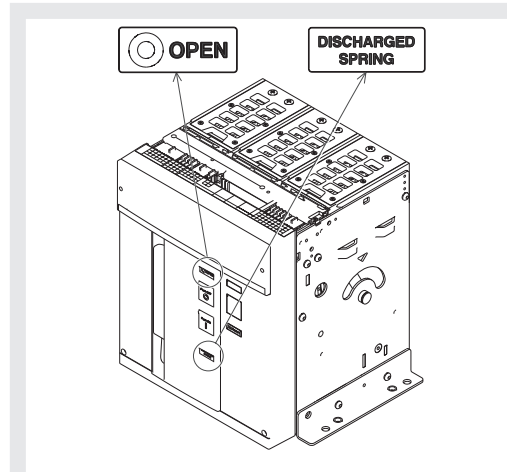


Figure 4

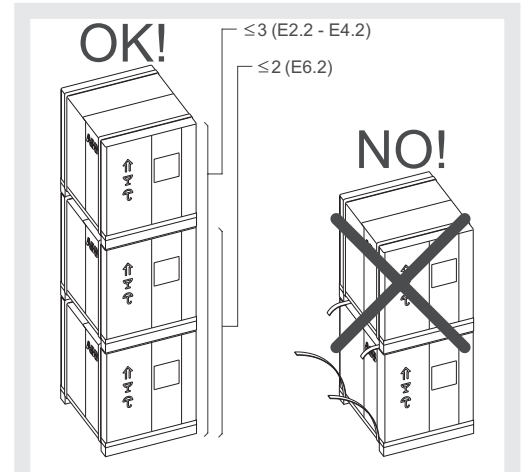


Figure 5

## 2 - Unpacking and handling

### Opening the packaging



**NOTE:** consult the instruction sheet in the pocket applied to the package in order to unpack in conditions of safety.

The following is the procedure for opening the packaging:

1. Cut the bands that wrap the packing box. See Figure 6 and Figure 7.

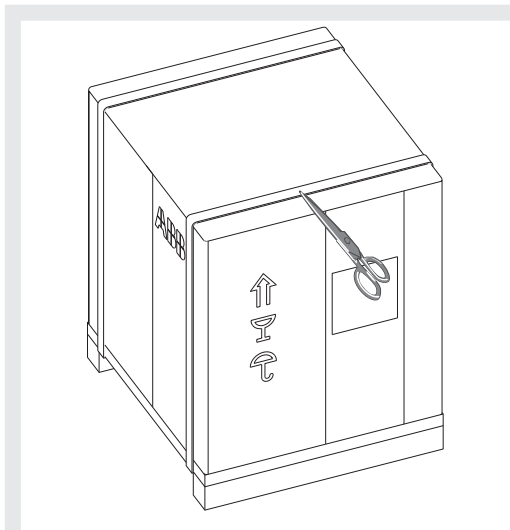


Figure 6

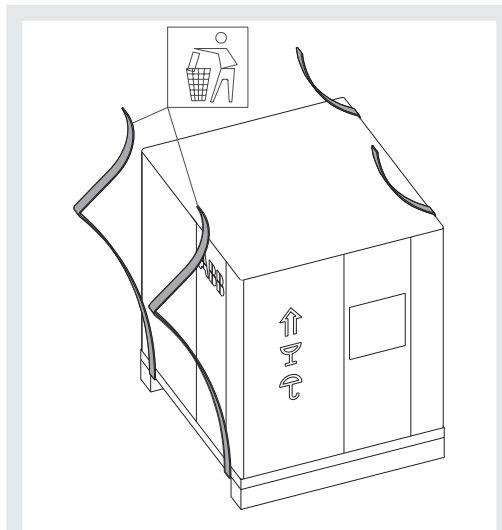


Figure 7

2. Open the upper part of the packing box. See Figure 8.
3. Remove the packing box by lifting it upwards. See Figure 9.

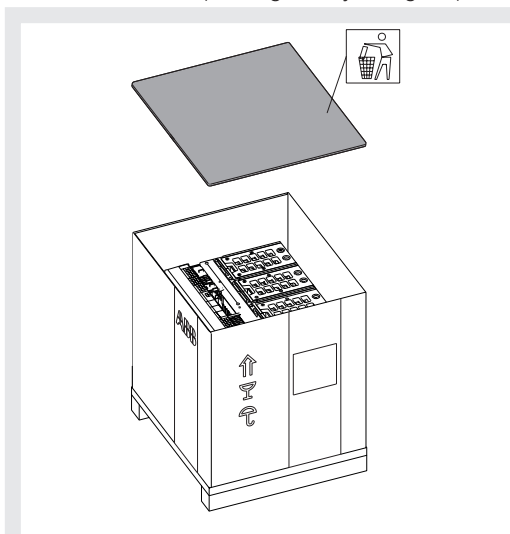


Figure 8

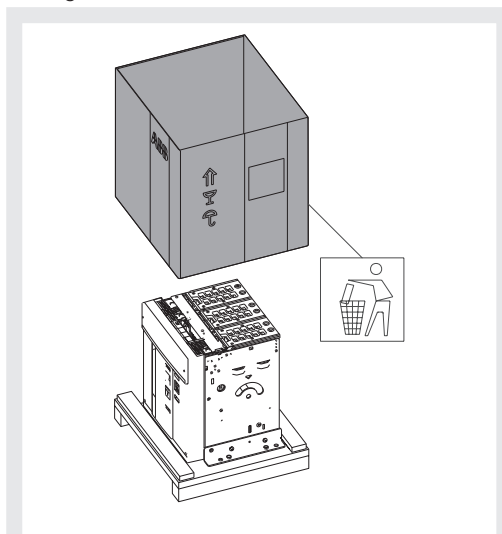


Figure 9

Continued on the next page

4. Take out the screws (see Figure 10 Fixed circuit-breaker). Take out the screws and the mounting brackets (see Figure 11 Moving part IEC, Figure 12 Moving part UL, Figure 13 Fixed part IEC and Figure 14 Fixed part UL).

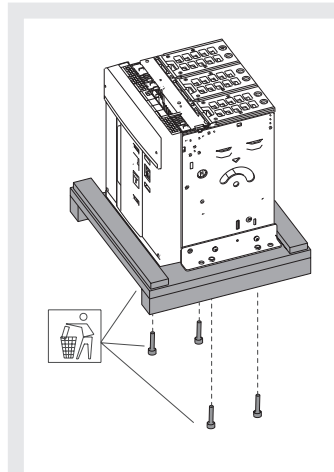


Figure 10 Fixed circuit-breaker

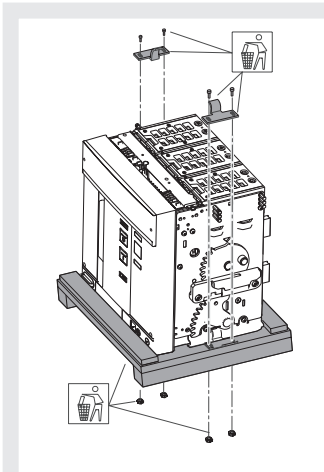


Figure 11 Moving part IEC

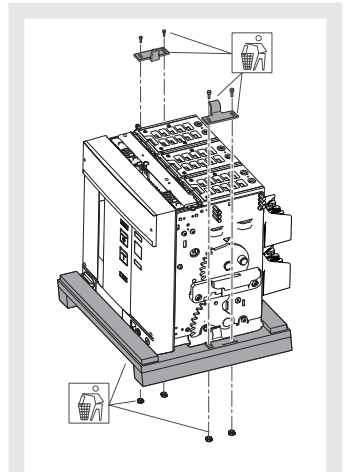


Figure 12 Moving part UL

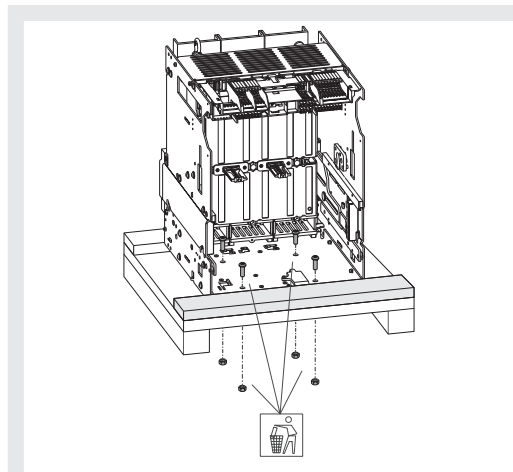


Figure 13 Fixed part IEC

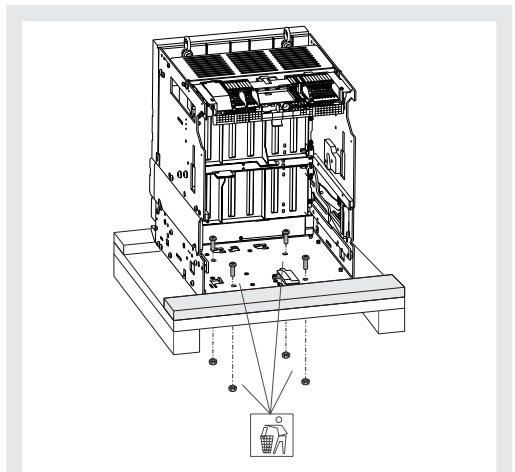


Figure 14 Fixed part UL

### Disposal of the packaging materials

For disposal of the packaging materials see the chapter " 4 - Decommissioning and treatment at end of life " on page 53.

**Weight of circuit-breakers without packaging**

The following table specifies the weights of the circuit-breakers without packaging:

	Fixed (kg/lbs)			Withdrawable (kg/lbs)					
	3P	4P	4P FS	Moving part			Fixed part		
				3P	4P	4P FS	3P	4P	4P FS
E2.2	41/90	53/117		48/106	55/121		36/79	44/97	
E4.2	56/123	70/154		60/132	74/163		50/110	62/137	
E6.2	109/240	125/276	140/309	120/265	134/295	148/326	87/192	100/220	112/247
E2.2-A	45/99	58/128		54/119	63/139		34/75	41/90	
E4.2-A	59/130	74/163		68/150	84/185		45/99	56/123	
E6.2-A	115/254	132/291	148/326	136/300	152/335	169/373	77/170	89/196	99/218



**NOTE:**

- the weights indicated in the table refer to the basic circuit-breakers including relays and its sensors, without terminals and without accessories.
- the weights of the withdrawable circuit-breakers refer to the weight of the fixed part in a version with horizontal rear terminals.

Lift the fixed circuit breaker or the moving part of a withdrawable circuit-breaker



**WARNING! Improper lifting can result in death, serious injury to persons and damage to the equipment. Never lift a circuit-breaker and / or a fixed part above other people.**



**IMPORTANT: The trained personnel in charge of handling and lifting must use appropriate safety equipment.**

To lift the fixed circuit-breaker or moving part of withdrawable device:

1. Raise the circuit-breaker from the base of the packaging with the aid of lifting plates, to be purchased separately. See Figure 15 and Figure 16.

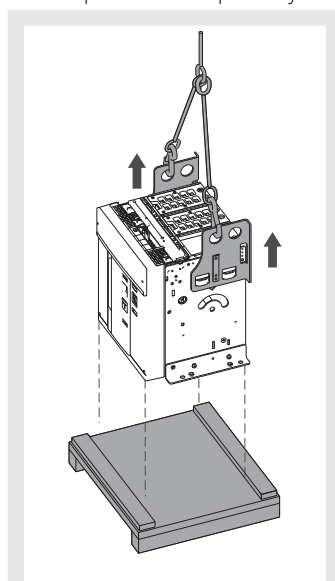


Figure 15

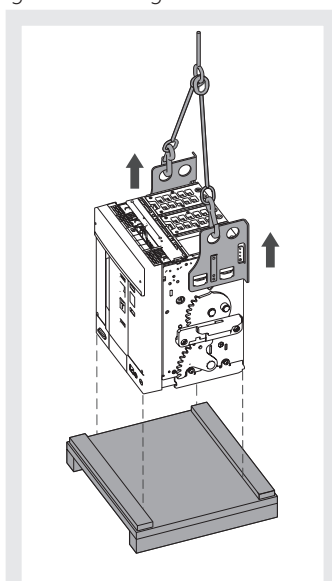


Figure 16

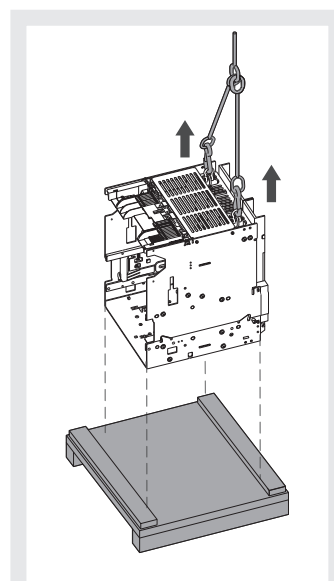


Figure 17

To raise the fixed part of the circuit-breaker

1. Raise the fixed part from the base of the packaging with the aid of the two hooks supplied with the fixed part. See Figure 17.



**IMPORTANT: keep the lifting plates for the circuit breaker, the lifting hooks of the fixed part and the manual of the circuit-breaker until disposal.**

## 3 - Description

**Description of circuit-breaker** The Emax E2.2-E4.2-E6.2 circuit-breakers consist of a steel structure in which the operating mechanism, the poles and the auxiliary parts are located.

Each pole, isolated from the others, contains the breaking parts and the current transformer of its own phase.

The circuit-breaker is available in two types:

- fixed version
- withdrawable

The circuit-breaker in fixed version (see Figure 18) has its own terminals for connection to the power circuit.

The withdrawable circuit breaker consists of a mobile part (see Figure 19) and of a fixed part (see Figure 20 for IEC and Figure 21 for UL) for connection through its own terminals to the power circuit.

The coupling between the mobile part and the fixed part is via disconnection contacts mounted on the fixed part.

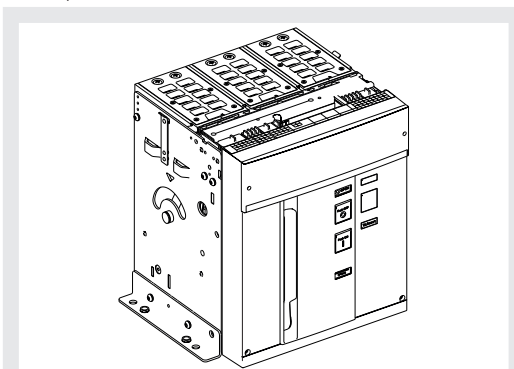


Figure 18

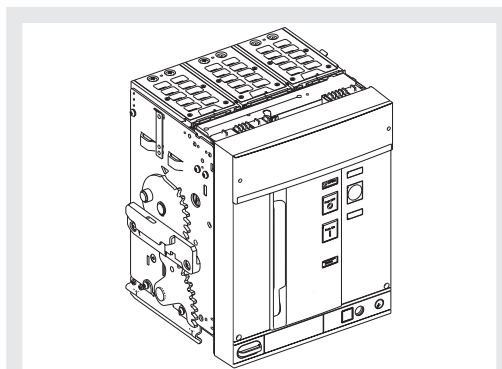


Figure 19

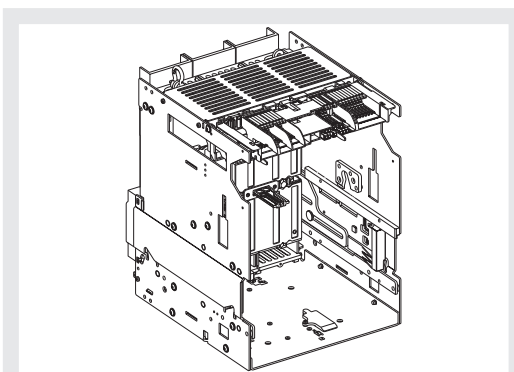


Figure 20

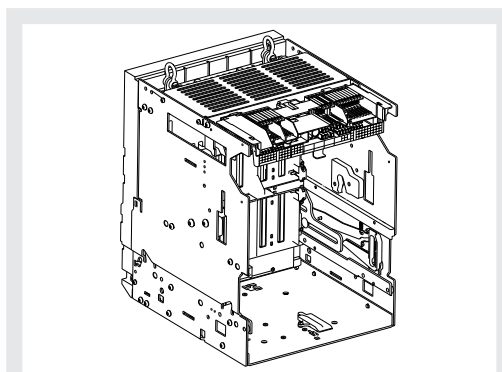


Figure 21

**Description of the circuit-breaker front panel**

The following are the main components of the circuit-breaker:

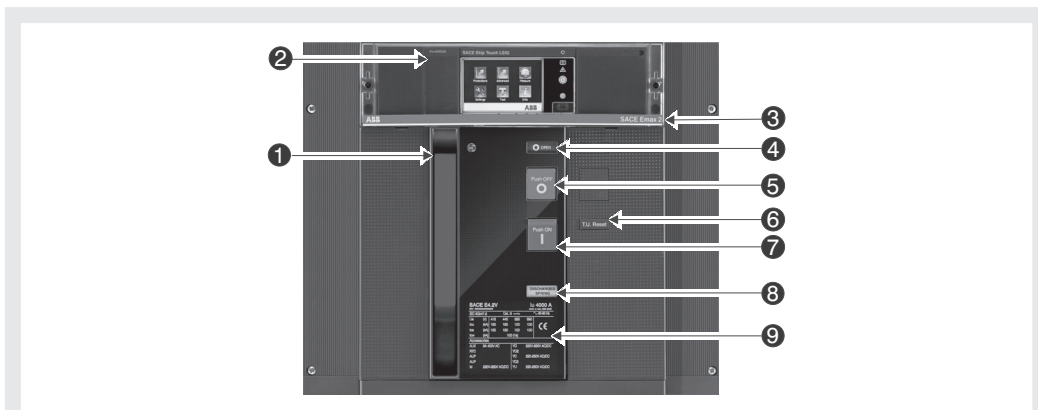


Figure 22

Pos.	Description
1	Lever for manually charging the closing springs
2	Ekip protection trip unit
3	Name of the circuit-breaker
4	CB open (O) / closed (I) indicator
5	Opening pushbutton
6	Mechanical signalling of tripped TU
7	Closing pushbutton
8	Springs charged-discharged signalling device
9	Electrical data plate

**Description of electrical data plate IEC**

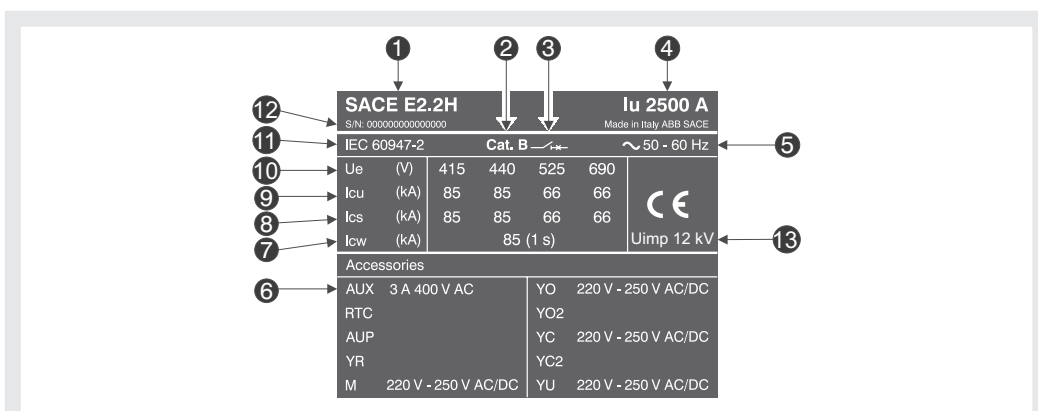


Figure 23

Pos.	Description
1	Type of circuit-breaker
2	Utilization category
3	Device type: Circuit-breaker or switch-disconnector
4	Rated current
5	Rated operating frequency
6	Rated voltage of accessories
7	Admissible rated short-time current
8	Rated duty short-circuit breaking capacity
9	Rated ultimate short-circuit breaking capacity
10	Rated service voltage
11	Standards
12	Circuit-breaker serial number
13	Impulse voltage

Description of electrical data plate UL

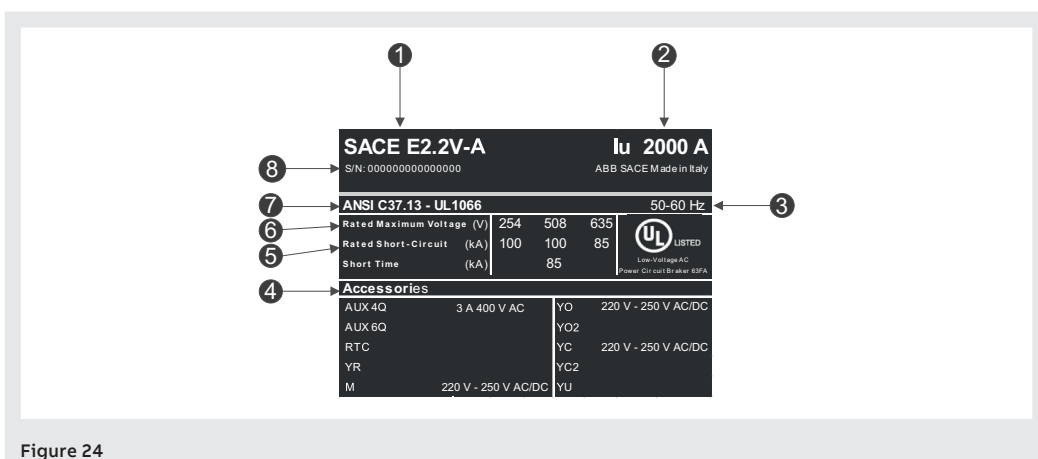


Figure 24

Pos.	Description
1	Type of circuit-breaker
2	Rated current
3	Rated operating frequency
4	Rated voltage of accessories
5	Rated short-circuit breaking capacity
6	Rated service voltage
7	Standards
8	Circuit-breaker serial number

## Manual operations for opening and closing the circuit-breaker

The following is the sequence of steps for closing and opening the circuit-breaker:

1. Check that the circuit-breaker is open (open / closed indicator "O - OPEN"), and check that the springs are discharged (spring signalling device "white - DISCHARGED SPRING") as indicated in Figure 25.
2. Charging the springs - Pull the lever [A] downwards several times until the springs charged signalling device [B] is "yellow - CHARGED SPRING" as indicated in Figure 26.

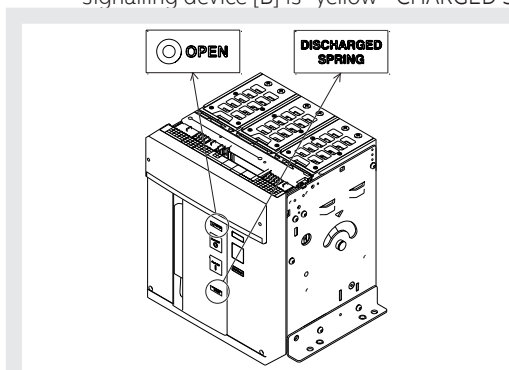


Figure 25

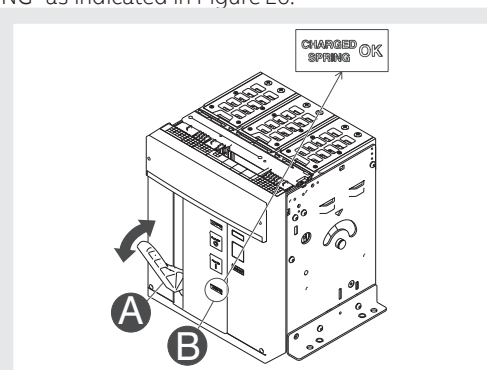


Figure 26

3. Check that the circuit-breaker is open (open/closed signalling device "O - OPEN"), and check that the springs are charged (springs signalling device "yellow - CHARGED SPRING") as indicated in Figure 27.
4. Closing - Press the closing pushbutton "I - Push ON" as indicated in Figure 28.

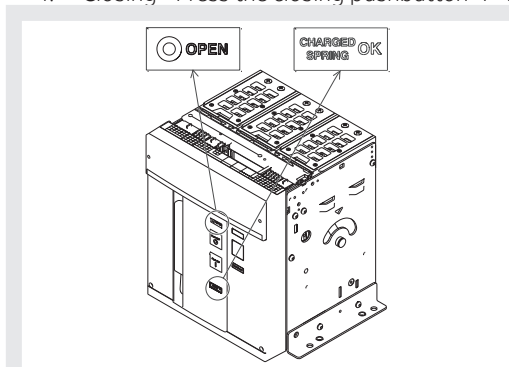


Figure 27

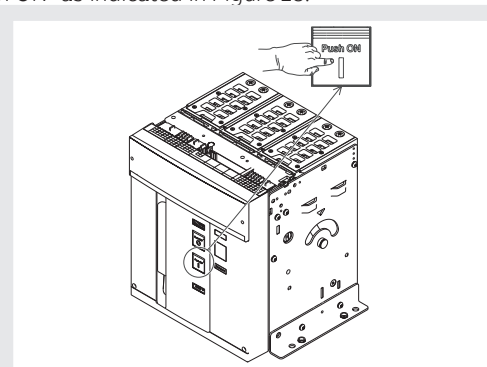


Figure 28

5. Check that the circuit-breaker is closed (open/closed indicator "I - CLOSED"), and check that the springs are discharged (spring signalling device "white - DISCHARGED SPRING") as indicated in Figure 29.
6. Opening - Press the opening pushbutton "O - Push OFF" as indicated in Figure 30.

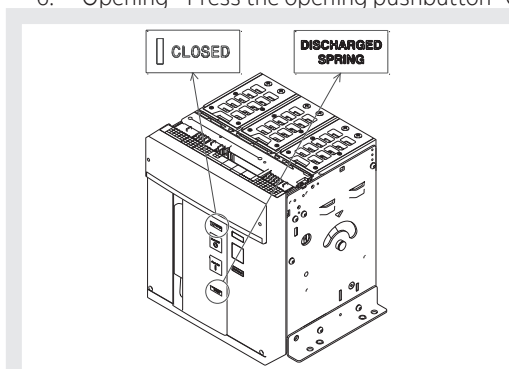


Figure 29

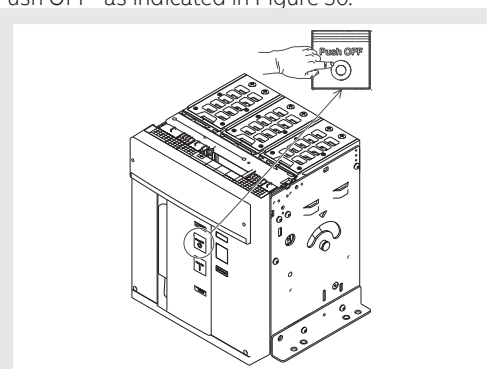


Figure 30

Continued on the next page

7. Check that the circuit-breaker is open (open / closed indicator "O - OPEN"), and check that the springs are discharged (spring signalling device "white - DISCHARGED SPRING") as indicated in Figure 31.

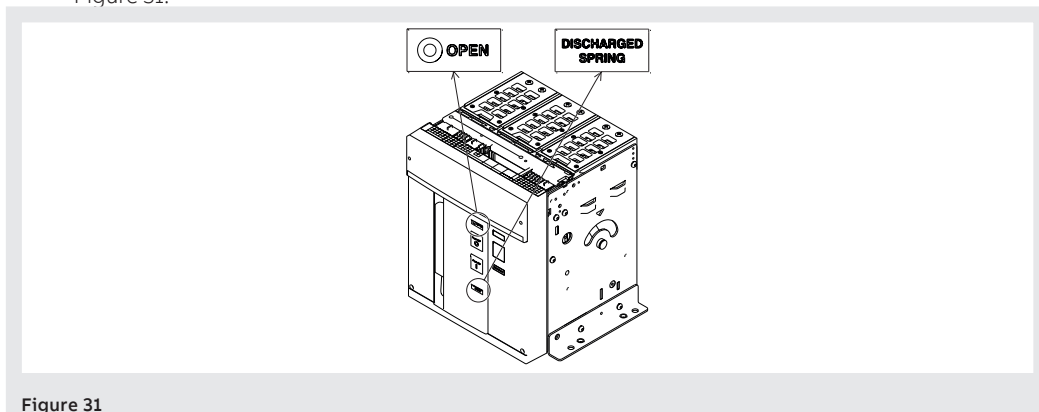


Figure 31

### Mechanical status indicators

The following are the possible states in which you can find the circuit-breaker:

1. Circuit-breaker open with springs discharged (see Figure 32).
2. Circuit-breaker open with springs charged (see Figure 33).
3. Circuit-breaker closed with springs discharged (see Figure 34).
4. Circuit-breaker closed with springs charged and not ready to close (see Figure 35). This state occurs when after closing (see step 4 - Manual operations for opening and closing the circuit-breaker) the springs are recharged manually or automatically by the gearmotor (if provided).
5. Circuit-breaker open with springs charged and not ready to close (see Figure 36). This state occurs in the following cases:
  - The circuit-breaker is open due to tripping of protection trip units and the Reset signal has not been reset. To close the circuit-breaker press the TU Reset pushbutton on the front of the circuit-breaker.
  - The key lock or padlock is active in the open position.
  - The undervoltage coil is de-energized
  - The opening coil is permanently energized.
  - The closing coil is permanently energized.
  - The pushbutton for enabling the insertion/extraction crank of a withdrawable circuit-breaker is pressed.

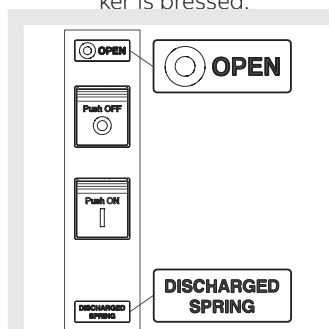


Figure 32

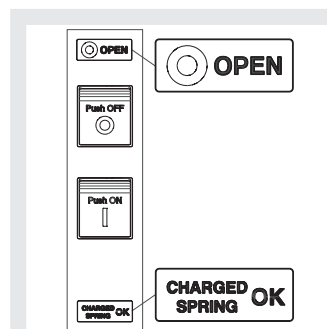


Figure 33

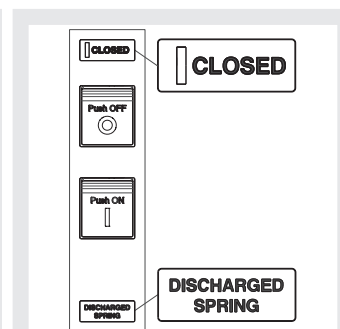


Figure 34

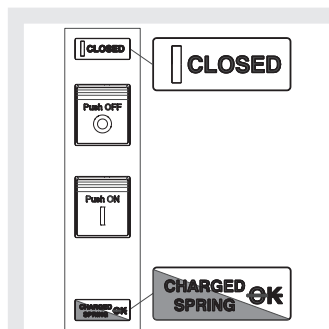


Figure 35

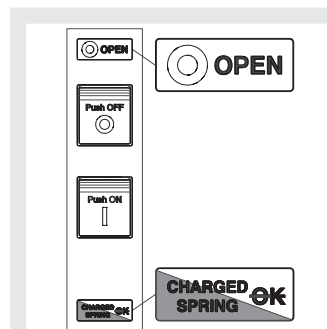


Figure 36

## Circuit breaker racking-in/ racking-out operations

The following is the procedure for the insertion of the moving part in the fixed part:



### WARNING!

- Make sure the circuit-breaker is disconnected from all sources of energy.
- Switch the circuit-breaker to the open position with springs discharged.



**WARNING! Before proceeding, remove all equipment used during the work and remove processing waste and materials used.**

1. Turn plate through 90° before inserting the moving part.
2. Extract the guides of the fixed part using the appropriate levers. See Figure 37.

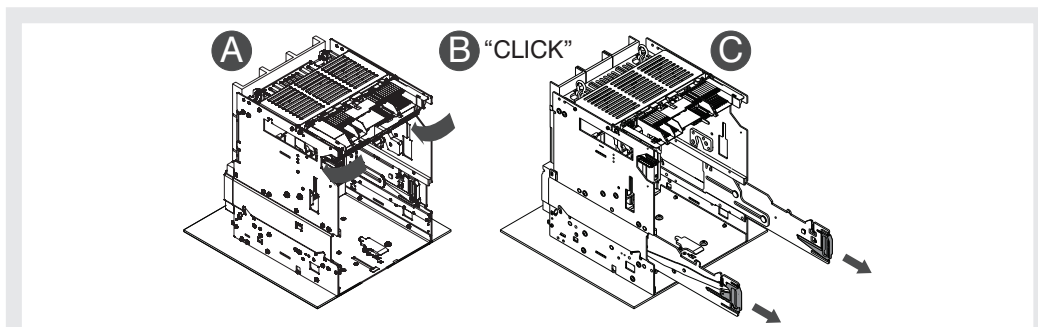


Figure 37

3. Position the lifting plates on the mobile part making sure that the tongue of the plates is latched properly. See Figure 38.

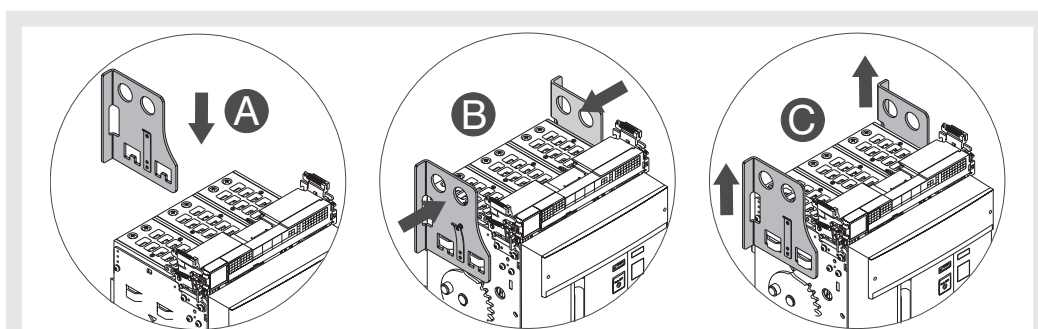


Figure 38

4. Position the moving part on the guides of the fixed part. Latch by inserting the hollow part of the side in the latch of the guide of the fixed part. See Figure 39.

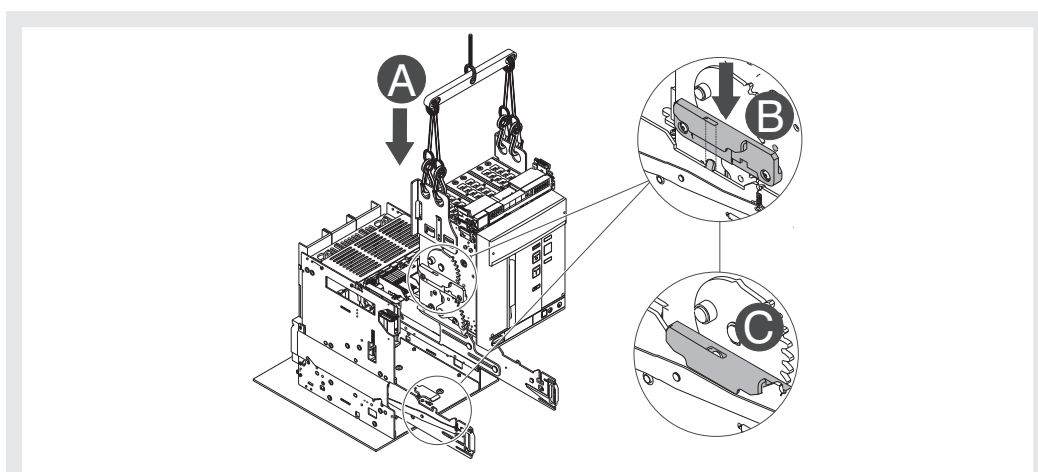


Figure 39

Continued on the next page

5. Unlatch the tongue and remove the lifting plates from the moving part. See Figure 40.

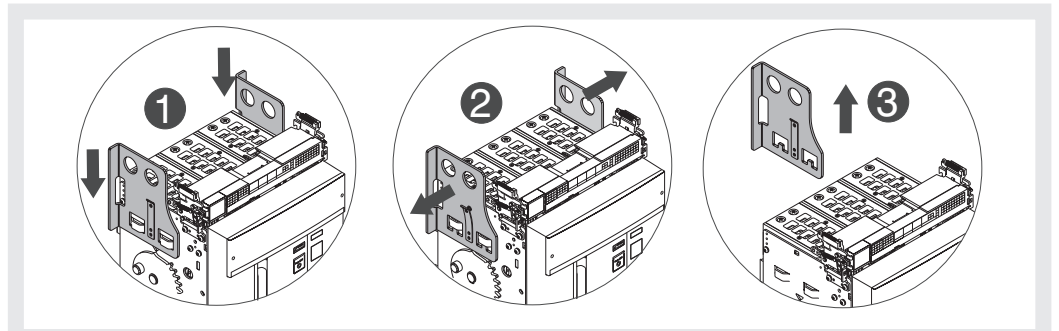


Figure 40

6. Make sure that the signalling device indicates the **DISCONNECT** position. See Figure 41.

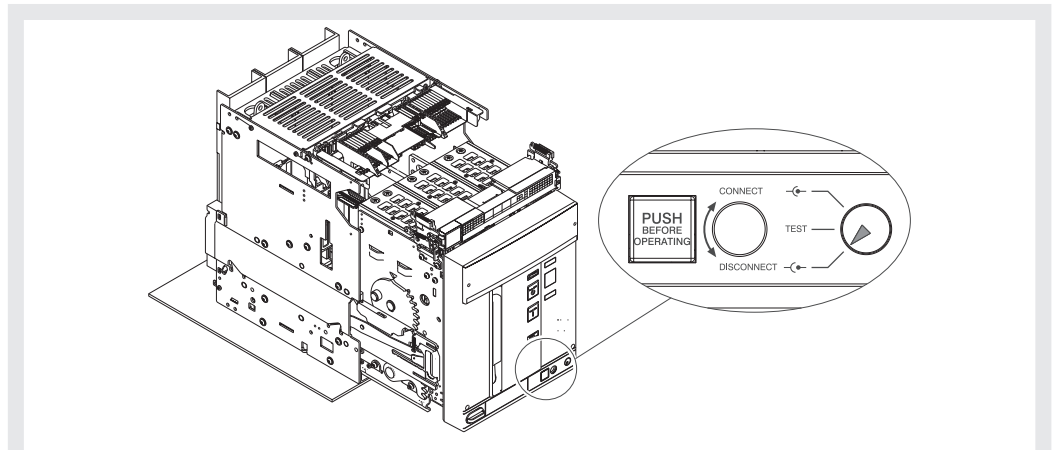


Figure 41

7. Grip the guide levers of the fixed part and push them until the moving part stops. See Figure 42.

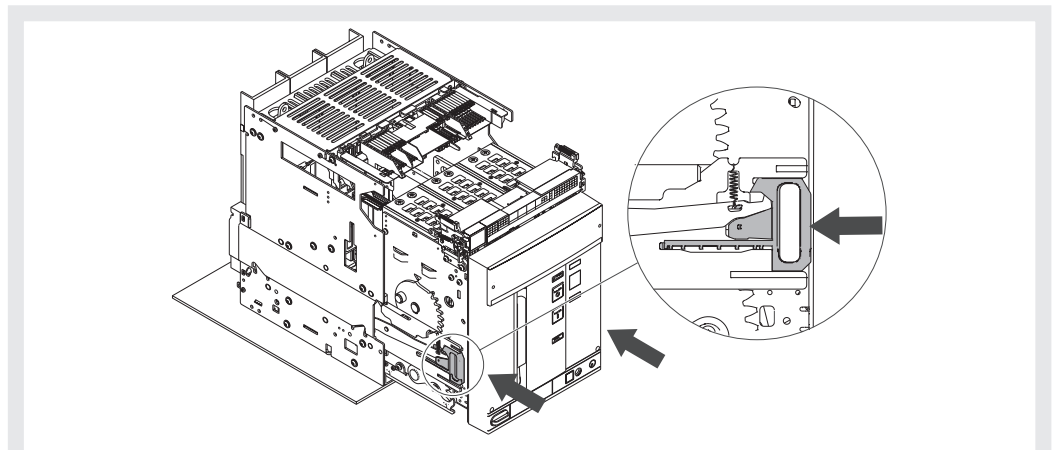


Figure 42

Continued on the next page

8. Extract the disconnection crank from its housing See Figure 43.
9. Press the lock pushbutton and fit the handle into the moving part. In this phase, the moving part will still be in the **DISCONNECT** position. See Figure 44.

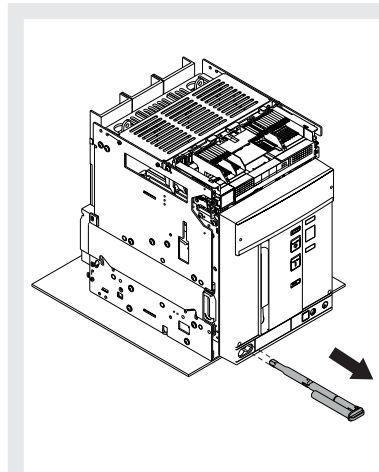


Figure 43

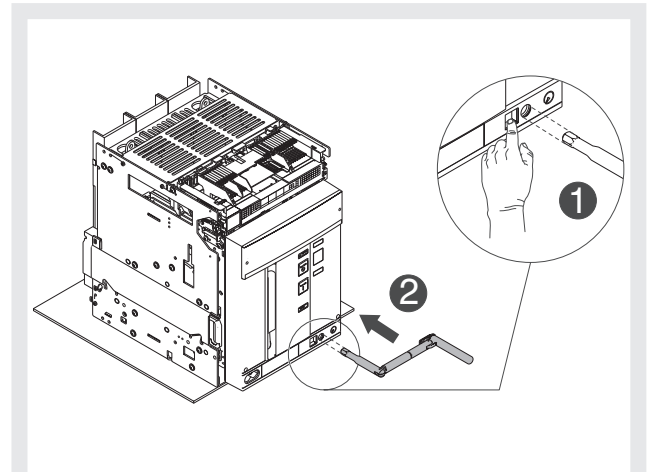


Figure 44

10. Turn the crank clockwise until the pushbutton comes out and the indicator shows that the circuit-breaker is in **TEST** position. See Figure 45.

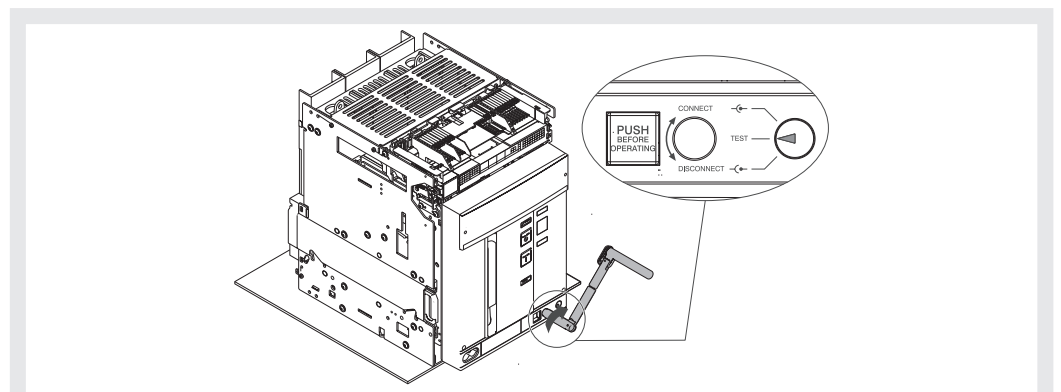


Figure 45

11. Press lock pushbutton and turn handle clockwise until pushbutton projects and signaling device indicates that circuit-breaker is in position **CONNECT**. See Figure 46.

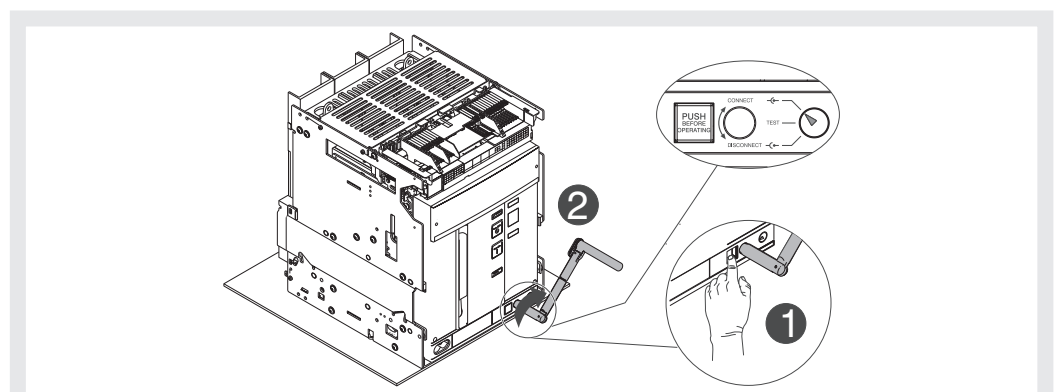


Figure 46

Continued on the next page

12. Extract the crank. See Figure 47.
13. Replace the crank in its housing See Figure 48.

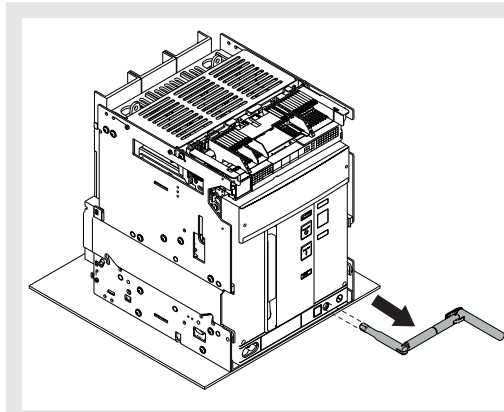


Figure 47

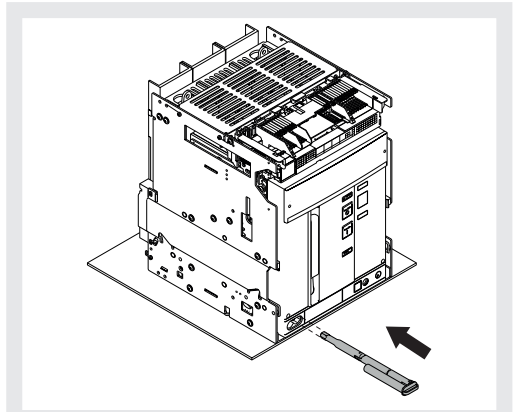


Figure 48



**WARNING!** The inserted circuit-breaker must be opened in order to be able to reach the test position. On the UL version, the fail safe prevents the removal of the circuit-breaker from the fixed part with springs charged. Discharge the springs before removing the circuit-breaker from the fixed part. For further details, consult the Mechanical safety accessories chapter in the document [1SDH001330R1002](#).

To extract the moving part from the fixed part, perform the same steps indicated for insertion in reverse order.

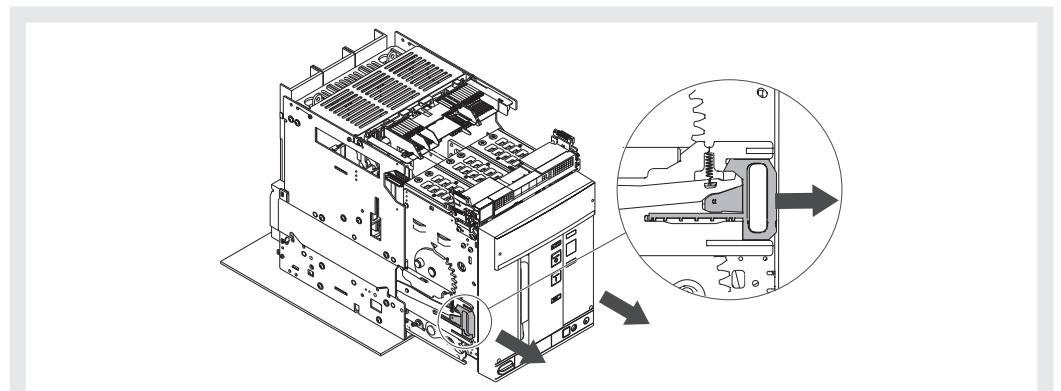


Figure 49

Continued on the next page

Always use both levers of the guides on the fixed part when racking out the circuit-breaker. See Figure 49.

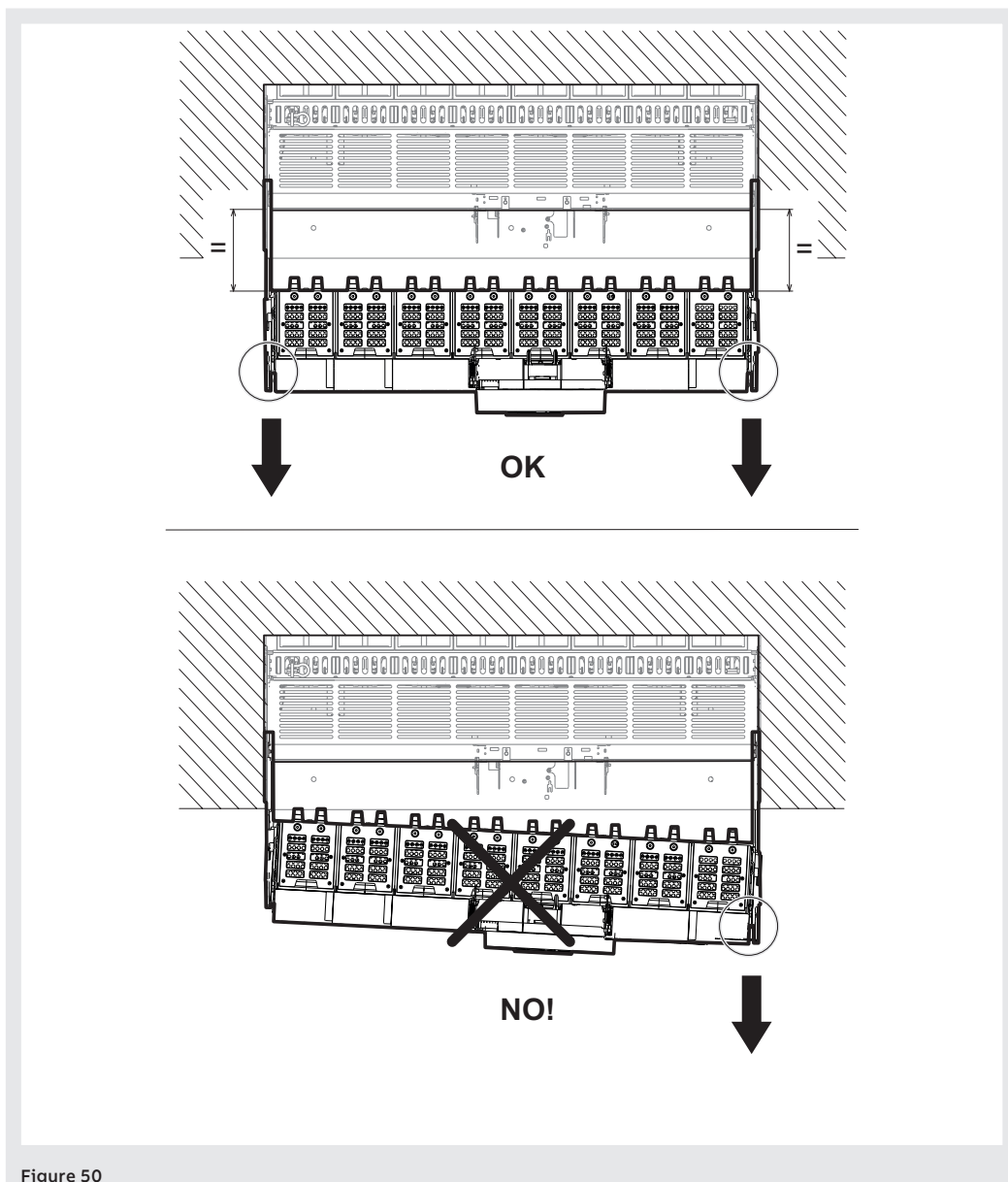


Figure 50

**WARNING!** When withdrawing the moving part, make sure that both guides on the fixed part travel to the same extent, thereby keeping the moving part parallel to the fixed part. See Figure 50.

**Mechanical position indicators**

The following are the possible positions where you can find the mobile part of a withdrawable circuit-breaker during its use:

- circuit breaker in DISCONNECT position (see Figure 51)
- circuit-breaker in test position (see Figure 52)
- circuit-breaker in CONNECT position (see Figure 53)

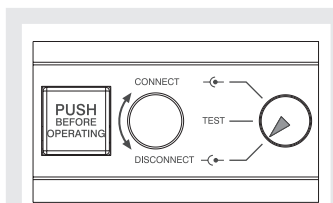


Figure 51

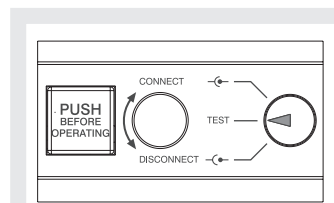


Figure 52

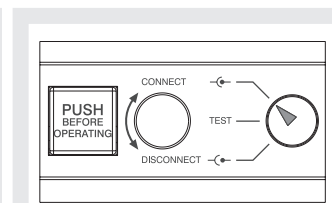


Figure 53

## 4 - Environmental conditions

Details related to this chapter are available in the manual [1SDH001330R1002](#) (Emax 2 engineering manual) available on the website ABB library.

## 5 - Installation

### Warnings and precautions before the installation

The following warnings and precautions must be respected before installing the circuit-breaker in the switchgear



#### WARNING!

- **Disconnect the power from the circuit-breaker (power circuit and auxiliary circuits)**
- **Make sure the circuit-breaker is disconnected from all sources of energy**
- **Switch the circuit-breaker to the open position with springs discharged**



**NOTE:** *the qualified personnel tasked with handling and lifting work must use suitable safety equipment.*

### Mounting of the fixed circuit-breaker

Fix the circuit-breaker to a horizontal surface using 4 x M10 screws. Lock the screws with tightening torque 40 Nm - 354 lb in (see Figure 54).

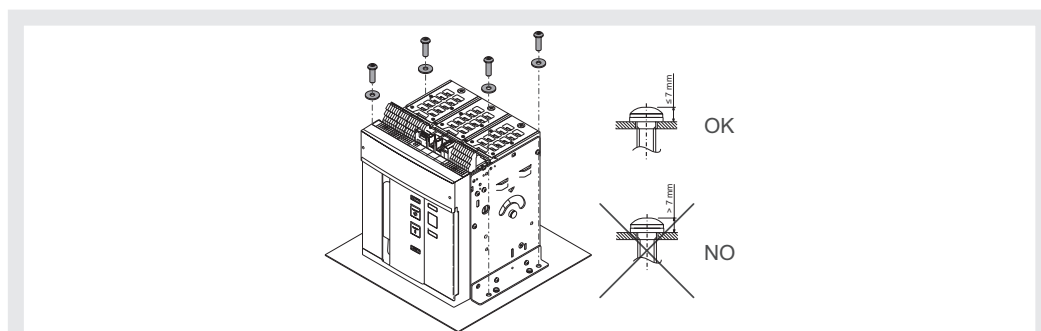


Figure 54



**WARNING! Emax E2.2-E4.2-E6.2 circuit breakers can only be installed in vertical position**

### Mounting anti-insertion locks

Before installing the fixed part, it is necessary to fit the lock that prevents the insertion of circuit-breakers with different electrical characteristics from the fixed part. See Figure 55.

Information on the assembly is available on the website <https://library.abb.com> in particular in the kit sheet [1SDH001000R0701](#).

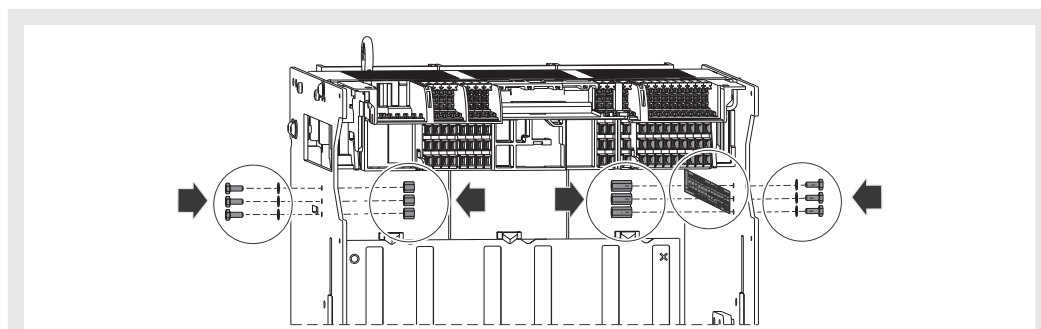


Figure 55

**Mounting the fixed part of the withdrawable circuit-breaker**

Fasten the fixed part to a horizontal surface using four M8 x 25 screws for E2.2 and E4.2 fixed parts, and using six M8 x 25 screws for E6.2 fixed parts. The screws are supplied by ABB. See Figure 56. Tighten the screws with tightening torque = 21 Nm - 186 lb in

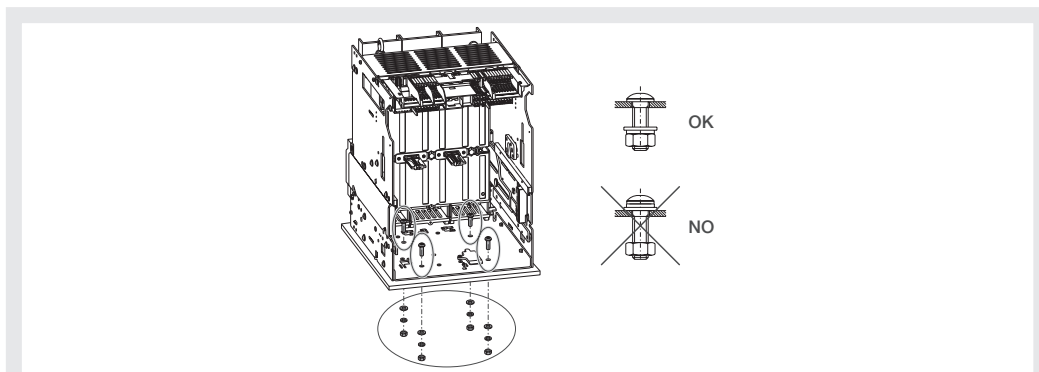


Figure 56

**⚠ WARNING! Emax E2.2-E4.2-E6.2 circuit breakers can only be installed in vertical position**

**Lateral fixing (only for circuit-breakers to "IEC 60068-2-6 Test Fc" standards)**

Further details about lateral fixing of fixed parts are available at <https://library.abb.com> especially in the kit sheet [1SDH001000R0821](#).

**Types of terminal**

SACE Emax 2 circuit-breakers can be equipped with different combinations of terminals for the upper and lower part.

The following are the different types of terminal:

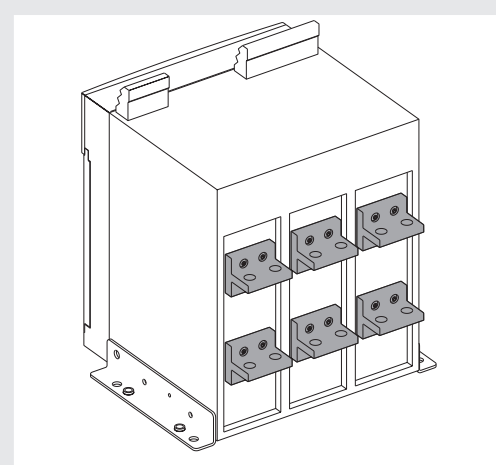


Figure 57 HR - Horizontal rear IEC

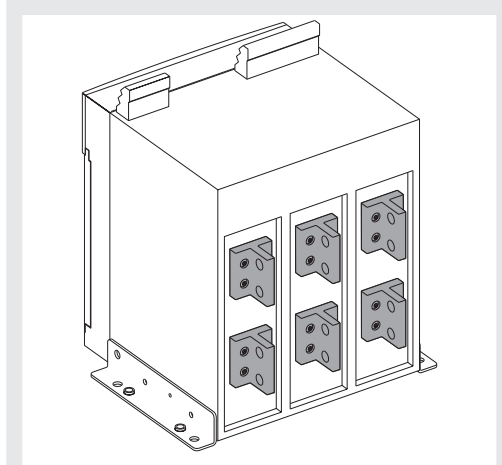


Figure 58 VR - Vertical rear IEC

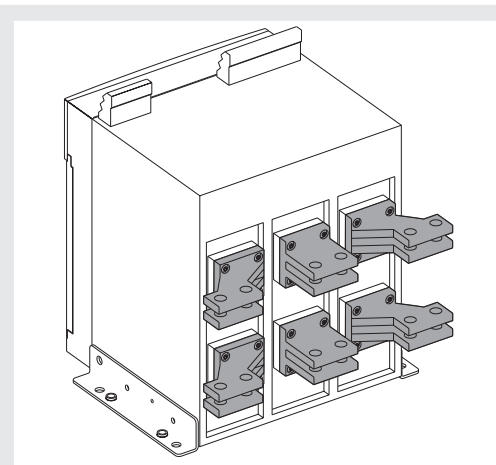


Figure 59 SHR - Spread horizontal rear IEC (E2.2)

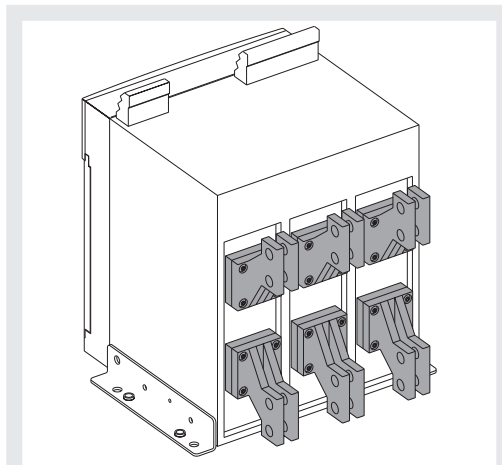


Figure 60 SVR - Spread vertical rear IEC (E2.2)

Continued on the next page

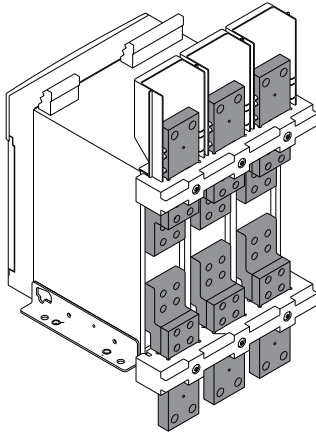


Figure 61 F - Frontal IEC-UL

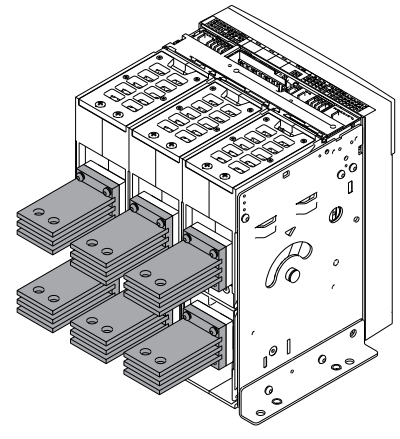


Figure 62 HR - Horizontal rear UL Listed

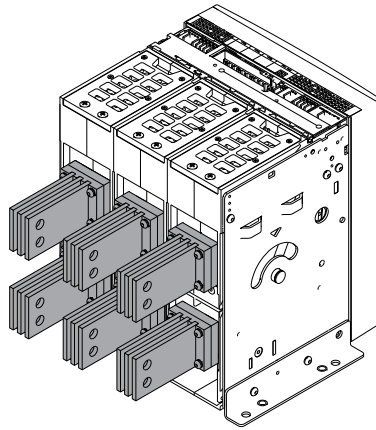


Figure 63 VR - Vertical rear UL Listed

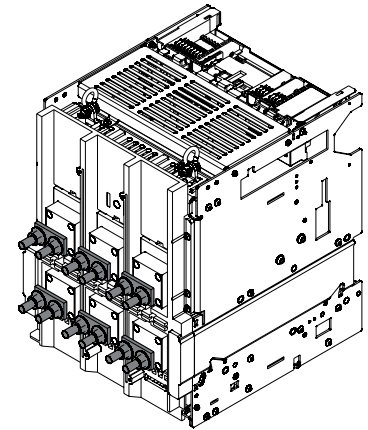


Figure 64 FL - Flat IEC

### Terminal compatibility

The table of terminals available for each circuit-breaker is given below.

			F	HR/VR	SHR	SVR	FL
E2.2	IEC	<=690 V	X	X	X	X	X <sup>(*)</sup>
		800/900 V	-	X	X	X	-
		1000/1150 V	-	X	-	-	-
E4.2	IEC	<=600 V	X	X	-	-	-
		<=690 V	X	X	-	-	X <sup>(*)</sup>
		800/900V	-	X	X	X	-
	1000/1150 V	-	X	-	-	-	
E6.2	IEC	1200 V	-	X	X	X	-
		<=600 V	X	X	-	-	-
		<=690 V	X	X	-	-	X <sup>(*)</sup>
	800/900 V	-	X	-	-	-	
UL <sup>(**)</sup>	<=600 V	X	X	-	-	-	
	<=690 V	X	X	-	-	-	

<sup>(\*)</sup> For withdrawable version only (W).

<sup>(\*\*)</sup> Information about specific installations is given in the kit sheet [1SDH001400R0805](https://library.abb.com) on the website <https://library.abb.com>.

## Change of position of the vertical/horizontal terminals

With the exception of versions E4.2 UL 3200A and 3600A, and E6.2 UL version 6000A, switching from horizontal to vertical and vice versa is possible at any time if the circuit-breaker is supplied equipped with horizontal/vertical rear terminals (see Figure 65 IEC and Figure 66 IEC). Lock the screws with the following tightening torques:

- E2.2 - M6 screws - Tightening torque 8.6 Nm - 70.8 lb.in
- E4.2 and E6.2 - M8 screws - Tightening torque 20 Nm - 177 lb.in

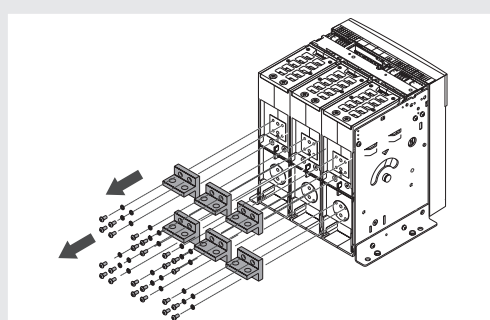


Figure 65 IEC

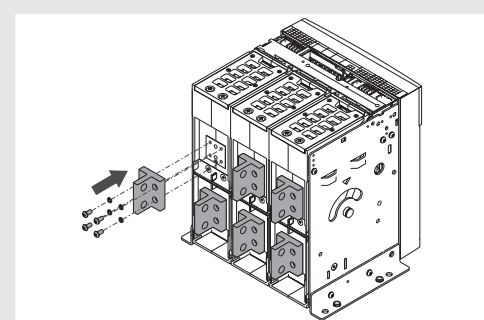


Figure 66 IEC

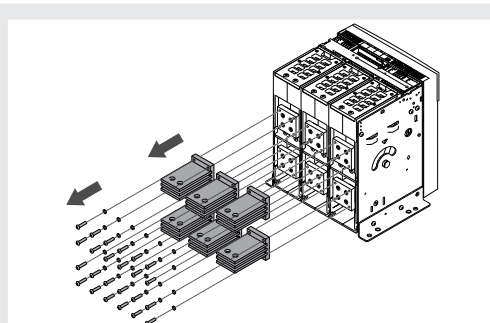


Figure 67 UL

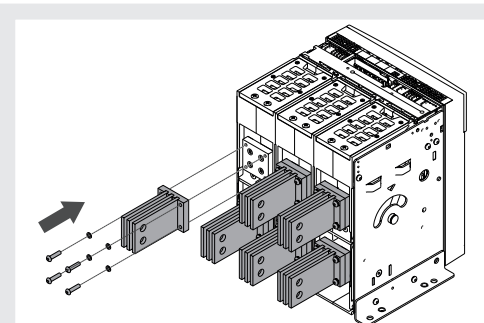


Figure 68 UL

**Clearances** Information on clearances is available on the website

<https://library.abb.com>

The following layout is also available [1SDH001301R0001](#) - Cubicle E1.2-E2.2-E4.2-E6.2

## Phase separators

Phase barriers are mandatory for 2ps configuration. For the 4ps configuration it is possible to place isolation barriers for the segregation of live parts. In addition, the phase separators are mandatory:

- If, between two phases, the minimum distance between the screws that fix the circuit-breaker terminals to the connection bars is less than 14 mm - 0.55".
- For circuit breakers version IEC >690V and UL >635V.

Information on the assembly is available on the website <https://library.abb.com> in particular in the kit sheet [1SDH001000R0810](#).

## Connection to the power circuit

A circuit-breaker is connected to the power circuit using the connection busbars of the switchboard fixed to the circuit-breaker terminals.

Emax 2 circuit-breakers are tested in accordance with standards IEC 60947.2-3, UL 1066 and UL 489.

The switchboard designer is responsible for busbar sizing, which must be validated by application of the tests provided for by the pertinent standards.

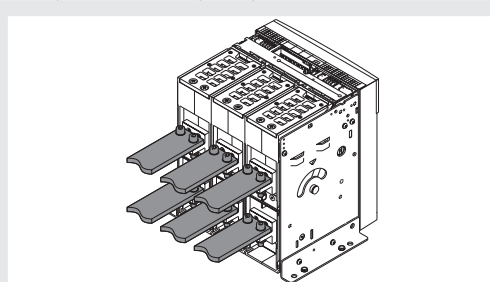


Figure 69 IEC

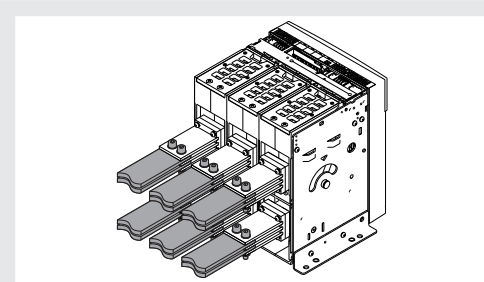


Figure 70 UL

Continued on the next page



**IMPORTANT: it is possible to obtain different capacities for the connections by altering the thickness and number of busbars in parallel.**

The following tables provide some examples of the quantity and the sizes of the connections that can be used for each type of circuit-breaker:

circuit-breaker IEC 60947	Iu (A)	Dimension of busbars (mm)	
		Horizontal terminals	Vertical terminals
E2.2	800	1x50x10	1x50x10
	1000	2x50x5	2x50x5
	1250	2x50x10	2x50x10
	1600	2x60x10	1x100x10
	2000	3x60x10	2x80x10
		3x60x10 <sup>(1)</sup>	2x80x10 <sup>(1)</sup>
2500	3x60x10	4x100x5	
	3x60x10 <sup>(1)</sup>	4x100x5 <sup>(1)</sup>	
E4.2	2000	2x80x10	2x80x10
	2500	2x100x10	2x100x10
	3200	3x100x10	3x100x10
	4000	4x100x10	4x100x10
E6.2	4000	4x100x10	4x100x10
	5000	5x100x10	5x100x10
	6300	6x100x10	6x100x10

<sup>(1)</sup> values for spread terminals

Circuit-breaker UL 1066	Iu (A)	Dimension of busbars (inches)	
		Horizontal terminals	Vertical terminals
E2.2-A	1600	4x1/4x2	3x1/4x2
		3x1/4x2.5	2x1/4x3
	2000	4x1/4x2.5	4x1/4x2
E4.2-A	2000	4x1/4x2.5	4x1/4x2
	2500	4x1/4x4	3x1/4x4
	3200	-	4x1/4x4
	3600	-	4x1/4x5
E6.2-A	4000	6x1/4x4	4x1/4x5
	5000	10x1/4x4	6x1/4x5
	6000	-	6x1/4x6

Circuit-breaker UL 489	Iu (A)	Dimension of busbars (inches)	
		Horizontal terminals	Vertical terminals
E4.2-A/E10	3200	-	4x1/4x5



**IMPORTANT: before proceeding with the connection between terminals and connection busbars:**

- make sure that the contact surfaces of the busbars are free of burrs, dents, traces of rusting, dust or traces of grease.
- make sure, if aluminium busbars are used, than they are tin plated in the contact areas.
- make sure that the busbars do not exert forces in any direction on the terminal.
- for fastening purposes use strength class 8.8 M12 screws or threaded rods with spring washers and apply 70 Nm - 620 lb in tightening torque.



**NOTE:** information about circuit-breaker performance in the switchgear in the various configurations is available in the website

<https://new.abb.com/low-voltage/products/circuit-breakers/emax2>

**Overall dimensions**

Information on the overall dimensions is available on the website <https://library.abb.com>

The following drawings are also available in .dxf format:

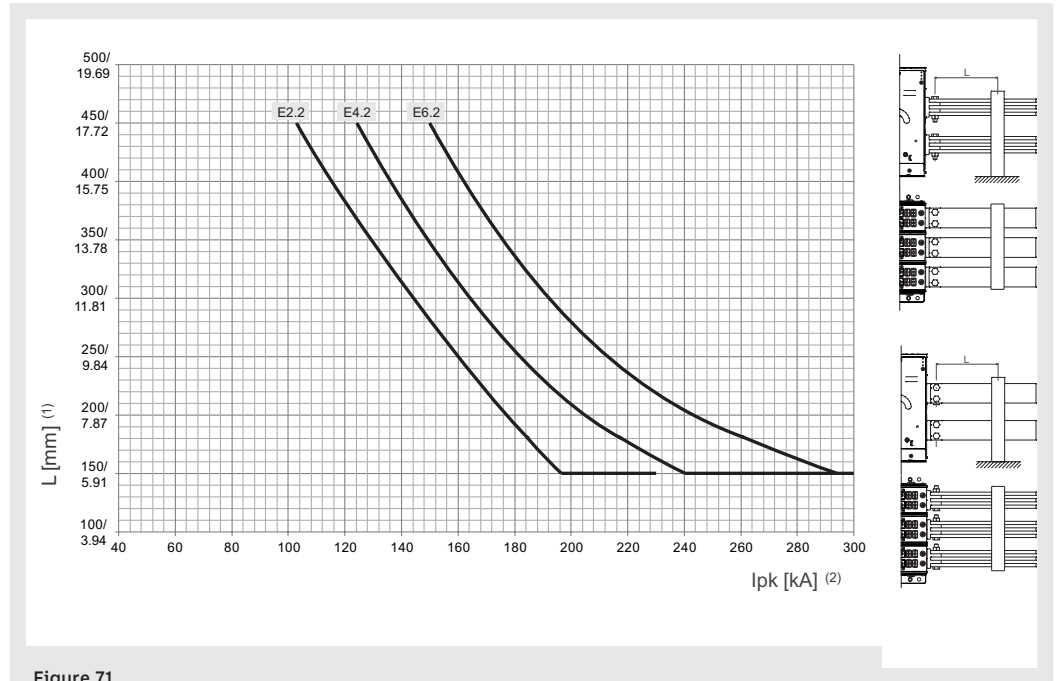
- [1SDH001000R0100](#) - E2.2 3P-4P Fixed HR VR IEC
- [1SDH001000R0101](#) - E2.2 3P-4P Fixed F IEC-UL
- [1SDH001000R0102](#) - E2.2 3P-4P Withdrawable HR-VR IEC
- [1SDH001000R0103](#) - E2.2 3P-4P Withdrawable F IEC
- [1SDH001000R0104](#) - E2.2 3P-4P Fixed SHR IEC
- [1SDH001000R0105](#) - E2.2 3P-4P Withdrawable SHR IEC
- [1SDH001000R0106](#) - E2.2 3P-4P Fixed SVR IEC
- [1SDH001000R0107](#) - E2.2 3P-4P Withdrawable SVR IEC
- [1SDH001000R0110](#) - E2.2 2000 3P-4P Withdrawable FL IEC
- [1SDH001000R0111](#) - E2.2 2500 3P-4P Withdrawable FL IEC
- [1SDH001000R0120](#) - E2.2-E4.2-E6.2 Fixed Withdrawable Flange IEC-UL
- [1SDH001000R0121](#) - E2.2-E4.2-E6.2 Fixed internal mounting IEC-UL
- [1SDH001000R0300](#) - E2.2 3P-4P Fixed HR-VR UL
- [1SDH001000R0302](#) - E2.2 3P-4P Withdrawable HR-VR UL
- [1SDH001000R0303](#) - E2.2 3P-4P Withdrawable F UL
  
- [1SDH001001R0100](#) - E4.2 3P-4P Fixed HR VR IEC
- [1SDH001001R0101](#) - E4.2 3P-4P Fixed F IEC
- [1SDH001001R0102](#) - E4.2 3P-4P Withdrawable HR-VR IEC
- [1SDH001001R0103](#) - E4.2 3P-4P Withdrawable F IEC
- [1SDH001001R0110](#) - E4.2 3200 3P-4P Withdrawable FL IEC
- [1SDH001001R0111](#) - E4.2 4000 3P-4P Withdrawable FL IEC
- [1SDH001001R0300](#) - E4.2 3P-4P Fixed HR-VR UL
- [1SDH001001R0302](#) - E4.2 3P-4P Withdrawable HR-VR UL
- [1SDH001001R0303](#) - E4.2 3P-4P Withdrawable F UL
- [1SDH001001R0304](#) - E4.2 3P-4P Fixed HR-VR UL
- [1SDH001001R0305](#) - E4.2 3P-4P Withdrawable HR-VR UL
- [1SDH001001R0306](#) - E4.2 3600 3P-4P Fixed UL
  
- [1SDH001060R0100](#) - E6.2 3P-4P Fixed HR IEC
- [1SDH001060R0101](#) - E6.2 3P-4P Fixed VR IEC
- [1SDH001060R0102](#) - E6.2 4P FS Fixed HR-VR IEC
- [1SDH001060R0104](#) - E6.2 3P-4P Fixed F IEC
- [1SDH001060R0105](#) - E6.2 3P-4P Withdrawable HR IEC
- [1SDH001060R0106](#) - E6.2 3P-4P Withdrawable VR IEC
- [1SDH001060R0107](#) - E6.2 4P FS Withdrawable HR-VR IEC
- [1SDH001060R0108](#) - E6.2 3P-4P Withdrawable F IEC
- [1SDH001060R0110](#) - E6.2 6300 3P-4P Withdrawable FL IEC
- [1SDH001060R0300](#) - E6.2 3P-4P Fixed HR UL
- [1SDH001060R0301](#) - E6.2 3P-4P Fixed VR UL
- [1SDH001060R0302](#) - E6.2 4P FS Fixed HR-VR UL
- [1SDH001060R0305](#) - E6.2 3P-4P Withdrawable HR UL
- [1SDH001060R0306](#) - E6.2 3P-4P Withdrawable VR UL
- [1SDH001060R0307](#) - E6.2 4P FS Withdrawable HR-VR UL
- [1SDH001060R0308](#) - E6.2 3P-4P-4P FS Withdrawable F UL
- [1SDH001060R0309](#) - E6.2 3P-4P Fixed VR UL
- [1SDH001060R0310](#) - E6.2 4P FS Fixed VR UL
- [1SDH001060R0311](#) - E6.2 3P-4P Withdrawable VR UL
- [1SDH001060R0312](#) - E6.2 4P FS Withdrawable VR UL
- [1SDH001060R0313](#) - E6.2 6000 3P Withdrawable VR UL

Continued on the next page

- 
- [1SDH001000R0400](#) - E2.2/E 2000/2500 3P-4P Fixed HR/VR IEC
  - [1SDH001000R0402](#) - E2.2/E 2000/2500 3P-4P Withdrawable HR/VR IEC
  - [1SDH001000R0404](#) - E2.2/E 2000/2500 3P-4P Fixed SHR IEC
  - [1SDH001000R0405](#) - E2.2/E 2000/2500 3P-4P Withdrawable SHR IEC
  - [1SDH001000R0406](#) - E2.2/E 2000/2500 3P-4P Fixed SVR IEC
  - [1SDH001000R0407](#) - E2.2/E 2000/2500 3P-4P Withdrawable SVR IEC
  - [1SDH001000R0408](#) - E2.2/E 2500 3P-4P Fixed LHR/LVR IEC
  - [1SDH001000R0409](#) - E2.2/E 2500 3P-4P Withdrawable LHR/LVR IEC
  
  - [1SDH001001R0450](#) - E4.2/E 3200/4000 3P-4P Fixed HR/VR IEC
  - [1SDH001001R0452](#) - E4.2/E 3200/4000 3P-4P Withdrawable HR/VR IEC
  - [1SDH001001R0454](#) - E4.2/E 3200/4000 3P-4P Fixed SHR IEC
  - [1SDH001001R0455](#) - E4.2/E 3200/4000 3P-4P Withdrawable SHR IEC
  - [1SDH001001R0456](#) - E4.2/E 3200/4000 3P-4P Fixed SVR IEC
  - [1SDH001001R0457](#) - E4.2/E 3200/4000 3P-4P Withdrawable SVR IEC
  - [1SDH001001R0458](#) - E4.2/E 4000 3P-4P Fixed LVR/LHR IEC
  - [1SDH001001R0459](#) - E4.2/E 4000 3P-4P Withdrawable LVR/LHR IEC
  - [1SDH001001R0104](#) - E4.2/E 3P-4P Fixed SHR IEC
  - [1SDH001001R0105](#) - E4.2/E 3P-4P Withdrawable SHR IEC
  - [1SDH001001R0106](#) - E4.2/E 3P-4P Fixed SVR IEC
  - [1SDH001001R0107](#) - E4.2/E 3P-4P Withdrawable SVR IEC
  - [1SDH001001R0400](#) - E4.2/E 3200 3P-4P Fixed UL
  
  - [1SDH001060R0400](#) - E6.2/E 5000/6300 3P-4P Fixed HR IEC
  - [1SDH001060R0401](#) - E6.2/E 5000/6300 3P-4P Fixed VR IEC
  - [1SDH001060R0402](#) - E6.2/E 5000/6300 3P-4P Withdrawable HR IEC
  - [1SDH001060R0403](#) - E6.2/E 5000/6300 3P-4P Withdrawable VR IEC
  - [1SDH001060R0404](#) - E6.2/E 5000 3P Fixed SVR IEC
  - [1SDH001060R0405](#) - E6.2/E 5000 3P Withdrawable SVR IEC
  - [1SDH001060R0406](#) - E6.2/E 5000/6300 3P-4P-4P FS Fixed LHR/LVR IEC
  - [1SDH001060R0407](#) - E6.2/E 5000/6300 3P-4P-4P FS Withdrawable LHR/LVR IEC
  - [1SDH001060R0350](#) - E6.2/E 4000/5000 3P-4P Fixed HR UL
  - [1SDH001060R0351](#) - E6.2/E 4000/5000 3P-4P Fixed VR UL
  - [1SDH001060R0355](#) - E6.2/E 4000/5000 3P-4P Withdrawable HR UL
  - [1SDH001060R0356](#) - E6.2/E 4000/5000 3P-4P Withdrawable VR UL
-

**Positioning anchor plates**

The diagram below indicates the distance for positioning the first anchor plate according to the circuit-breaker type and the peak current:

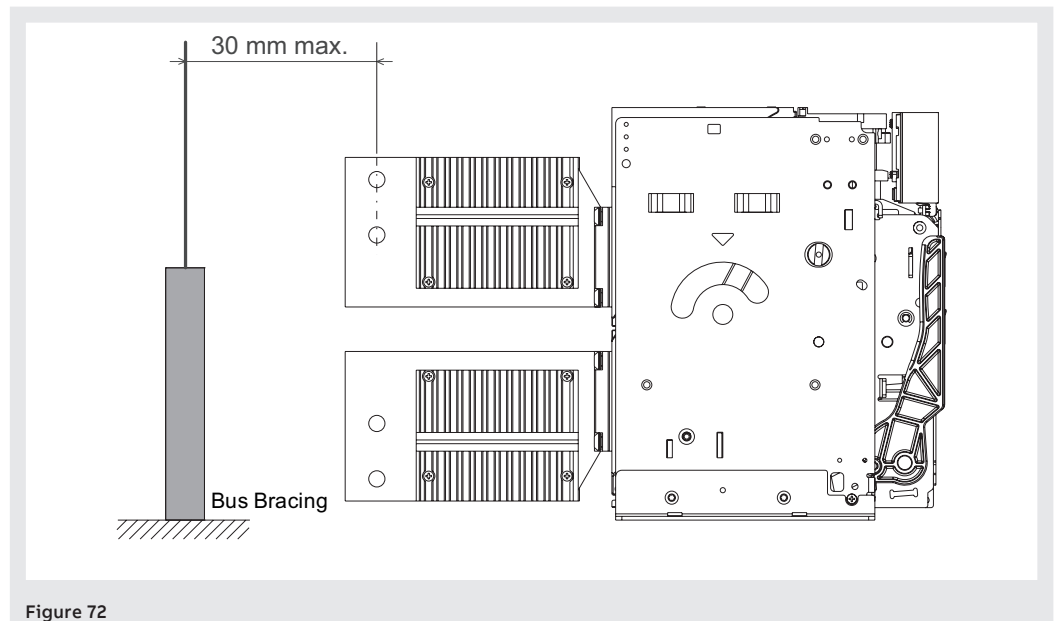


**Figure 71**

- (1): distance of the first anchor plate from the circuit-breaker terminals
- (2): peak current

**Positioning anchor plates E4.2-A 3200A / 3600A Fixed**

The anchor plates must be positioned as indicated in the figure.



**Figure 72**

**>690V version IEC circuit-breakers**

>690V disconnectors and circuit-breakers are available in the following configurations:

Circuit-breaker	Voltage	Version
E2.2/E9/E10	800/900/1000 V	F - W
E4.2/E9/E10/E12	800/900/1000/1150/1200 V	F - W
E6.2/E9/E10/E12	800/900/1000/1150/1200 V	F - W

Insulating protections are mandatory for >690 V fixed versions of E2.2, E4.2 and E6.2.

Details about assembling insulating protections are available at <https://library.abb.com> especially in the kit sheet [1SDH001000R0746](#).

**>635V version UL circuit-breakers**

>635V disconnectors and circuit-breakers are available in the following configurations:

Circuit-breaker	Voltage	Version	Standard
E4.2H-A/E	730V	F <sup>(1)</sup>	UL1066
E4.2H-A/E10	1000Y/577 V	F <sup>(1)</sup>	UL 489

<sup>(1)</sup> With insulating protections

Details about assembling insulating protections are available at <https://library.abb.com> especially in the kit sheet [1SDH001000R0746](#).

**Grounding**

The circuit-breakers in fixed version and the fixed part of withdrawable circuit-breakers are equipped with a screw for the ground connection.

The connection must be implemented by means of a conductor of suitable cross-section according to the IEC 61439-1 Standard.

Clean and degrease the area around the screw before making the connection.

After assembly of the conductor, tighten the screw with a torque of 2 N·m - 17.7 lb·in.

Alternatively, no connection will be required if circuit-breaker frame continuity with the switchgear earthing is provided by the metal contact (support) between the circuit-breaker and the metal structure of the switchgear (or a part of the protection circuit) (as long as there are no insulating panels between the circuit-breaker and the metal frame of the switchgear).

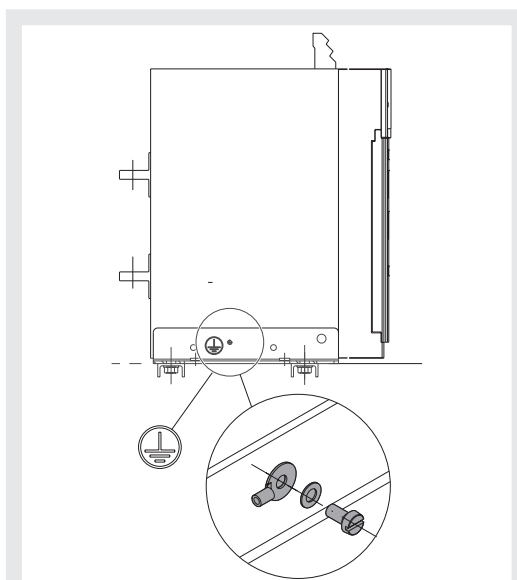


Figure 73 - Fixed version

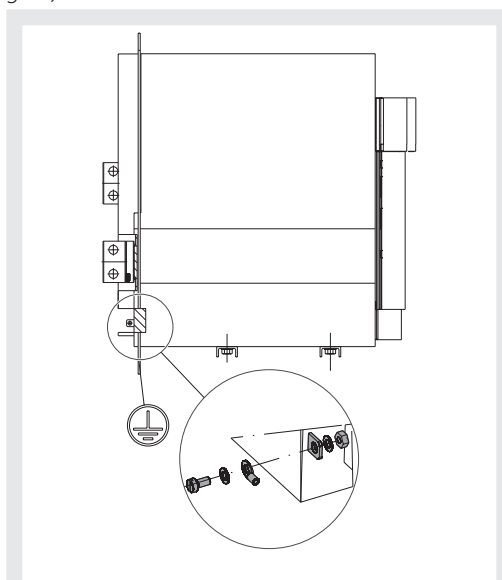


Figure 74 - Withdrawable

# Ekip Dip

## 1 - General characteristics

**Versions and main functions** SACE Emax 2 can be configured with the Ekip Dip Trip unit. This unit is available in three versions (Ekip Dip LI, Ekip Dip LSI, Ekip Dip LSIG) and can support and provide various functionalities:

- *protections for current and other quantities*
- *measurements, historical data and operation counters*
- *trip unit test*
- *interfacing with support software for configuring and customizing additional parameters*
- *mechanical accessories, electronic and test.*

Detailed information is available in the manual [1SDH001330R1002](#).

**Electrical characteristics** The Ekip Dip measurement and protection functions described in this document are guaranteed with current values within the following nominal ranges:

Parameter	Rated operating range
Primary current	0,004 ÷ 16 In <sup>(1)</sup>
Rated frequency	45 ... 55 Hz (with fn= 50 Hz) / 54 ... 66 Hz (with fn= 60 Hz)
Peak factor	Complying with standard IEC 60947-2

<sup>(1)</sup> range with reference to each phase; In refers to the rated size defined by the Rating plug installed on the Trip unit, available in models from 100 A to 6300 A

**Self-supply** The internal current sensors are able to supply the Trip unit directly

Parameter	Operating limits
Minimum three-phase turn-on current	> 30 A (E2.2 with Rating Plug < 400 A)
	> 80 A (E2.2 with Rating Plug ≥ 400 A and E4.2)
	> 160 A (E6.2)

**Auxiliary power supply** Ekip Dip can be connected to an external auxiliary supply source, which is useful when certain functions such as communication via Local Bus, recording manual operations, certain measurements and the datalogger must be activated.

Auxiliary power supply can be provided by modules from the Ekip Supply range or by direct connection to the terminal box; a direct connection can also be made. Details are available in the manual [1SDH001330R1002](#).

## 2 - Operator interface

**Introduction** The operator interface of the Ekip Dip protection release allows you to:

- Set the parameters relating to the available protections.
- View the status of the trip unit and alarms.
- Connect to the frontal connector to communicate and perform the opening test.

**Components of the interface** The Ekip Dip operator interface appears as follows:

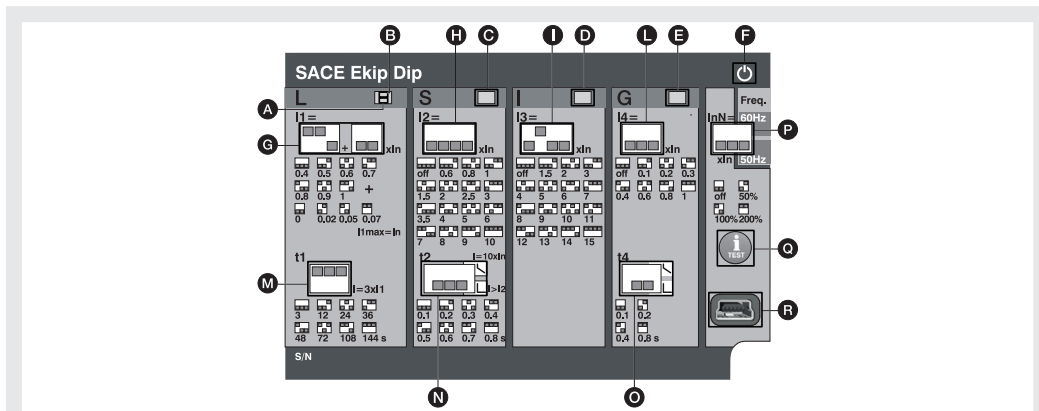


Figure 75

The following table provides a description of the components of the interface:

Position	Type	Description
A	<b>LED</b>	L Protection LED (alarm and trip)
B		L Protection LED (pre-alarm)
C		S Protection LED (alarm and trip)
D		I Protection LED (trip)
E		G Protection LED (alarm and trip)
F		Power-on LED (trip unit powered and on)
G	<b>Protections: thresholds</b>	L Protection dip-switch (threshold I1)
H		S Protection dip-switch (threshold I2)
I		I Protection dip-switch (threshold I3)
L		G Protection dip-switch (threshold I4)
M	<b>Protections: times</b>	L Protection dip-switch (time t1)
N		S Protection dip-switch (time t2 and type of curve)
O		G Protection dip-switch (time t4 and type of curve)
P	<b>Settings</b>	Neutral and frequency dip-switch
Q	<b>Test</b>	Test pushbutton
R		Test connector

**!** **IMPORTANT:** the figure above refers to an Ekip Dip, LSIG version. In the case of Ekip Dip LI or LSI versions, LEDs and dip-switches related only to the protections present are available.

**LED** The LEDs are useful on Ekip Dip in order to distinguish and identify various types of information on the protection trip unit, the circuit-breaker and state of the line currents.

The LEDs combined with the protections provide various information, through different combinations of lighting and blinking.



**NOTE:** *all the combinations related to protection LED signals are described in chapter **Self-diagnosis and signalling** , on page 41.*

### Protections: Thresholds and timing

The thresholds of all the protections can be modified with various dip-switches, as specified on the serigraph of the interface.

The values of the protections make reference to the current  $I_n$ , a nominal value defined by the Rating Plug.

The times and the curves of the protections can be modified with various dip-switches, as specified on the serigraph of the interface.



**IMPORTANT:**

- **Changes to the thresholds and times must be made in the absence of protection alarms.**
- **Modifications carried out in alarm conditions are accepted by the trip unit when resting condition is restored (absence of protection alarms).**

### Settings

Two further settings are available:

- **Neutral** allows activation and adjustment of the protections on the neutral pole.
- **Frequency** allows the selection of the installation frequency.

### iTest pushbutton

The iTest pushbutton is useful for three operations:

- Perform tests (circuit-breaker opening test and LED test).
- Reset the signal of the tripped protection. This operation can be performed when the circuit-breaker is both open and closed and with currents present, by pressing the push-button for about 1 second (the signal disappears when the push-button is released).
- With the trip unit off, check the information relating to the switch-off or tripping event.



**NOTE:** *with the trip unit off, pressing of the iTest button switches on (for approximately 4 seconds):*

- the power-on LED, if the trip unit is off due to an energy drop (primary current less than the minimum level of operation, removal of auxiliary power supply with circuit-breaker open, etc.).
- the protection tripped LED if the trip unit is off due to a protection trip.

### Test connector

The test connector allows the connection of Ekip TT and Ekip T&P modules (purchased separately), in order to perform the following operations:

- The release can be provided with temporary power supply for state verification and conduction of trip tests and LED tests (option available with all front interface modules).
- Analysis, supervision and setting of additional parameters through external communication test units (Ekip T&P).

## 3 - Protections - Introduction

**Operating principle** The protection functions are available with all Ekip Dip versions.

1. If the signal measured exceeds the set **threshold**, the specific protection activates (prealarm and/or **alarm** condition).
2. The **alarm** appears on the display and, after a period of time (timing  $t_1$ ), depending on the protection parameters set, can convert into a **trip command (TRIP)** transmitted to the internal Trip Coil of the CB.



**NOTE:**

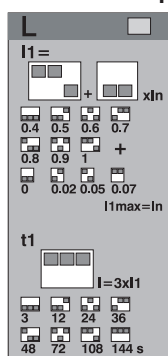
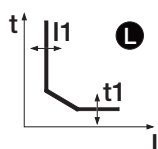
- if the signal measured drops below the set threshold before the trip time has elapsed, Ekip Dip quits the alarm and/or timing state and returns to the normal operating condition
- all protections have a default configuration: check the parameters and change to suit the installation requirements before putting into service
- to allow circuit-breaker tripping to be controlled by a specific protection, the protection itself must be enabled

**L Protection** L protection protects against overloads



**NOTE:** the protection is available and active for all the versions of the trip unit.

When the activation threshold is exceeded, the protection trips in a time that decreases as the current read increases.



**Parameters**

All the parameters that can be modified by the user affect the response curve, and related tripping times.

Parameter	Description
<b>Threshold I1</b>	<p>The value I1 contributes in calculating the tripping time, and also defines the current value that, if exceeded, activates the protection (with reference to the curve, it is the part parallel to the y-axis).</p> <p><b>IMPORTANT:</b></p> <ul style="list-style-type: none"> <li>• The protection is activated and starts timing for currents between 1.05 and 1.2 of the threshold I1 set<sup>(1)</sup>.</li> <li>• The delay is interrupted if the current drops below the activation threshold.</li> </ul>
<b>Time t1</b>	<p>The value t1 contributes in calculating the tripping time (with reference to the curve, T1 affects the entire curve by shifting it as a whole along the y-axis).</p> <p><b>IMPORTANT:</b></p> <p><b>The protection limits the tripping time to 1 second in two cases:</b></p> <ul style="list-style-type: none"> <li>• if, according to the calculation, the time is less than 1 second.</li> <li>• If the fault current is greater than 12 In.</li> </ul>

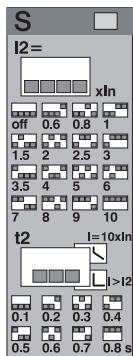
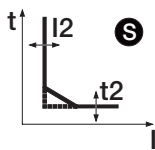
<sup>(1)</sup> Example (with I1 set to 400 A): the protection is activated for currents between 420 A and 480 A.

With the module Ekip T&P and with the Ekip Connect software, it is possible to activate the function **Thermal Memory**, and adjust the threshold of **Pre-alarm**.

**S Protection** S protection protects against selective short circuit.

**i NOTE:** the protection is available for LSI and LSIG versions of the trip unit.

When the activation threshold is exceeded, the protection trips within a fixed or dynamic time (the time decreases as the current reading increases).



**Parameters**

All the parameters that can be modified by the user affect the response curve, and related tripping times.

Parameter	Description
<b>Enable</b>	By setting the threshold dip-switches to the Off position, the protection is disabled.
<b>Type of curve</b>	It determines the dynamic of the curve and the tripping time, fixed or dynamic according to the selection: <b>i NOTE:</b> calculation of the tripping time of the inverse time curve is based on a mathematical expression. The details are provided in the table on page 40.
<b>Threshold I2</b>	It defines the current value that activates the protection when exceeded (with reference to the curve, it is the part parallel to the y-axis). <b>! IMPORTANT:</b> <ul style="list-style-type: none"> <li>• The I2 threshold set must be higher than the I1 threshold. An incorrect configuration returns an alarm signal.</li> <li>• The delay is interrupted if the current drops below the activation threshold.</li> </ul>
<b>Time t2</b>	The selected function determines the contribution of t2: <ul style="list-style-type: none"> <li>• Fixed time: t2 is the delay time between exceeding the I2 threshold and sending the opening command.</li> <li>• Dynamic time: t2 contributes in calculating the tripping time (with reference to the curve, t2 affects the entire curve, shifting it as a whole along the vertical axis).</li> </ul> <b>! IMPORTANT:</b> <ul style="list-style-type: none"> <li>• The minimum tripping time of the protection is t2. If, according to the calculation, the tripping time is less, it is automatically limited to t2.</li> <li>• For all the UL versions, the maximum time allowed is 0.4 s. If a higher value is set, the trip unit signals the error and forces the parameter to 0.4 s.</li> </ul>

With the module Ekip T&P and with the Ekip Connect software, it is possible to activate the function **Thermal Memory**.

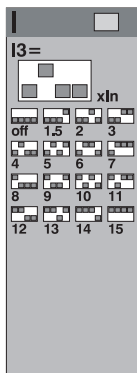
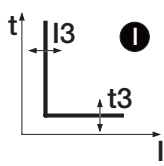
**I Protection**

I protection protects against instantaneous short circuit.

When the activation threshold is exceeded, the protection trips within a fixed non-adjustable time.

**Parameters**

The user can set the intervention threshold.



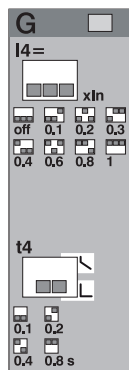
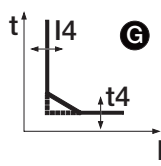
Parameter	Description
<b>Enable</b>	By setting the threshold dip-switches to the Off position, the protection is disabled.
<b>Threshold I3</b>	It defines the current value that activates the protection when exceeded (with reference to the curve, it is the part parallel to the y-axis). <b>! IMPORTANT: The I3 threshold set must be higher than the I2 threshold. An incorrect configuration returns an alarm signal.</b>

## G Protection

G protection protects against a ground fault.

**i** **NOTE:** the protection is available for the LSIG version of the trip unit.

When the activation threshold is exceeded, the protection trips within a fixed or dynamic time (the time decreases as the current reading increases).



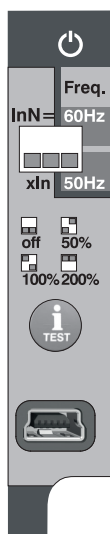
### Parameters

All the parameters that can be modified by the user affect the response curve, and related tripping times.

Parameter	Description
Enable	<p>By setting the dip-switches of the threshold in one of the available combinations other than Off, the protection is enabled. If enabled, the protection is inhibited automatically by the trip unit under two conditions:</p> <ul style="list-style-type: none"> <li>• Disconnection of one or more current sensors.</li> <li>• Current measured on one of the phases higher than a maximum value.</li> </ul> <p><b>i</b> <b>IMPORTANT:</b> in accordance with standard IEC60947-2 2024, the protection deactivates if at least one of the phase currents exceeds a lockout threshold; depending on the set value, the lockout threshold is:</p> <ul style="list-style-type: none"> <li>• 8 In (with <math>I4 \geq 0.8 In</math>)</li> <li>• 6 In (with <math>0.5 In \leq I4 &lt; 0.8 In</math>)</li> <li>• 4 In (with <math>0.2 In \leq I4 &lt; 0.5 In</math>)</li> <li>• 2 In (with <math>I4 &lt; 0.2 In</math>)</li> </ul>
Type of curve	<p>It determines the dynamic of the curve and the tripping time, fixed or dynamic according to the selection:</p> <p><b>i</b> <b>NOTE:</b> the calculation of the tripping time of the inverse time curve is based on a mathematical expression. The details are provided in the table on page 40.</p>
Threshold I4	<p>It defines the current value that activates the protection when exceeded (with reference to the curve, it is the part parallel to the y-axis).</p> <p><b>i</b> <b>IMPORTANT:</b></p> <ul style="list-style-type: none"> <li>• The delay is interrupted if the current drops below the tripping threshold.</li> <li>• For all the UL versions the maximum threshold allowed by the trip unit is 1200 A. If a higher value is set, the trip unit signals the error and forces the parameter to 1200 A.</li> </ul>
Time t4	<p>The selected function determines the contribution of t4:</p> <ul style="list-style-type: none"> <li>• Fixed time: t4 is the delay time between the exceeding of the I4 threshold and the sending of the opening command.</li> <li>• Dynamic time: t4 contributes in calculating the tripping time (with reference to the curve, t4 affects the entire curve, shifting it as a whole along the y-axis).</li> </ul> <p><b>i</b> <b>IMPORTANT:</b></p> <ul style="list-style-type: none"> <li>• The minimum tripping time of the protection is t4. If, according to the calculation, the tripping time is less, it is automatically limited to t4.</li> <li>• For all the UL versions, the maximum time allowed by the trip unit is 0.4s. If a higher value is set, the trip unit signals the error and forces the parameter to 0.4 s.</li> </ul>

With the Ekip T&P module and with the Ekip Connect software it is possible to adjust the threshold of Pre-alarm.

## Neutral and frequency



Adjusting of the neutral setting is used to customize the L, S and I protections on the Neutral pole with a control factor different from the other phases.

**NOTE:** use the adjustment of the neutral setting only with four-pole or three-pole circuit-breakers with external neutral: with three-pole circuit-breakers and neutral protection active, the trip unit signals the absence of the current sensor.

The adjustment of the frequency is used in order to set the installation frequency (between 50 and 60 Hz).

### Neutral parameters

The user can activate the protection and set the percentage for calculation of the protection thresholds.

Parameter	Description
<b>Enable</b>	By setting the threshold dip-switches to the Off position, the protection on the Neutral is disabled.
<b>Threshold InN</b>	It establishes the multiplication factor applied to the trip thresholds of the protections: <ul style="list-style-type: none"> <li>• 50%: trip threshold of the neutral current lower than other phases.</li> <li>• 100%: same trip thresholds for all poles.</li> <li>• 200%: trip threshold of the neutral current higher than other phases.</li> </ul>

### Limitations

The adjustment of the Neutral threshold to value of 200 % must be performed considering the following formula:  $(I1 * InN) \leq Iu$ .

I1 indicates the threshold of L protection in amperes (example:  $I1 = 0.45 In = 450 A$ ), InN is the neutral threshold expressed as a multiplication factor (example: 2), Iu indicates the size of the circuit-breaker (example: 1000 A).



**WARNING! With 200% threshold and measured neutral current exceeding  $16In$ , the Trip unit resets the protection to 100% by itself**

## Additional protections

The Ekip T&P module, and the Ekip Connect software, allow you to set some protections not available via dip-switch:

- Thermal Memory
- T Protection
- Prealarm threshold
- Hardware Trip

### Thermal Memory

See the manual [1SDH001330R1002](#) for details.

## Summary table of protections

ABB	ANSI <sup>(5)</sup>	Threshold <sup>(1)</sup>	Threshold tolerance <sup>(3)</sup>	Time <sup>(1)</sup>	Calculation formula $t_t$ <sup>(2)</sup>	Calculation example $t_t$ <sup>(2)</sup>	Tolerance $t_t$ <sup>(3)</sup>
<b>L</b>	49	$I1 = 0.4 \dots 1 I_n$	activation for $I_f$ in the range $(1.05 \dots 1.2) \times I1$	$t1 = 3 \dots 144 \text{ s}$	$t_t = (9 t1) / (I_f / I1)^2$	$t_t = 6.75 \text{ s}$ with: $I1 = 0.4 I_n$ ; $t1 = 3 \text{ s}$ ; $I_f = 0.8 I_n$	$\pm 10 \%$ with $I_f \leq 6 I_n$ $\pm 20 \%$ with $I_f > 6 I_n$
<b>S</b> ( $t = k$ )	50 TD	$I2 = 0.6 \dots 10 I_n$	$\pm 7 \%$ with $I_f \leq 6 I_n$ $\pm 10 \%$ with $I_f > 6 I_n$	$t2 = 0.1 \dots 0.8 \text{ s}$	$t_t = t2$	-	The better of the two values: $\pm 10 \%$ or $\pm 40 \text{ ms}$
<b>S</b> ( $t = k / I^2$ )	51	$I2 = 0.6 \dots 10 I_n$	$\pm 7 \%$ with $I_f \leq 6 I_n$ $\pm 10 \%$ with $I_f > 6 I_n$	$t2 = 0.1 \dots 0.8 \text{ s}$	$t_t = (100 t2) / (I_f)^2$	$t_t = 5 \text{ s}$ con: $I2 = 1 I_n$ ; $t2 = 0.8 \text{ s}$ ; $I_f = 4 I_n$	$\pm 15 \%$ with $I_f \leq 6 I_n$ $\pm 20 \%$ with $I_f > 6 I_n$
<b>I</b>	50	$I3 = 1.5 \dots 15 I_n$	$\pm 10 \%$	Not adjustable	$t_t \leq 30 \text{ ms}$	-	-
<b>G</b> ( $t = k$ )	50N TD	$I4^{(4)} = 0.1 \dots 1 I_n$	$\pm 7 \%$	$t4 = 0.1 \dots 0.8 \text{ s}$	$t_t = t4$	-	The better of the two values: $\pm 10 \%$ or $\pm 40 \text{ ms}$
<b>G</b> ( $t = k / I^2$ )	51N	$I4^{(4)} = 0.1 \dots 1 I_n$	$\pm 7 \%$	$t4 = 0.1 \dots 0.8 \text{ s}$	$t_t = 2t4 / (I_f / I4)^2$	$t_t = 0.32 \text{ s}$ with: $I4 = 0.8 I_n$ ; $t4 = 0.2 \text{ s}$ ; $I_f = 2 I_n$	$\pm 15 \%$
<b>linst</b>	-	Defined by ABB	-	Instantaneous	-	-	-

<sup>(1)</sup> See the serigraph for the available combinations.

<sup>(2)</sup>  $t_t$  calculation is valid for  $I_f$  values that have exceeded the trip threshold of the protection. Use fault current and threshold values expressed in  $I_n$  to calculate  $t_t$ , as shown in the example.

<sup>(3)</sup> Tolerances valid with trip unit energized in service conditions or with the auxiliary; tripping time  $\geq 100 \text{ ms}$ , temperature and currents within operating limits. If these conditions are not guaranteed, the tolerances in the table shown below apply.

<sup>(4)</sup> In the presence of auxiliary power supply, you can select all the thresholds. In self-supply mode the minimum threshold is limited to:  $0.3 I_n$  (with  $I_n = 100 \text{ A}$ ),  $0.25 I_n$  (with  $I_n = 400 \text{ A}$ ) or  $0.2 I_n$  (for all other sizes).

<sup>(5)</sup> ANSI / IEEE C37-2 encoding.

## Key

- ( $t=k$ ) - Fixed time curve
- ( $t=k/I^2$ ) - Dynamic time curve
- $t_t$  - Tripping time
- $I_f$  - Primary fault current

## Tolerances in particular cases

If the conditions defined in point <sup>(3)</sup> of the above table are not guaranteed, the following tolerances apply:

Protection	Tolerance threshold	Tolerance $t_t$
<b>L</b>	Activation for $I_f$ in the range $(1.05 \dots 1.2) \times I1$	$\pm 20 \%$
<b>S</b>	$\pm 10 \%$	$\pm 20 \%$
<b>I</b>	$\pm 15 \%$	$\leq 60 \text{ ms}$
<b>G</b>	$\pm 15 \%$	$\pm 20 \%$

## 4 - List of alarms and signals

### LED view

Ekip Dip continuously monitors its own operating condition and that of all the devices to which it is connected. All the signals are available with the front LEDs. The protection LEDs provide information by means of different lighting and flashing combinations, while the power-on LED indicates the power-on state of the release.



**NOTE:** the number of LEDs depends on the version of Ekip Dip (LI, LSI, LSIG).

### Summary table of LED signals

The following table summarises the signals available with the protection LEDs and the operations to be carried out in response to alarms or fault conditions signalled.

Type of Information	Slow flashing (0.5Hz)			Fast flashing (2 Hz)			On and fixed			2 flashes every 2 s		3 flashes every 3 s	4 flashes every 4 s	5 flashes every 5 s	HELP	
	All R	G	All R+G	All R	R (single)	G	All R+G	All R	R (single)	G	All R	G	G	G		G
Colour and LED	All R	G	All R+G	All R	R (single)	G	All R+G	All R	R (single)	G	All R	G	G	G	G	
Internal configuration error <sup>(5)</sup> .			x				x	x								A
Pairing Error															X	A
Trip coil disconnected or trip command failed				x												B
Current sensors disconnected	x															B
Rating Plug error										X						B+E
Protection delay					x											C
Temperature alarm <sup>(1)</sup>					x											C
Pre-alarm L										x						C
Trip <sup>(2)</sup>									x							C
Hardware Trip <sup>(3)</sup>									x	x						B
Installation error						x										E
Parameter error											x					D
Circuit-breaker state not defined or in error		x														B
Error on Local Bus														x		F
Maintenance alarm												x				F
Software incompatibility								x		x						G
Low battery (during self-test) <sup>(4)</sup>						x										H

<sup>(1)</sup> The temperature alarm is signalled by lighting of the protection L and I red LEDs.

<sup>(2)</sup> The last trip can also be displayed with trip unit off, by pressing the iTest key.

<sup>(3)</sup> The Hardware Trip is signalled by lighting of the pre-alarm L yellow LED and the protection I red led.

<sup>(4)</sup> Five flashes when self-test is started up

<sup>(5)</sup> Error present with one of the three flashing options displayed alongside.

### Key to LED colours

The above table lists the colors of the LEDs, to be interpreted as follows:

- R = red LED (alarm LED L, S, I, G).
- G = yellow LED (pre-alarm LED L).



**NOTE:** for further details refer to the table listing the components of the interface, available on page 33.

**HELP**

Some LED signals indicate connection errors or operational errors that require corrective or maintenance operations. The following are the suggestions for checking with reference to the preceding LED table:

HELP note	Operation
A	Restart the unit and check if the problem persists. In case of persistence, contact ABB providing LEDs behaviors on the unit.
B	Check the connections between trip unit and accessories (Rating Plug, trip coil, sensors, etc).
C	Normal operation/signalling provided by the trip unit.
D	Error in setting of the dip-switches. Check and correct the following conditions: <ul style="list-style-type: none"> <li>• <math>I1 \geq I2</math> or <math>I2 \geq I3</math>.</li> <li>• <math>Iu &lt; (2 * In * I1)</math> in the case where <math>InN = 200\%</math>.</li> <li>• <math>I4 &lt; 0.3 In</math> (con <math>In = 100 A</math>), <math>0.25 In</math> (con <math>In = 400 A</math>) or <math>0.2 In</math> (for all other sizes), in the absence of auxiliary power supply.</li> <li>• <math>t2 &gt; 0.4s</math> (in the case of UL circuit-breaker)</li> <li>• <math>t4 &gt; 0.4s</math> (in the case of UL circuit-breaker)</li> <li>• <math>I4 &gt; 1200 A</math> (in case of UL circuit-breaker)</li> </ul>
E	Install by pressing and holding the itest pushbutton for at least 5s.
F	Connect via Ekip Connect in order to set the Local Bus or to confirm maintenance.
G	Replace the battery.

## 5 - Default parameters

### Ekip Dip default parameters

The Ekip Dip trip units are supplied with the following default parameters, some adjustable with the front DIPs (protections, Frequency, Neutral), other via front bus.

Protection/Parameter	Value
<b>L</b>	1 In; 144 s
<b>S<sup>(1)</sup></b>	Off; 0.1 s
<b>I</b>	4 In
<b>G<sup>(1)</sup></b>	Off; 0.1 s
<b>Frequency</b>	50 Hz (IEC) / 60 Hz (UL)
<b>Neutral</b>	Off (for three-pole circuit breakers). 50 % (for four-pole circuit-breaker)
<b>Hardware Trip</b>	Disabled
<b>Local Bus</b>	Off
<b>LED Alive</b>	Disabled (Power-on LED fixed)
<b>Maintenance</b>	Off

<sup>(1)</sup> S Protection available with LSI and LSIG versions of the trip unit. G Protection available with LSIG version.

# Accessories

## 1 - Overview

### Electrical and mechanical accessories

Electrical and mechanical accessories for E2.2-E4.2-E6.2:

Type of accessory	Accessory	Circuit-breakers	Switch-disconnectors	Derived versions		
				CS	MV	MTP
Electrical signalling	AUX 4Q	S	R	-	-	-
	AUX 6Q	R	R	-	-	-
	AUX 15Q <sup>(5)</sup>	R	R	-	-	-
	Ekip AUP <sup>(1)</sup>	R	R	R	R	R
	Ekip RTC	R	R	-	-	-
	S51	S	-	-	-	-
	S51/2 <sup>(6)</sup>	R	-	-	-	-
	S33 M/2	R	R	-	-	-
Electrical control	YO <sup>(4)</sup> - YC	R	R	-	-	-
	YO2 <sup>(4)</sup> - YC2	R	R	-	-	-
	YU <sup>(2)(4)</sup>	R	R	-	-	-
	YU2 <sup>(2)(4)</sup>	R	R	-	-	-
	M	R	R	-	-	-
	YR	R	-	-	-	-
Security mechanical	KLC - PLC	R	R	-	-	-
	KLP - PLP <sup>(1)</sup>	R	R	-	-	R
	SL <sup>(1)</sup>	S	S	-	-	S
	DLR <sup>(1)</sup>	R	R	-	-	R
	DLP <sup>(1)</sup>	R	R	-	-	R
	DLC <sup>(5)</sup>	R	R	-	-	R
	Anti-insertion lock	S	S	-	-	S
	MOC	R	R	-	-	R
	FAIL SAFE <sup>(3)</sup>	R	R	-	-	R
Protection mechanical	PBC	R	R	-	-	R
	IP54	R	R	-	-	R
	Insulating protections <sup>(7)(8)</sup>	S	S	-	-	-
Interlocks	MI <sup>(5)</sup>	R	R	-	-	R
Lifting plates	-	R	R	-	-	-

S: Standard. R: on request.

<sup>(1)</sup> For withdrawable version only.

<sup>(2)</sup> Incompatible with FAIL SAFE. Can be ordered for UL on request

<sup>(3)</sup> Incompatible with YU; standard for UL version.

<sup>(4)</sup> A maximum of two accessories are available for YO and YU.

<sup>(5)</sup> Not available for withdrawable circuit-breakers with lateral fastening.

<sup>(6)</sup> Incompatible with YR

<sup>(7)</sup> Only for fixed version

<sup>(8)</sup> For >690V version only.

# Putting into service and maintenance

## 1 - Putting into service

**Introduction** The general check is necessary:

- when the circuit-breaker is put into service for the first time
- after prolonged inactivity of the circuit-breaker



**HAZARD! RISK OF ELECTRIC SHOCK! Test the circuit-breaker with all switchgear apparatus de-energized.**



**IMPORTANT: The verifications involve procedures which must only be performed by persons skilled in the electrical field (IEV 195-04-01): person with sufficient training and experience to enable him or her to perceive risks and avoid the dangers potentially created by electricity).**

**Terminal wiring** Indication of cable size for wiring terminals:

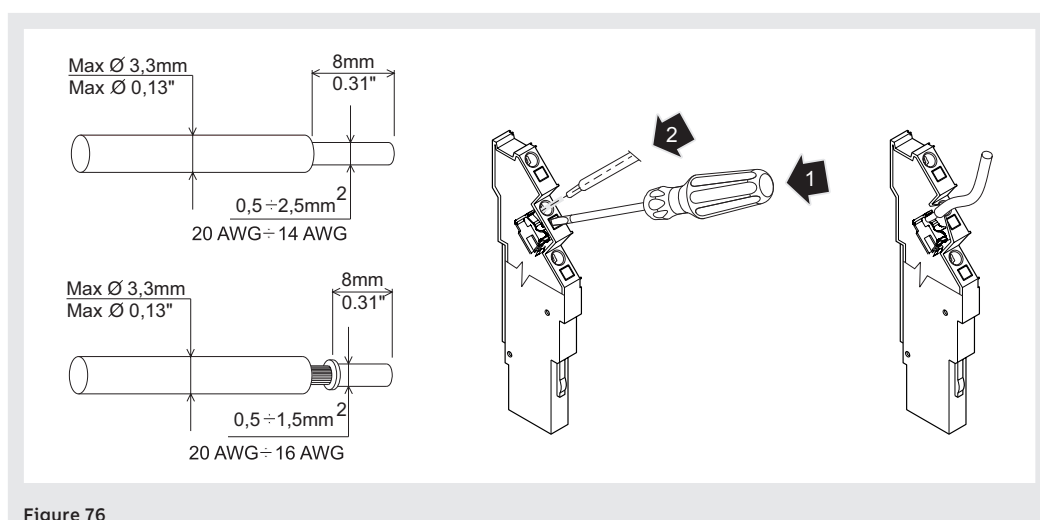



Figure 76

**General checks** Before putting it into service for the first time or after a prolonged period of inactivity, some checks must be carried out on the circuit-breaker and the environment in which it is installed:

Points to be checked	Checks
<b>Switchgear</b>	1. Sufficient change of air to avoid overtemperatures
	2. Clean location, free of all installation refuse (e.g.: cables, tools, metal splinters)
	3. Circuit-breaker mounted correctly (tightening torques, clearances respected)
	4. The installation environmental conditions must be consistent with the "Environmental conditions" specifications on page 23
<b>Connections</b>	1. Power connections tightened to the terminals of the circuit-breaker
	2. Busbars with adequate cross-section
	3. Correct ground connections
	4. Maximum distances of separators respected
<b>Operations</b>	Perform some opening and closing operations (See chapter "Description of the product - circuit-breaker opening/closing operations on page 16). The spring loading lever must move with regularly
	 <b>WARNING! in the presence of an undervoltage coil the circuit-breaker can be closed only after the trip unit is energized</b>
<b>Trip unit alarm</b>	Connect the protection device Ekip TT to the trip unit and verify that there are no alarms present
<b>State of the circuit-breaker with Ekip Dip</b>	With Ekip Dip, the circuit-breaker state must not be in error (see table on page 41). Perform a circuit-breaker closing/opening operation and make sure that there are no alarms (see table on page 41)
<b>State of the circuit-breaker with Ekip Touch</b>	With Ekip Touch, the circuit-breaker state must be read correctly (see table on page 41). Perform a circuit-breaker closing/opening operation and make sure that change of state is read correctly
<b>Trip Test</b>	With circuit-breaker closed and in conditions of rest (without circulating currents), carry out a Trip test, and verify the opening of the circuit-breaker
<b>Ekip Dip parameters</b>	Check and modify the protection dip switches, presence of external neutral and frequency to suit your installation requirements
<b>Ekip Touch parameters</b>	Connect the Ekip TT device. Check and make the necessary changes to: protection parameters, circuit-breaker configuration, frequency, PIN, date and language






**NOTE:** for security reasons, ABB strongly advises you to change the PIN right from the first access and to keep it with care.

**Wizard** When powered, the Ekip Touch shows the Wizard window, a user-friendly procedure for immediate adjustment of certain parameters: language, date, time, voltage of the installation (if Measurement Enabler is present) and PIN.

After the procedure has terminated, the window will no longer appear unless it is reset by Ekip Connect (Reset Wizard command); in this case, it will appear the first time the apparatus is powered after the command has been sent.


**Check accessories** The following procedures for checking the accessories are to be performed before they are put into service:

Accessories <sup>(*)</sup> to be checked	Procedure
Gearmotor	1. Power the gearmotor to charge the springs at the relevant rated voltage.
	Result: The springs are charged correctly. The signals are normal. When the springs are charged the gearmotor stops.
	2. Perform some closing and opening operations.
	Result: The gearmotor recharges the springs after every closing operation.
Undervoltage coil	 <b>NOTE:</b> <i>If present, power the undervoltage coil in advance.</i>
	1. Power the undervoltage coil at the relevant rated voltage and perform the closing operation on the circuit-breaker.
	Result: The circuit-breaker closes correctly; the signals are normal.
	2. Turn off the voltage supply to the trip unit. The circuit-breaker opens.
	3. Power the undervoltage coil at the relevant rated voltage and perform the closing operation on the circuit-breaker.
	Result: The circuit-breaker closes; the signal switches over.
Opening coil	 <b>WARNING!</b> <b>If the undervoltage coil has been tripped by a power failure, the circuit-breaker can be closed only after the coil has been energized electrically. Make sure that the coil has effectively been tripped due to a power failure. Otherwise, examine the circuit-breaker and the associated equipment to make sure that they are in a good condition.</b>
	1. Close the circuit-breaker.
	2. Power the opening coil at the relevant rated voltage.
	Result: The circuit-breaker opens correctly; the signals are normal.
Closing coil	1. Open the circuit-breaker.
	2. Charge the springs manually or electrically.
	3. Power the closing coil at its rated voltage.
	Result: The circuit-breaker closes correctly; the signals are normal.
Opening coil with Ekip Com Actuator	1. Power the protection trip unit with the Vaux auxiliary power supply.
	2. Power the Ekip Com Actuator contacts.
	3. Close the circuit-breaker
	4. Select " <b>open CB</b> " from the Ekip Touch menu
	Result: The circuit-breaker opens correctly; the signals are normal.
	 <b>NOTE:</b> <i>The test can be performed if the trip unit and the coils are energized.</i>

<sup>(\*)</sup> *If present.*


<sup>(\*\*)</sup> *Withdrawable versions only.*

Continued on the next page

Accessories <sup>(*)</sup> to be checked	Procedure
Closing coil with Ekip Com Actuator	1. Power the protection trip unit with the Vaux auxiliary power supply.
	2. Power the Ekip Com Actuator contacts.
	3. Charge the springs.
	4. Select " <b>close CB</b> " from the Ekip Touch menu
	Result: The circuit-breaker closes correctly; the signals are normal.
Lock for circuit-breaker in open position (key or padlock)	 <b>NOTE:</b> <i>The test can be performed if the protection trip unit and the coils are energized.</i>
	1. Open the circuit-breaker
	2. Keep the opening pushbutton pressed
	3. Turn the key and remove it
	4. Attempt the circuit-breaker closing operation.
Result: Both manual and electrical closing is prevented.	
Auxiliary open/closed contacts of the circuit-breaker	1. Connect the auxiliary contacts to appropriate signalling circuits or to the multimeter.
	2. perform some closing and opening operations on the circuit-breaker.
	Result: signalling occurs normally.
Circuit-breaker connected, isolated for test, disconnected auxiliary contacts	1. Connect the auxiliary contacts to appropriate signalling circuits.
	2. bring the circuit-breaker to the connected, isolated for test and disconnected position.
	Result: the signals due to the relative operations are normal.
Locking devices for connected/test/disconnected positions <sup>(**)</sup>	1. Perform operating tests.
	Result: the interlocks function correctly.
Interlocks between circuit breakers assembled side by side and stacked	1. Perform operating tests.
	Result: the interlocks function correctly.
Racking-in/out device <sup>(**)</sup>	1. Perform a few racking-in and racking-out operations.
	Result: in the rack-in operation the circuit-breaker is connected correctly. There is no particular resistance during the first turns of the handle.
Auxiliary accessories and auxiliary voltage	Verify the proper installation. The supply voltage of the auxiliary accessories must be between 85% and 110% of the rated voltage for the auxiliary accessories.
External modules	1. For all modules with terminal box: check connection to <i>Ekip Supply</i> in mechanical seat of terminal box For <i>Ekip Signalling 10K</i> and <i>Ekip Multimeter</i> : check connection of the bus of module (W3-W4) to the respective sockets of <i>Ekip supply</i> or terminal box
	2. Power up the Trip unit (and external modules if there is a separate supply) and make sure they are on
	3. Check on menu or via Ekip Connect that the local bus on the Trip unit is enabled
	4. Check that the Power LED on each module is on in the same way as the Power LED of Ekip Touch (steady or synchronous flash)
	5. Check on menu or via Ekip Connect to make sure that all installed modules are present and that there are no alarms
External neutral, single-pole sensor (SGR), residual current sensor (Rc)	1. Make sure that the sensor is connected to the terminal box
	2. Power up the Trip unit and make sure it is on
	3. For <i>External neutral</i> : check in the <i>Settings - Circuit-breaker</i> menu that <i>Configuration</i> = 3P + N; otherwise change the parameter For single-pole and residual current sensors: set presence and size in the <i>Settings - Circuit-breaker - Earth protection</i> menu; protection parameters in the <i>Protections</i> or <i>Advanced</i> menus
	4. Make sure there are no alarms

<sup>(\*)</sup> If present.

<sup>(\*\*)</sup> Withdrawable versions only.

Accessories (*) to be checked	Procedure
Zone selectivity	1. Check selectivity connections (between Ekip Touch and the other units) as shown in circuit diagrams
	2. Provide Ekip Touch with auxiliary power and make sure that CB status is: Open
	3. Check that the protection of the selectivity concerned has been enabled (example: S protection)
	4. Select the <i>Test - Zone Selectivity</i> menu and the submenu of the protection concerned; repeat points 5, 6, 7 and 8 for each protection activated
	 <b>NOTE:</b> for selectivity D, consider submenu S for the Forward connections and G for the Backward connections
	Check <b>Output:</b>
	5. Select the <i>Force Output</i> command and check, on the unit connected to the Ekip Touch output, that the state of its <i>Input</i> = <b>ON</b>
	6. Select <i>Release Output</i> and check on the unit that <i>Input</i> = <b>OFF</b>
Check <b>Input:</b>	
7. Select the <i>Force Output</i> command in the unit connected to the Ekip Touch input; check on Trip unit: <i>Input</i> = <b>ON</b>	
8. Select <i>Release Output</i> and check on Trip unit: <i>Input</i> = <b>OFF</b>	

**Final check list** Perform the operations described below after having completed the general inspection procedures and checked the accessories. Print this sheet and use it to make an inspection report in the "Checks" column.

Operation	Description	Check
1	Circuit-breaker OFF	Open the circuit-breaker
2	Circuit-breaker connected	Switch the circuit-breaker in withdrawable version to the connected position and reposition the crank in its seat
3	Trip unit Parameters	Adjust the protection trip unit in accordance with the design specifications of the installation (drawn up by design engineer of the installation). If necessary, power the protection trip unit with an Ekip TT unit
4	Removal of the Ekip TT	If present, remove the Ekip TT unit
5	Connecting the voltage	Connect the auxiliary voltage
6	Closing the switchgear	Close the switchgear door
7	Charging the springs	Charge the closing springs
8	Undervoltage coil	Make sure that undervoltage coil is energized
9	Opening and closing coils	Make sure that opening and closing coils are NOT energized
10	Mechanical interlock of the circuit-breaker	If present, make sure that the mechanical interlock of the circuit-breaker is not active
11	Locking devices	If present, make sure that the locking devices of the circuit-breaker are not active
12	Status signals	Make sure that the signalling devices on the front of the circuit-breaker indicate: circuit-breaker open - springs discharged O - OPEN and white spring signalling device DISCHARGED SPRING

---

## 2 - Identification of alarms or failures

---

**Introduction** The protection trip unit is able to identify some faults and to signal them through LEDs or display; you need to identify the cause and eliminate it before re-closing the circuit-breaker, both locally and remotely.



**WARNING! detecting faults must only be managed by persons skilled in electrical matters (IEV 195-04-01): person with sufficient training and experience to enable him or her to perceive risks and to avoid the dangers potentially created by electricity) This is because it may be necessary to perform insulation and dielectric tests on part or all of the installation.**

Some failures involve partial operation of the circuit-breaker. Consult the paragraphs “Faults, causes and remedies” where the possible causes of the main faults are listed.

Further information on the Ekip Touch and on the accessories mentioned in this chapter and which are not covered in this manual are available on the website <https://library.abb.com> with the Ekip Touch manual [1SDH001316R0002](#).

---

## Faults, causes and remedies

The following is a list of possible fault situations, their possible causes and suggestions for resolving them.



**NOTE:** with Ekip Touch, also make use of the suggestions given in document [1SDH001316R1002](#).

Faults	Possible causes	Suggestions
The circuit-breaker doesn't close when the closing pushbutton is pressed	The trip signal of the protection trip unit has not been reset	Press the TU mechanical reset pushbutton or operate the electrical reset remotely.
	The open-position key lock or padlock is activated	Unlock the lock in open position using the relevant key
	The circuit-breaker is in an intermediate position between connected and isolated for test or between isolated for test and disconnected	Complete the rack-in operation
	The undervoltage coil is not energized	Check the power supply circuit and the power supply voltage
	The opening coil is permanently energized	Correct operating condition.
	The trip unit pushbutton is pressed (withdrawable version)	Rotate the crank to complete
The circuit-breaker doesn't close when the closing coil is powered	The trip signal of the protection trip unit has not been reset	Press the TU Reset button
	The power supply voltage of the auxiliary circuits is too low	Measure the voltage: it should not be lower than 70% of the rated voltage of the coil
	The power supply voltage is different from that indicated on the rating plate	Check the voltage on the rating plate
	The cables of the coil are not inserted correctly in the terminals	Make sure there is continuity between cable and terminal and if necessary reconnect the cables of the coil to the terminals
	The connections in the power supply circuit are wrong	Check the connections using the relevant wiring diagram
	The closing coil is damaged	Replace the coil
	The operating mechanism is blocked	Perform the closing operation manually; if the fault persists contact ABB
	The open position key lock is activated	Unlock the lock in open position using the relevant key
	The circuit-breaker is in an intermediate position between connected and test or the trip unit pushbutton is pressed (withdrawable version)	Complete the rack-in operation
	The undervoltage coil is not energized	Make sure that undervoltage coil is energized properly
	The opening coil is permanently energized	Correct operating condition. If necessary, disconnect the power from the opening coil
The racking out crank handle is inserted (withdrawable version)	Remove the crank	
The circuit-breaker doesn't open when the opening pushbutton is pressed	The operating mechanism is blocked	Contact ABB

Continued on the next page

<b>Faults</b>	<b>Possible causes</b>	<b>Suggestions</b>
The circuit-breaker doesn't open when the opening coil is powered	The operating mechanism is blocked	Contact ABB
	The power supply voltage of the auxiliary circuits is too low	Measure the voltage: it should not be lower than 85 % of the rated voltage of the coil
	The power supply voltage is different from that indicated on the rating plate	Use the correct voltage
	The cables of the coil are not inserted correctly in the terminals	Make sure there is continuity between cable and terminal and if necessary reconnect the cables of the coil to the terminals
	The connections of the power supply circuit are wrong	Check the connections using the relevant wiring diagram
	The opening coil is damaged	Replace the coil
The circuit-breaker doesn't open despite the command of the undervoltage coil	The operating mechanism is blocked	Perform the opening operation manually; if the fault persists contact ABB
It is not possible to charge the closing springs by means of the manual charging lever	The operating mechanism is blocked	Contact ABB
It is not possible to charge the closing springs by means of the gearmotor	The cables of the gearmotor are not inserted correctly in the terminals	Make sure there is continuity between cable and terminal and if necessary reconnect the cables of the gearmotor to the terminals
	The connections of the power supply circuit are wrong	Check the connections using the relevant wiring diagram
	The circuit-breaker is in disconnected position	Switch the circuit-breaker to the test or connected position
	The gearmotor protection internal fuse has tripped	Replace the fuse
	The gearmotor is damaged	Replace the gearmotor
It is not possible to press the button in order to insert the racking out crank handle	The circuit-breaker is closed	Press the opening pushbutton in order to allow the insertion of the crank with the circuit-breaker open
It is not possible to insert the moving part in the fixed part	The racking-in/racking-out operation is not performed correctly	See chapters "Circuit breaker racking-in/racking-out operations" on pages 18 See the document 1SDH002013A1001
	The moving part is incompatible with the fixed part	Check the compatibility between the moving part and the fixed part
It is not possible to lock the circuit-breaker in the open position	The opening pushbutton is not being pressed	Press the opening pushbutton and activate the lock
	The lock in open position is defective	Contact ABB
It is not possible to perform the trip test	Trip coil is not connected properly	Check Trip coil connection and messages on display
	CB trip signal has not been reset	Press the reset pushbutton
	The busbar current is greater than zero	Correct operating condition.

Continued on the next page

<b>Faults</b>	<b>Possible causes</b>	<b>Suggestions</b>
It is not possible to remove the circuit-breaker from the disconnected position	Fail Safe lock active	Discharge the closing springs of the command
Trip times different than expected	Wrong threshold/time/curve selected	Correct parameters
	Thermal memory enabled	Disable it if it is not necessary
	Incorrect neutral selection	Modify the neutral selection
Rapid trip with I3 = Off	Inst trip	Correct operating condition with short circuit at high current
High ground-fault current, but no trip occurs	Function G inhibited owing to high current	Correct operating condition (see use cases in the chapter that describes the protection)
Measurements incorrect or absent (current, etc)	Current below the minimum threshold that can be displayed	Correct operating condition.
	Harmonic distortion and/or crest factor off range	Correct operating condition.
Opening data not displayed	No auxiliary power supply and/or battery low	Correct operating condition.

## 3 - Maintenance

Details related to this chapter are available in the manual [1SDH001330R1002](#) (Emax 2 engineering manual) available on the website ABB library.

## 4 - Decommissioning and treatment at end of life

**Safety standards** During the early stages of the process of decommissioning and end of life treatment of SACE Emax 2 circuit-breakers, observe the following safety rules:

- the closing springs, even if discharged, must never to be taken apart.
- for handling and lifting of the circuit-breakers refer to the section "Unpacking and handling" on page 10 .



**HAZARD! RISK OF ELECTRIC SHOCK! Unplug or disconnect any power supply, to avoid any potential risk of shock during removal of the circuit-breaker from the service.**



**WARNING! After dismantling the switchgear, the circuit-breaker must be stored in the open position with the closing springs discharged and with the front cover mounted.**

**Trained personnel** The operations for decommissioning SACE Emax 2 circuit-breakers involve performing procedures that can be performed by Trained Persons in the electrical field (IEV 195-04-02: person adequately advised or supervised by electrically skilled persons to enable him or her to perceive risks and to avoid danger which electricity can create).

**End of life treatment for circuit-breaker materials** The materials used in the production of SACE Emax 2 circuit-breakers are recyclable and should be treated separately as shown in the following table:

TYPE	MATERIAL
A	Plastic parts <sup>(1)</sup>
B	Metal parts
C	Printed circuits
D	Current sensors, cables, motors, electrical windings

<sup>(1)</sup> All the components of significant dimensions bear a mark specifying the type of material.



**NOTE:** refer to the national legislation in force at the time of decommissioning of the product, in the case where it specifies end of life treatment procedures different from those indicated.

**Disposal of packing materials** The materials used for the packaging of SACE Emax 2 circuit-breakers are recyclable and should be treated separately as shown in the following table:

TYPE	MATERIAL
A	Plastic parts
B	Cardboard parts
C	Wooden parts
D	Metal parts



**NOTE:** refer to the national legislation in force at the time of decommissioning of the product, in the case where it specifies end of life treatment procedures different from those indicated.

**Battery disposal**  **WARNING! Batteries should be disposed separately in accordance with current national and international standards.**







We reserve the right to make technical changes or modify the contents of this document without prior notice. ABB does not accept any responsibility whatsoever for potential errors or possible lack of information in this document.

We reserve all rights in this document and in the subject matter and illustrations contained therein. Any reproduction, disclosure to third parties or utilization of its contents – in whole or in parts – is forbidden without prior written consent of ABB.

Copyright© 2025 ABB - All rights reserved.



1SDH01000R0002 - ECN000449464