

—
INSTALLATION INSTRUCTION

Manual change-over and transfer switches

OT_C

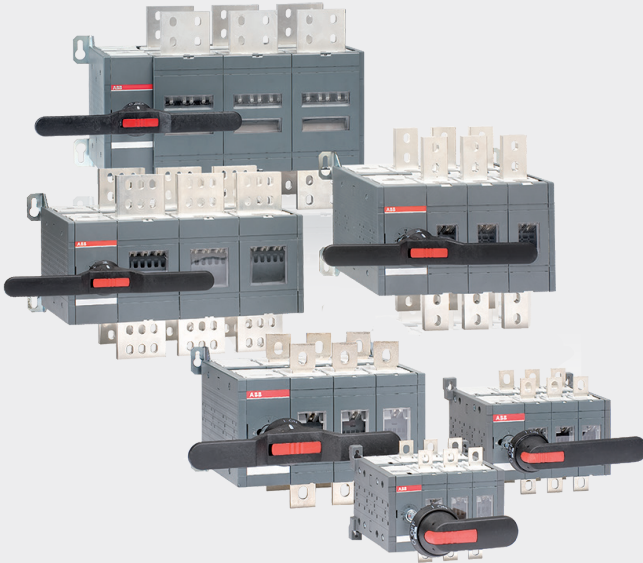
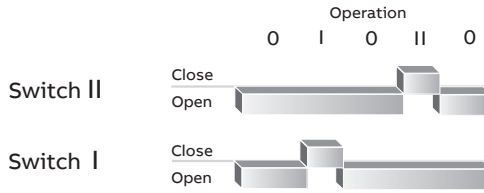
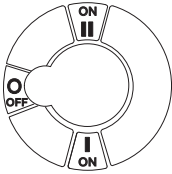


Table of contents

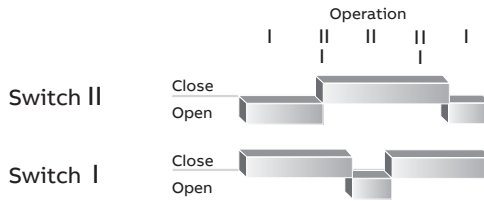
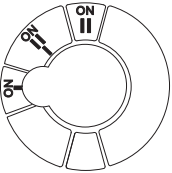
03	Operation
	Mounting and dimension drawings
04–06	OT_160-250E_C_, OT200U_C_
07–09	OT315-400E_C_, OT400U_C_
10–13	OT630-800E_C_, OT600U_C_
14–16	OT1000-1600E_C_, OT800U_C_
17–18	OT2000-2500E_C_
19–20	OT3200E_C_
21	Mounting positions Label
22	Connections
23–24	Terminal clamp sets OZX_
25–26	Bridging bars OTZC_
27	Reversing bars OTZR_
28	Auxiliary contacts OA_
29	Voltage sensing connectors OMZB_
30–31	Terminal shrouds OTS_
32–33	Handles, direct mounting OTV_
34	Clearances per UL98 & UL1008
35–38	Phase barriers OTB_
39	Warning sheet

Operation

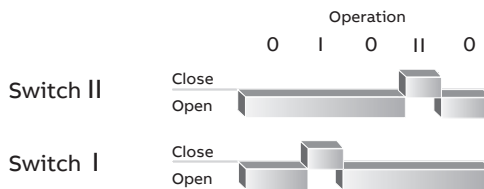
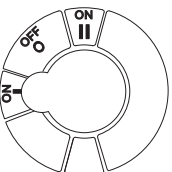
OT_100-3200_C



OT160-3200_CL

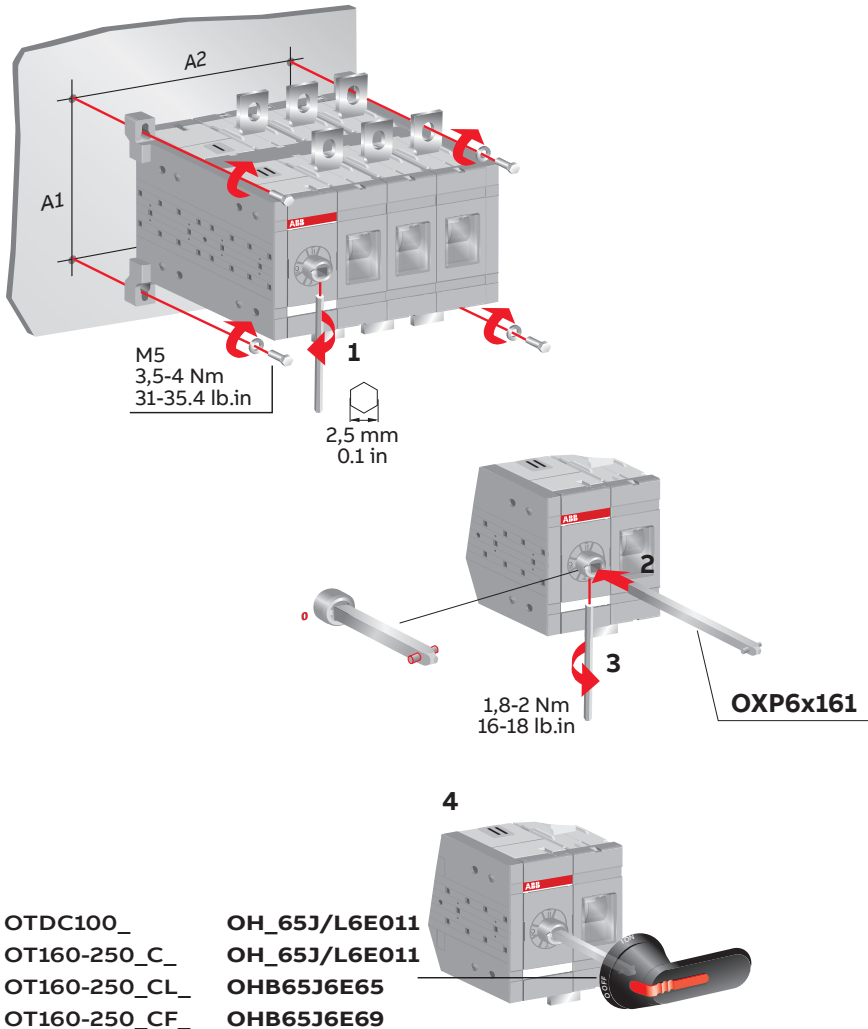


OT160-800_CF



Mounting

OT_160-250E_C_, OT200U_C_

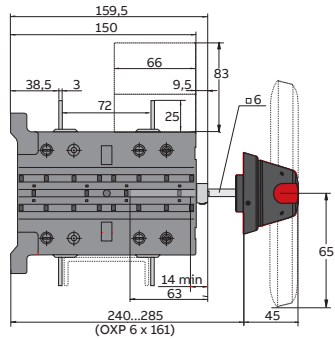
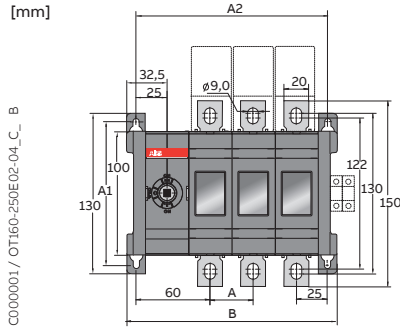


Dimension drawing

OT_160-250E_C_

OT160-250E02-04C_

[mm]



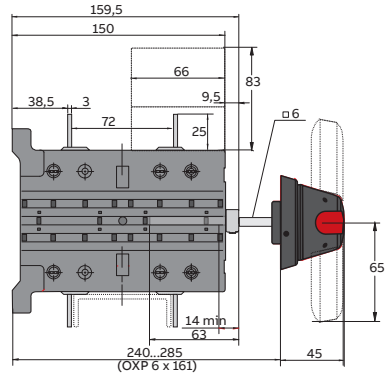
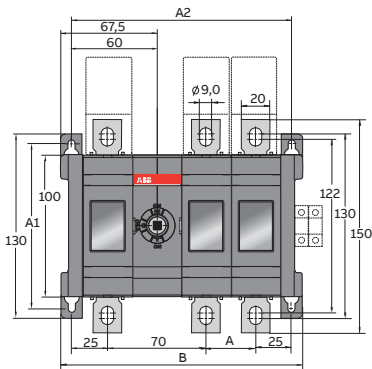
C000001 / OT160-250E02-04_C_ B

OT160-250_C_

	E02	E03	E04
A	35	35	35
A1	116	116	116
A2	120	155	190
B	135	170	205

OT160-250E12-33C_

[mm]



M00252 / OT160-250E12_33C B

OT160-250_C_

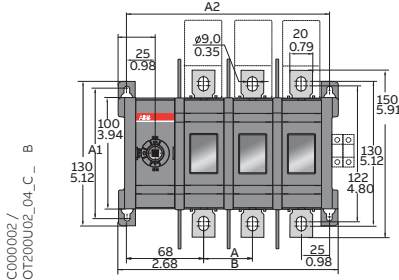
	E12	E13	E22	E23	E33
A	35	35	35	35	35
A1	116	116	116	116	116
A2	155	190	190	225	260
B	170	205	205	240	275

Dimension drawing

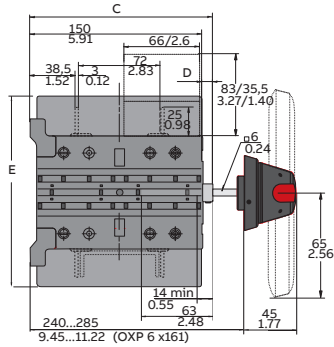
OT200U_, OT160-250E_WC

OT200U02-04C_ OT160-250E_WC_

[mm] / [in]



C000002 / OT200U02_04_C_ B



	OT200_C_		
	U02	U03	U04
A	43 / 1.69	43 / 1.69	43 / 1.69
A1	116 / 4.57	116 / 4.57	116 / 4.57
A2	136 / 5.35	179 / 7.05	222 / 8.74
B	151 / 5.94	194 / 7.64	237 / 9.33
C	159.5 / 6.28	159.5 / 6.28	159.5 / 6.28
D	9.5 / 0.37	9.5 / 0.37	9.5 / 0.37
E	170 / 6.69	170 / 6.69	170 / 6.69

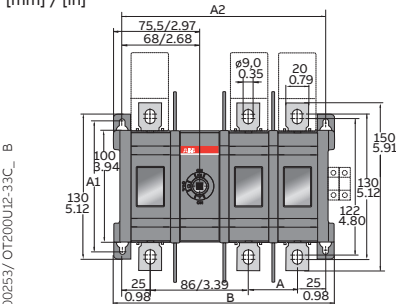
	OT160-250_WC_		
	E02	E03	E04
A	43	43	43
A1	116	116	116
A2	136	179	222
B	151	194	237

C000010 / OT160-250E_WC_ B

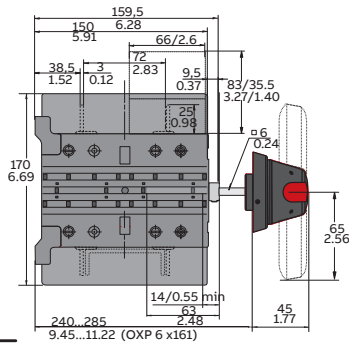
	OT200U40C-142		
	U02	U03	U04
A	43 / 1.69	43 / 1.69	43 / 1.69
A1	116 / 4.57	116 / 4.57	116 / 4.57
A2	136 / 5.35	179 / 7.05	222 / 8.74
B	151 / 5.94	194 / 7.64	237 / 9.33
C	156 / 6.14	156 / 6.14	156 / 6.14
D	4.5 / 0.18	4.5 / 0.18	4.5 / 0.18
E	247 / 9.7	247 / 9.7	247 / 9.7

OT200U12-33C_

[mm] / [in]



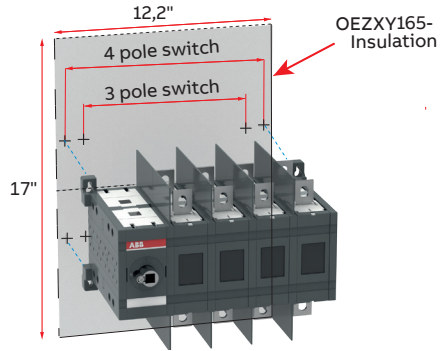
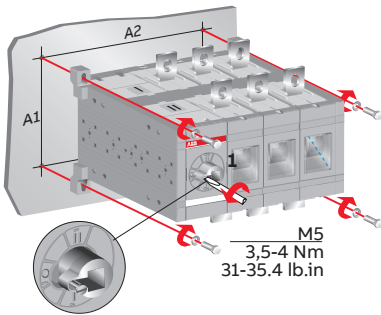
M00253 / OT200U12-33C_ B



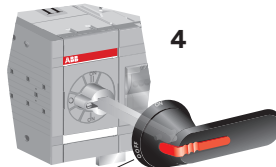
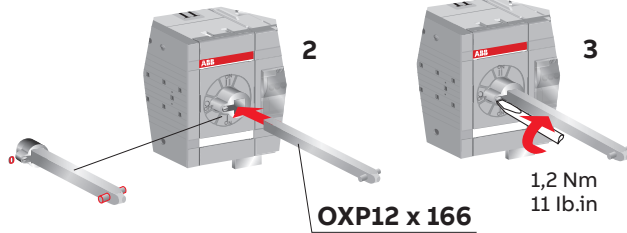
	OT200_C_				
	U12	U13	U22	U23	U33
A	43 / 1.69	43 / 1.69	43 / 1.69	43 / 1.69	43 / 1.69
A1	116 / 4.57	116 / 4.57	116 / 4.57	116 / 4.57	116 / 4.57
A2	179 / 7.05	222 / 8.75	222 / 8.74	265 / 10.43	308 / 12.13
B	194 / 7.64	237 / 9.34	237 / 9.33	280 / 11.02	323 / 12.72

Mounting

OT315-400E_C_, OT400U_C_



In UL1008 applications with OT400U_C the insulation sheet OEZXY165 use is mandatory, included with the product package.



OT315-400_C_ OH_95J/L12E011
 OT315-400_CL_ OHB95J12E65
 OT315-400_CF_ OHB95J12E69

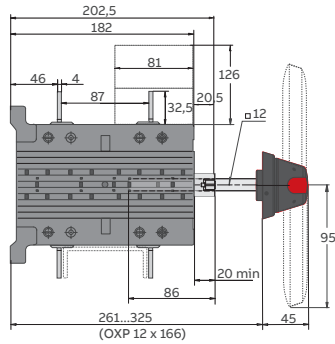
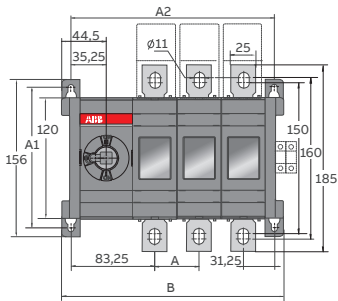
Dimension drawing

OT315-400E_C_

OT315-400E02-04C_

[mm]

C000008 / 315-400E02-04_C_ B



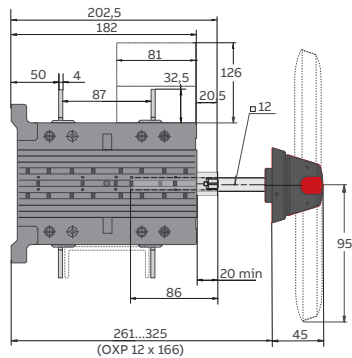
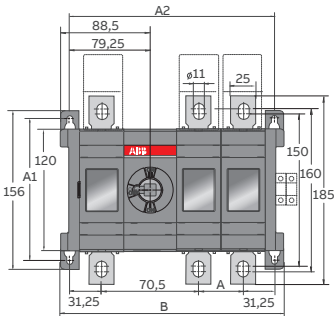
OT315-400_C_

	E02	E03	E04
A	44	44	44
A1	142	142	142
A2	158,5	202,5	246,5
B	177	221	265

OT315-400E12-33C_

[mm]

M00254 / OT315-400E12-33C_ B



OT315-400_C_

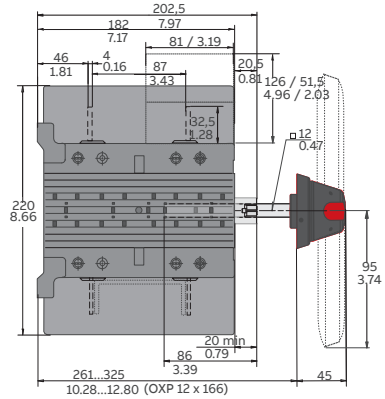
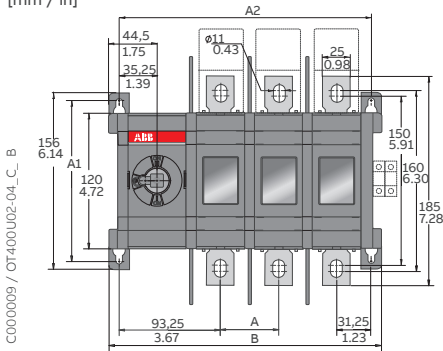
	E12	E13	E22	E23	E33
A	44	44	44	44	44
A1	142	142	142	142	142
A2	202,5	246,5	246,5	290,5	334,5
B	221	265	265	309	253

Dimension drawing

OT400U_C_

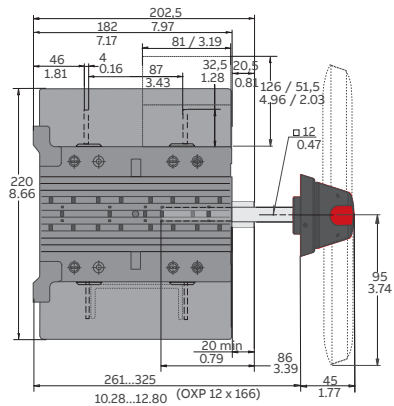
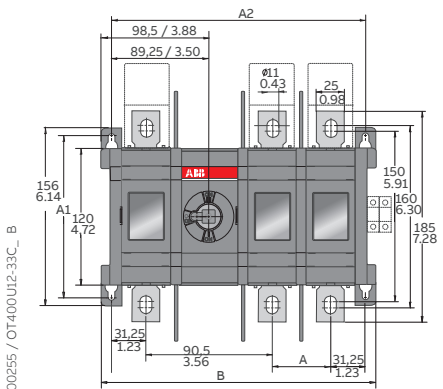
OT400U02-04C_

[mm / in]



	OT400_C_		
	U02	U03	U04
A	54 / 2.13	54 / 2.13	54 / 2.13
A1	142 / 5.59	142 / 5.59	142 / 5.59
A2	178,5 / 7.03	232,5 / 9.15	286,5 / 11.28
B	197 / 7.76	251 / 9.88	305 / 12.01

OT400U12-33C_



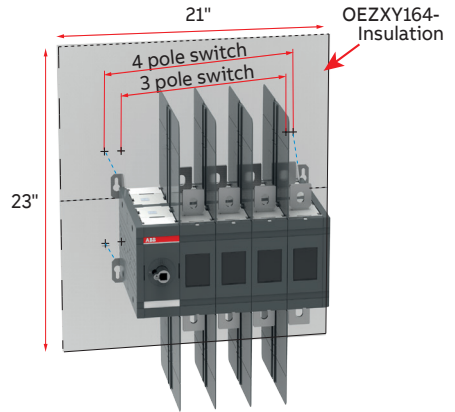
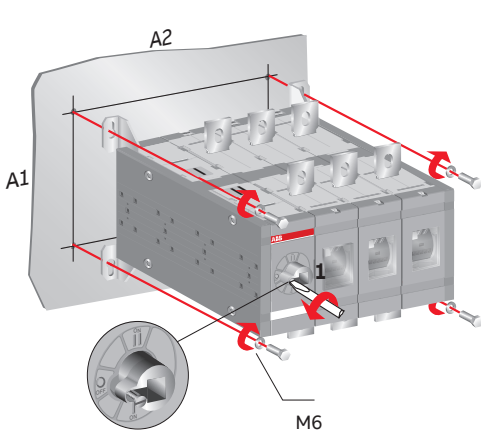
	OT400_C_				
	U12	U13	U22	U23	U33
A	54 / 2.13	54 / 2.13	54 / 2.13	54 / 2.13	54 / 2.13
A1	142 / 5.59	142 / 5.59	142 / 5.59	142 / 5.59	142 / 5.59
A2	232,5 / 9.15	286,5 / 11.28	286,5 / 11.28	340,5 / 13.41	394,5 / 15.53
B	251 / 9.88	305 / 12.01	305 / 12.01	359 / 14.13	413 / 16.26

M00255 / OT400U12-33C_ B

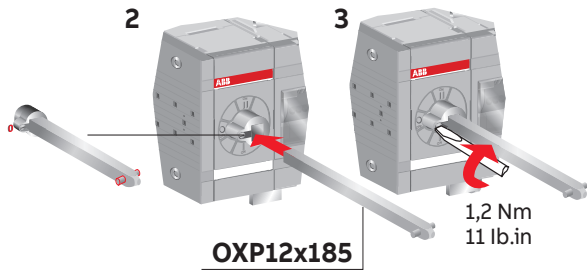
C000009 / OT400U02-04_C_ B

Mounting

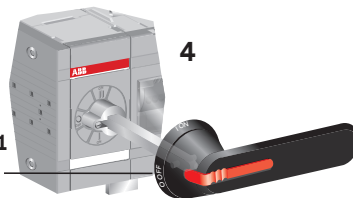
OT630-800E_C_, OT600U_C_



In UL1008 applications with OT600U_C the insulation sheet OEZXY164 use is mandatory, included with the product package.



- OT600-800_C_ OH_125J/L12E011
- OT600-800_CL_ OHB145J12E65
- OT600-800_CF_ OHB145J12E69

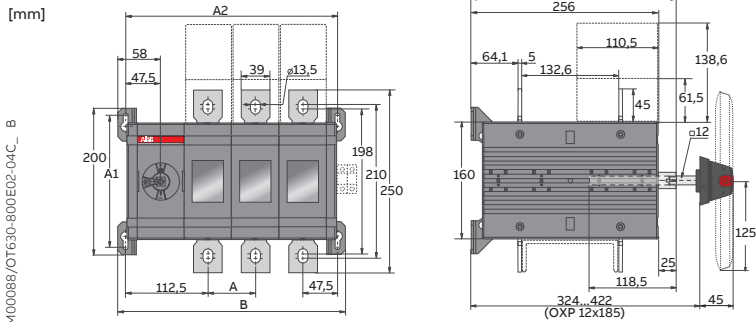


Dimension drawing

OT630-800E_C_

OT630-800E02-04C_

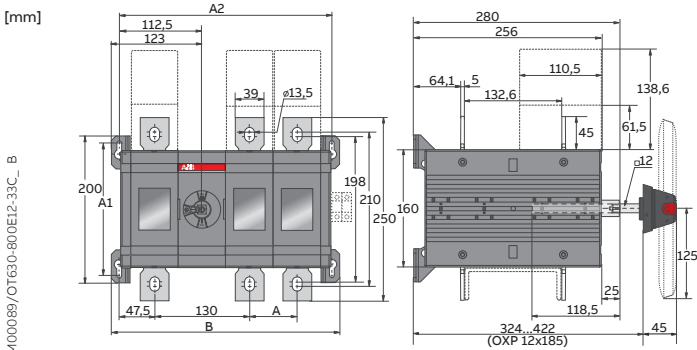
[mm]



OT630-800_C_			
	E02	E03	E04
A	65	65	65
A1	180	180	180
A2	225	290	355
B	246	311	376

OT630-800E12-33C_

[mm]



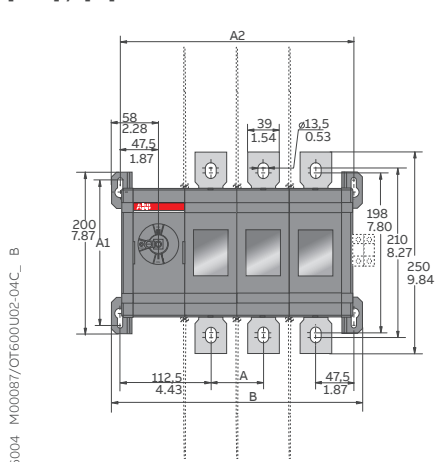
OT630-800_C_					
	E12	E13	E22	E23	E33
A	65	65	65	65	65
A1	180	180	180	180	180
A2	290	355	355	420	485
B	311	376	376	441	506

Dimension drawing

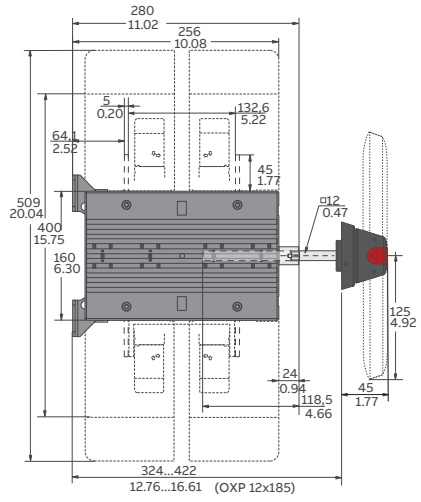
OT600U_C_

OT600U02-04C_

[mm] / [in]



A06004 M00087/OT600U02-04C_ B



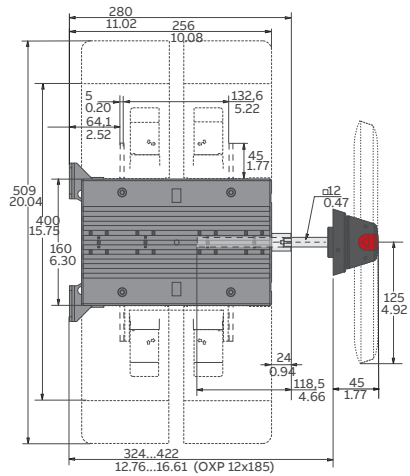
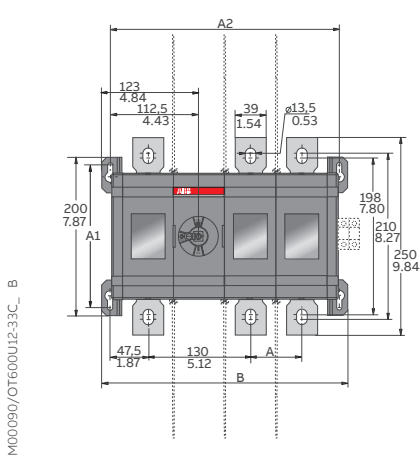
OT600_C_			
	U02	U03	U04
A	65 / 2.56	65 / 2.56	65 / 2.56
A1	180 / 7.09	180 / 7.09	180 / 7.09
A2	225 / 8.86	290 / 11.42	355 / 13.98
B	246 / 9.69	311 / 12.24	376 / 14.80

Dimension drawing

OT600U_C_

OT600U12-33C_

[mm] / [in]

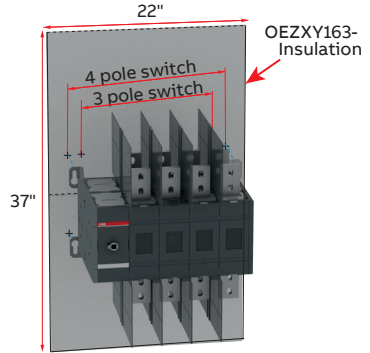
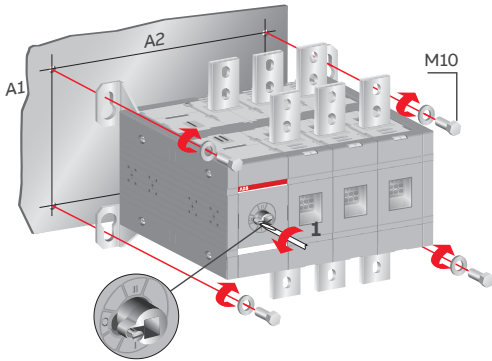


OT600_C_					
	U12	U13	U22	U23	U33
A	65 / 2.56	65 / 2.56	65 / 2.56	65 / 2.56	65 / 2.56
A1	180 / 7.09	180 / 7.09	180 / 7.09	180 / 7.09	180 / 7.09
A2	290 / 11.42	355 / 13.98	355 / 13.98	420 / 16.54	485 / 19.10
B	311 / 12.24	376 / 14.80	376 / 14.80	441 / 17.36	506 / 19.92

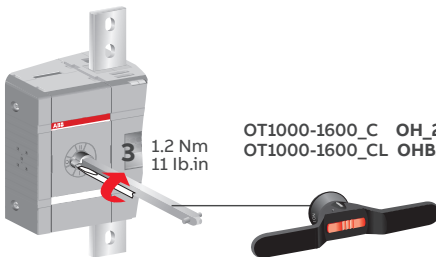
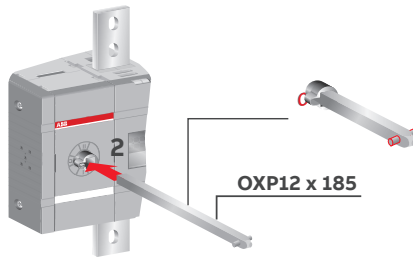
M00090/OT600U12-33C_ B

Mounting

OT1000-1600E_C_, OT800U_C_



In UL1008 applications with OT800U_C the insulation sheet OEZXY163 use is mandatory, included with the product package.



1.2 Nm
11 lb.in

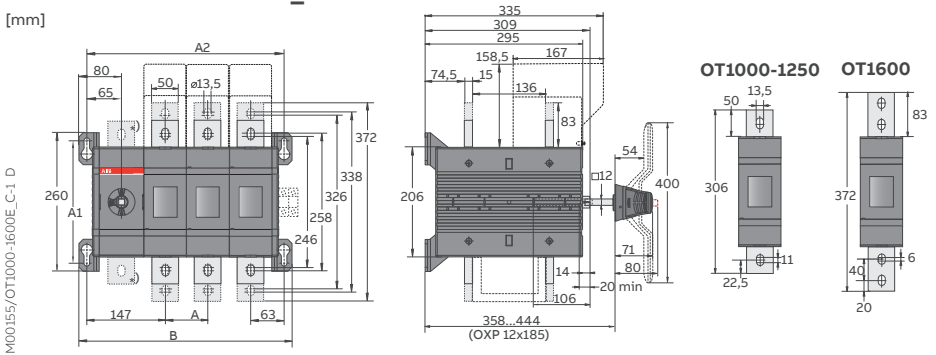
OT1000-1600_C OH_200J12PE011
OT1000-1600_CL OHB200J12PE65

Dimension drawing

OT1000-1600E_C_

OT1000-1600E02-04C_

[mm]



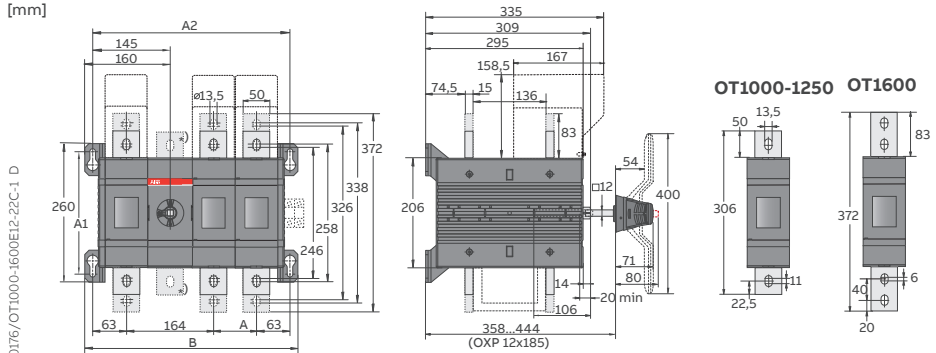
M00155/OT1000-1600E_C-1 D

OT1000-1600_C_			
	E02	E03	E04
A	80	80	80
A1	230	230	230
A2	290	370	450
B	320	400	480

*) N3 types

OT1000-1600E12-22C_

[mm]



M00176/OT1000-1600E12-22C-1 D

OT1000-1600_C_			
	E12	E13	E22
A	80	80	80
A1	230	230	230
A2	370	450	450
B	400	480	480

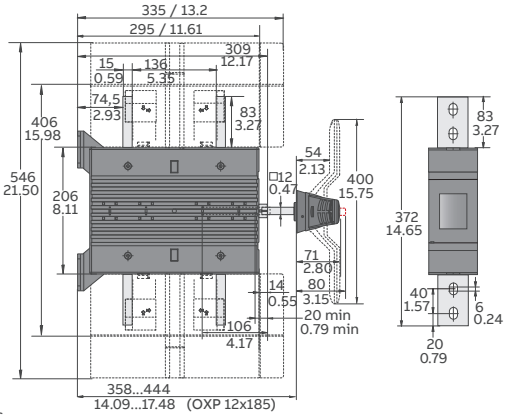
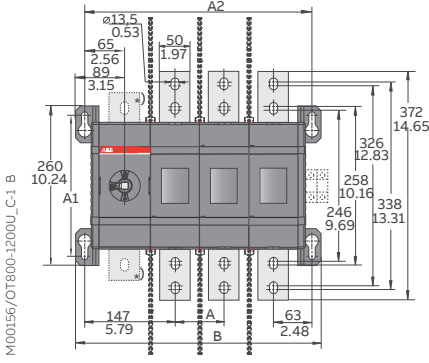
*) N3 types

Dimension drawing

OT800-1200U_C_

OT800-1200U02-04C_

[mm] / [in]

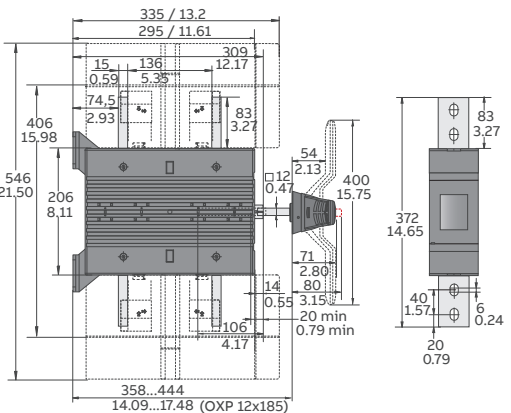
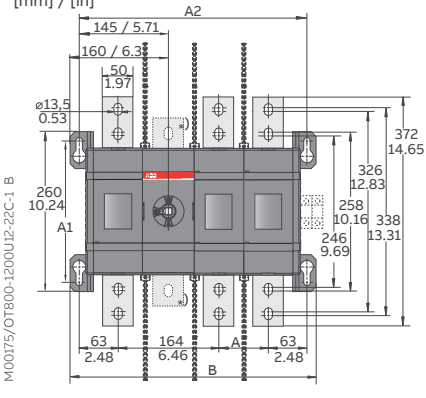


OT800-1200_C			
	U02	U03	U04
A	80 / 3.15	80 / 3.15	80 / 3.15
A1	230 / 9.06	230 / 9.06	230 / 9.06
A2	290 / 11.42	370 / 14.56	450 / 17.72
B	320 / 12.60	400 / 15.75	480 / 18.90

→ N3 types

OT800-1200U12-22C_

[mm] / [in]



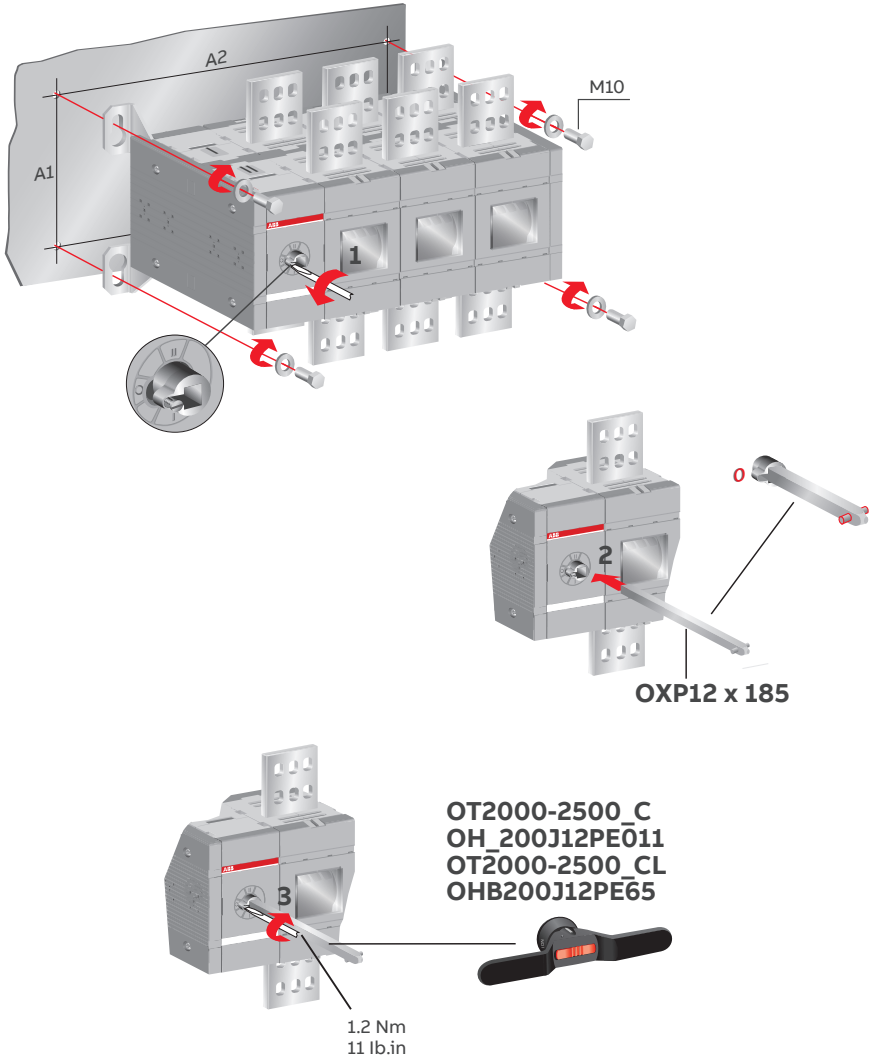
OT800-1200_C_			
	U12	U13	U22
A	80 / 3.15	80 / 3.15	80 / 3.15
A1	230 / 9.06	230 / 9.06	230 / 9.06
A2	370 / 14.56	450 / 17.72	450 / 17.72
B	400 / 15.75	480 / 18.90	480 / 18.90

→ N3 types

Mounting

OT2000-2500E_C_

A066007

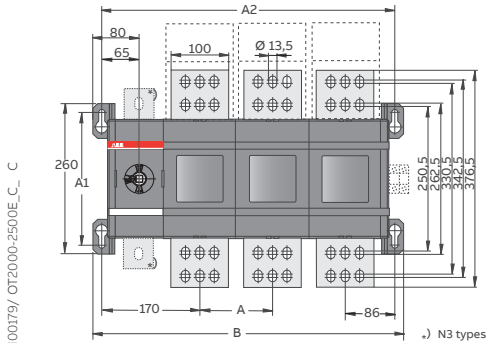


Dimension drawing

OT2000-2500E_C_

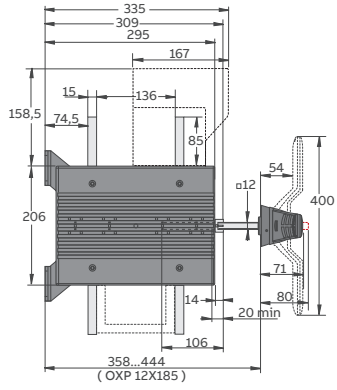
OT2000-2500E02-04C_

[mm]



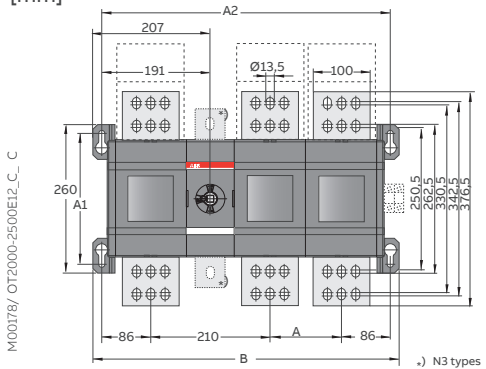
M00179/ OT2000-2500E_C_ C

OT2000-2500_C_			
	E02	E03	E04
A	126	126	126
A1	230	230	230
A2	362	508	634
B	412	538	664



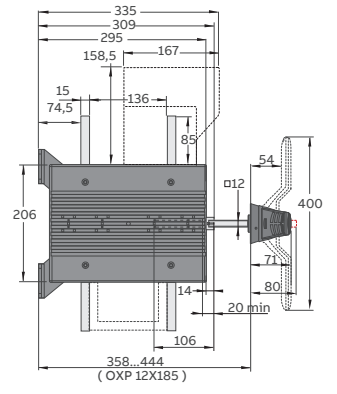
OT2000-2500E12-22C_

[mm]



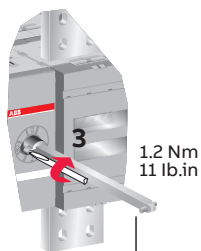
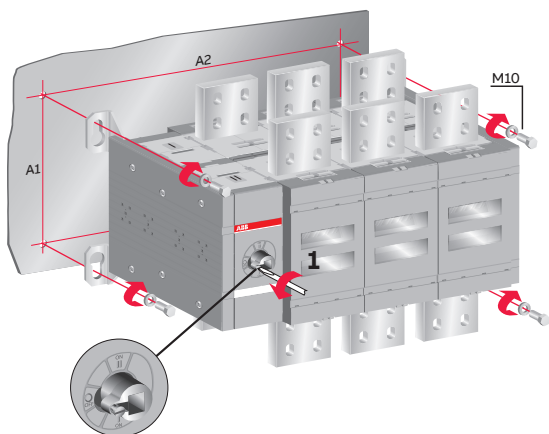
M00178/ OT2000-2500E12_C_ C

OT2000-2500_C_			
	E12	E13	E22
A	126	126	126
A1	230	230	230
A2	508	634	634
B	538	664	664



Mounting

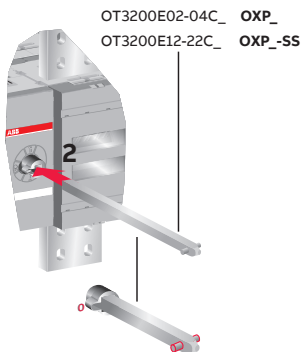
OT3200E_C_



OT3200_C **OH_200J12PE011**
 OT3200_CL **OHB200J12PE65**



OT3200_C_			
	E02	E03	E04
A	420	560	700
B	450	590	730



A06007

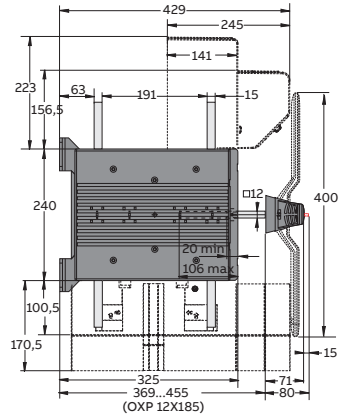
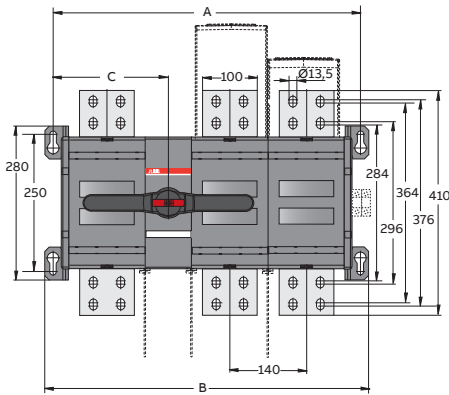
Dimension drawing

OT3200E_C_

OT3200E12-22C_

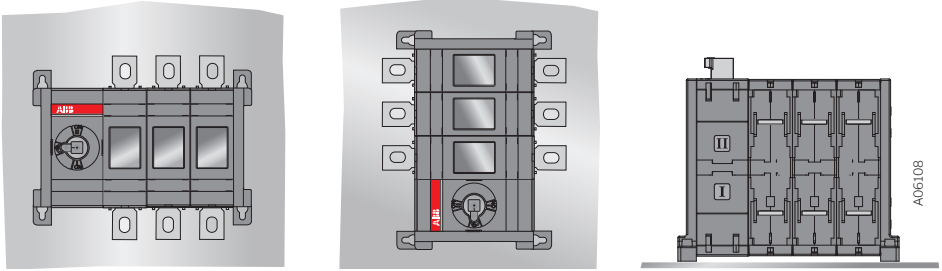
[mm]

M00436/OT3200E12-22C B

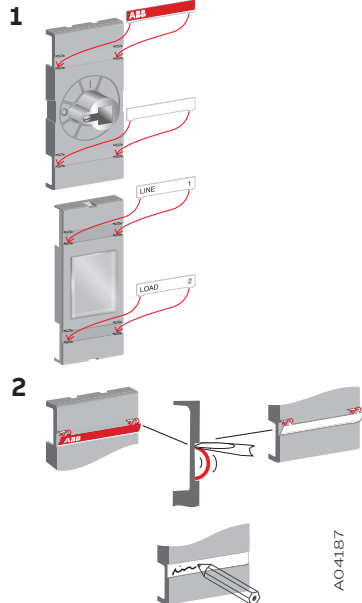
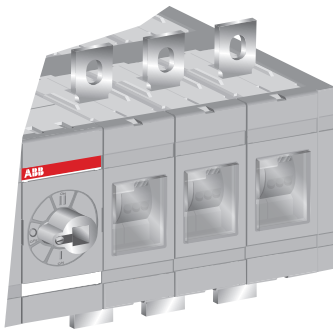


OT3200_C_			
	E12	E13	E22
A	560	700	700
B	590	730	730
C	210	210	350

Mounting positions

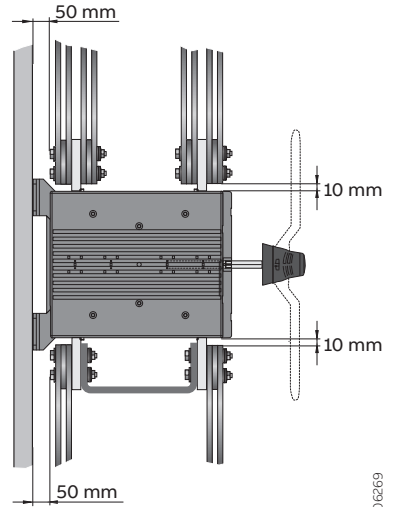
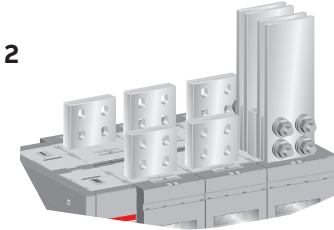
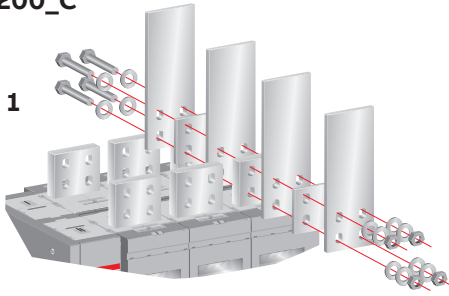


Label



Connections

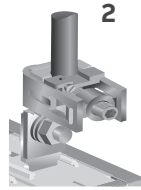
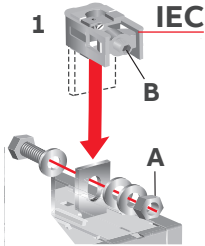
OT3200_C



ADG269

Terminal clamp sets

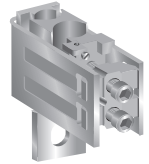
OZX_
IEC



IEC

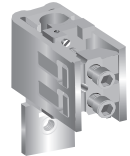
OT2000-2500E_C_
OT3200E_C_

OZXB3
OZXB4
OZXB5
OZXB6
OZXB7L



OT1000-1600E_C_

OZXB3
OZXB4
OZXB5
OZXB6*
OZXB7L



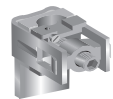
OT630-800E_C_

OZXB3
OZXB4
OZXB5
OZXB6*
OZXB7L



OT315-400E_C_

OZXB2L
OZXB3
OZXB7
OZXB7L
OZXB8
OZXB9

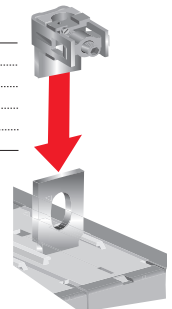


OT160-250E_C_

OZXB1L
OZXB2
OZXB2L
OZXB8
OZXB9

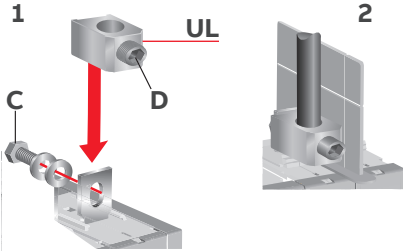


* max. 1 pcs/side



Terminal clamp sets

OZX_
UL



OT400U_C_		
OZXA-400_		
C	D	
228 lb.in/25.8 Nm	375 lb.in/42.4 Nm	

OT200U40C-142		
D2057		
C	D	
97.4 lb.in/11 Nm	AWG	lb.in/Nm
	2x(2/0-14)	120/13.6

OT200U40C-143		
MTS-LUG-0009		
C	D	
159.3 lb.in/18 Nm	AWG	lb.in/Nm
	2x(2/0-14)	120/13.6

OT200U40C-143		
MTS-LUG-0011		
C	D	
159.3 lb.in/18 Nm	AWG	lb.in/Nm
	2x(2/0-14)	120/13.6

OT100U_C_		
OZXA-100_		
C	D	
124 lb.in/14 Nm	AWG	lb.in/Nm
	14-10	35/4
	8	40/4.5
	6-4	45/5.1
	3-2/0	50/5.6



UL

OT800-1200U_C_	
OZXA-1200_	
C	D
443 lb.in/50.1 Nm	500 lb.in/56.5 Nm

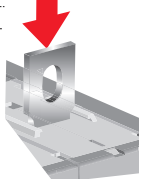
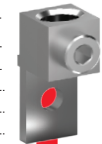
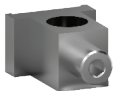
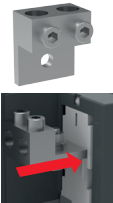
OT600U_C_	
OZXA-800_	
C	D
480 lb.in/54.2 Nm	500 lb.in/56.5 Nm

OT200U_C_	
OZXA-200_	
C	D
132 lb.in/14.9 Nm	200 lb.in/22.6 Nm

OT200U40C-142		
D3626A22T		
C	D	
97.4 lb.in/11 Nm	AWG	lb.in/Nm
	2/0-14	120/13.6

OT200U40C-143		
MTS-LUG-0010		
C	D	
159.3 lb.in/18 Nm	AWG	lb.in/Nm
	2/0-14	120/13.6

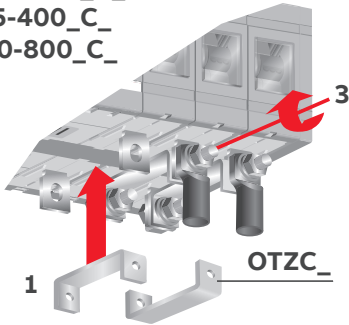
OT100U_C_		
OZXA-24		
C	D	
132 lb.in/14.9 Nm	AWG	lb.in/Nm
	14-10	35/4
	8	40/4.5
	6-4	45/5.1
	3-2/0	50/5.6



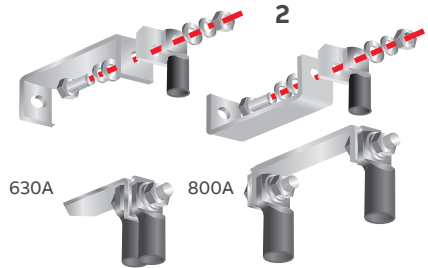
Bridging bars

OTZC_

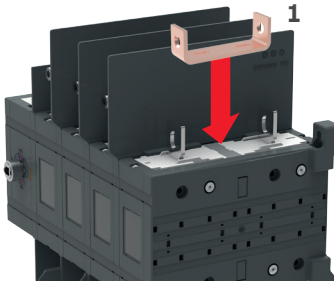
OT_100-250_C_
OT315-400_C_
OT600-800_C_



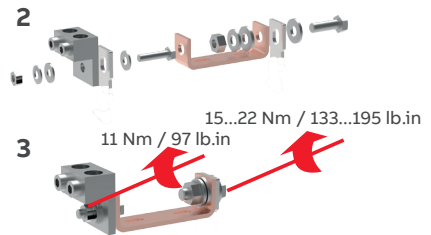
OT_100-250_C_ OTZC13, OTZC14
OT315-400_C_ OTZC23, OTZC24
OT600-800_C_ OTZC33, OTZC34



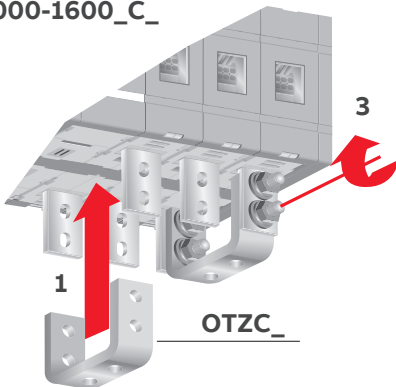
OT200U40C-142



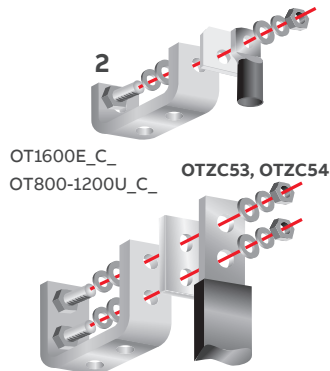
OT200U40C-142 OTZC14



OT1000-1600_C_



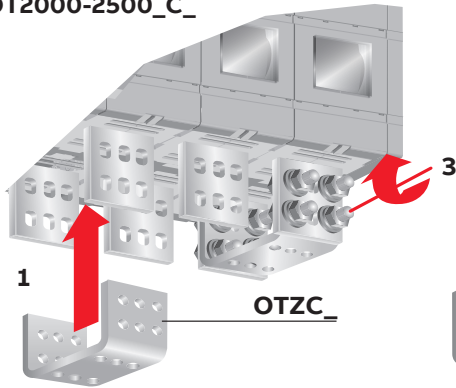
OT1000-1250E_C_ OTZC43, OTZC44



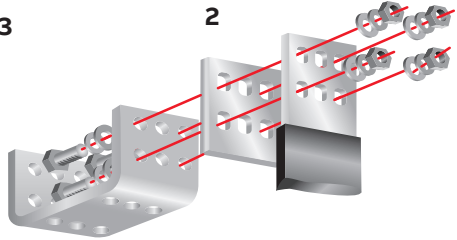
Bridging bars

OTZC_

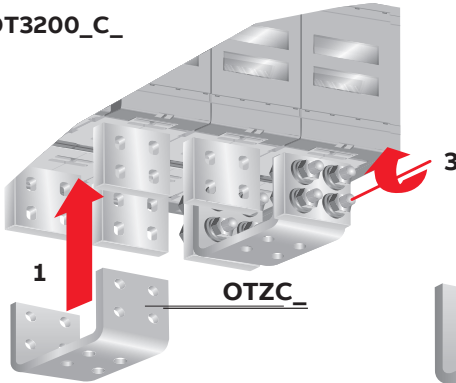
OT2000-2500_C_



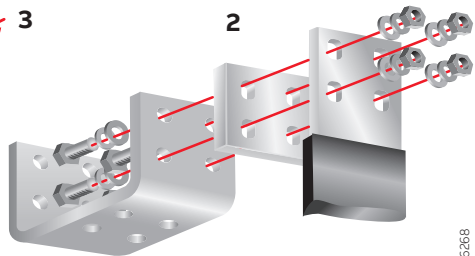
OT2000-2500E_C_ OTZC63, OTZC64



OT3200_C_



OT3200E_C_ OTZC73, OTZC74



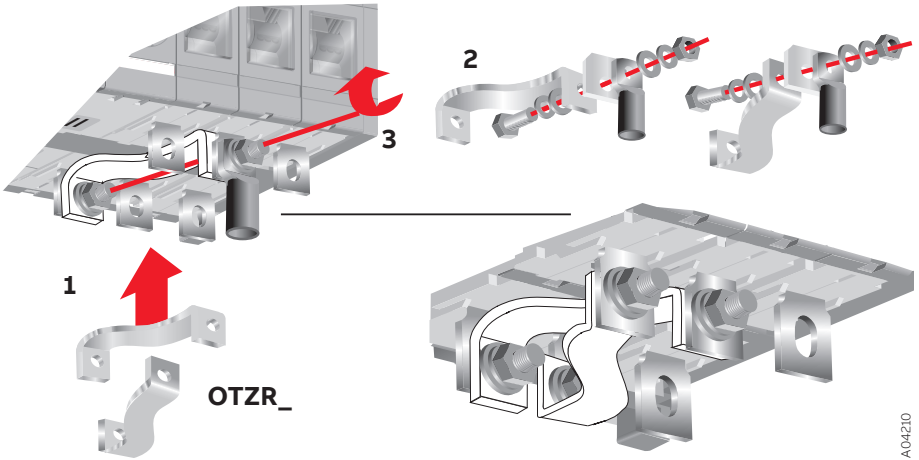
A06368

Switch	Torque	Bridging bar
OT_100-250_C_	15...22 Nm / 133...195 lb.in	OTZC13 , OTZC14
OT315-400_C_	30...44 Nm / 266...390 lb.in	OTZC23 , OTZC24
OT600-800_C_	50...75 Nm / 443...664 lb.in	OTZC33 , OTZC34
OT1000-1600_C_	50...75 Nm / 443...664 lb.in	OTZC43 , OTZC44
OT1600E_C_ & OT800-1200U_C_	50...75 Nm / 443...664 lb.in	OTZC53 , OTZC44
OT2000-2500_C_	50...75 Nm / 443...664 lb.in	OTZC63 , OTZC64
OT3200_C_	50...75 Nm / 443...664 lb.in	OTZC73 , OTZC74

Reversing bars

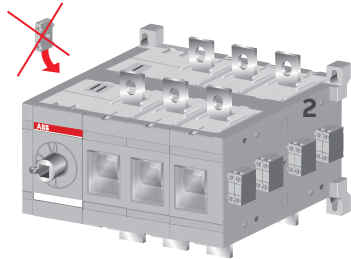
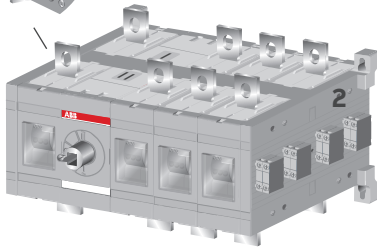
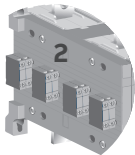
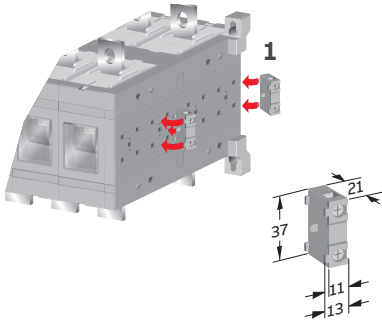
OTZR_

OT_100-250_C_	OTZR1
OT315-400_C_	OTZR2
OT600-800_C_	OTZR3

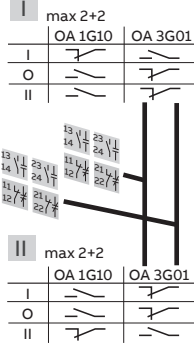


Auxiliary contacts

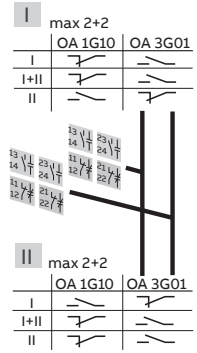
OA_



OT_C
OT_CF



OT_CL

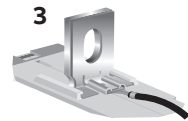
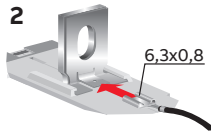
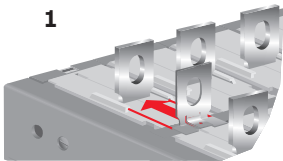


Voltage sensing connectors

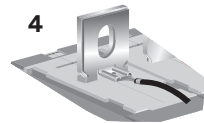
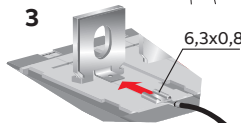
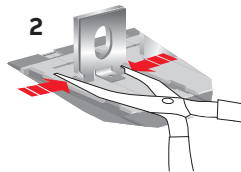
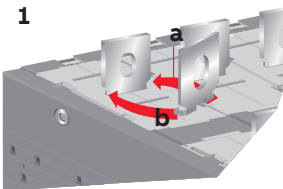
OMZB_



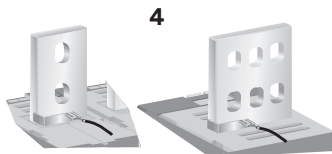
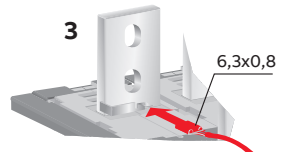
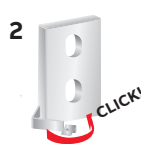
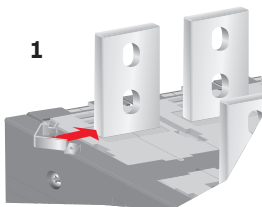
OMZB1_ OT160-250_C_
OMZB2_ OT315-400_C_



OMZB3_ OT630-800E_C_
OT600U_C_

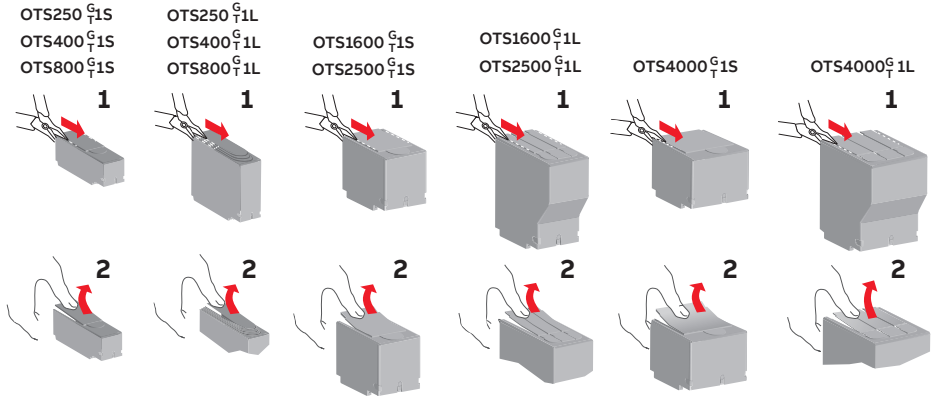


OMZB4_ OT1000-2500E_C_
OT800U_C_
OT3200E_C_



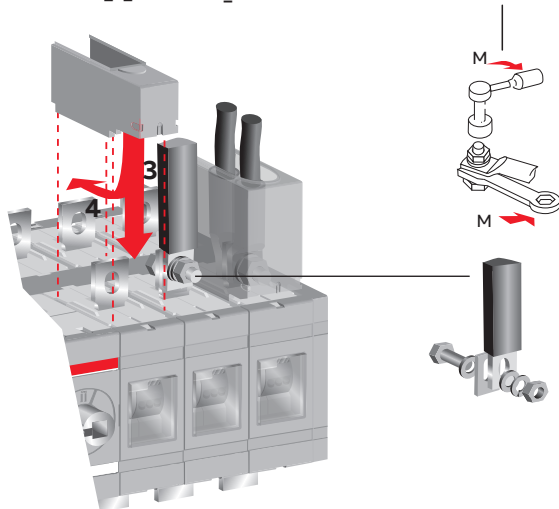
Terminal shrouds

OTS_



OT_100-250_C_
OT315-400_C_
OT600-800_C_

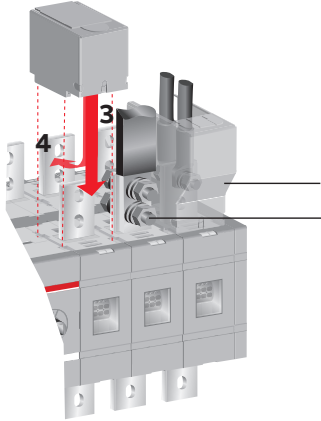
		M	M
OT_100-250_C_	OTS250_	M8 15...22 Nm	5/16DIA in 133-195 lb.in
OT315-400_C_	OTS400_	M10 30...44 Nm	266-390 lb.in
OT600-800_C_	OTS800_	M12 50...75 Nm	433-664 lb.in



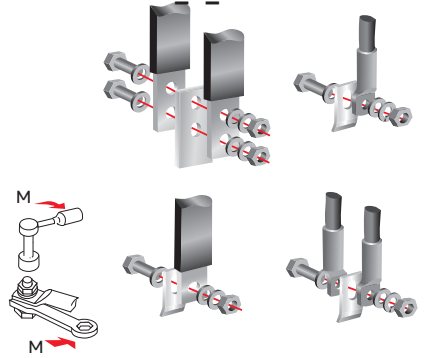
Terminal shrouds

OTS_

OT1000-1600_C_



OT1000-1600E_C_
OT800-1200U C_

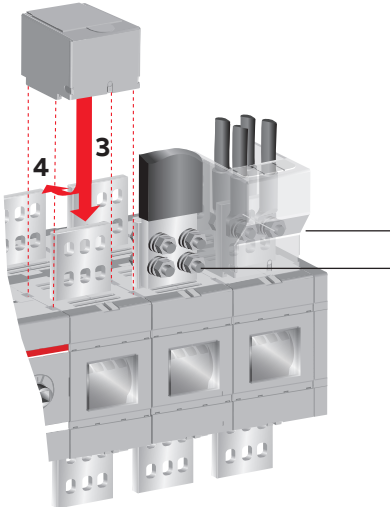


M12

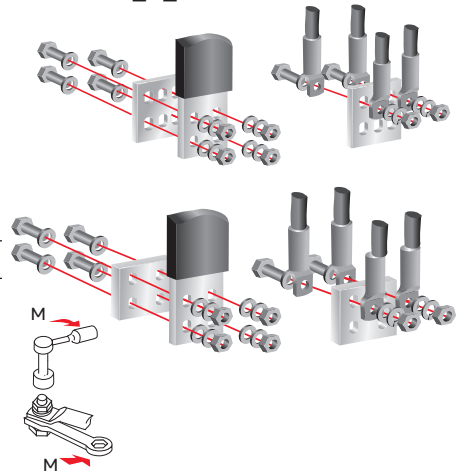
50...75 Nm

443-664 lb.in

OT2000-2500_C_
OT3200_C_



OT2000-2500E_C_
OT3200E_C_



M12

50...75 Nm

443-664 lb.in

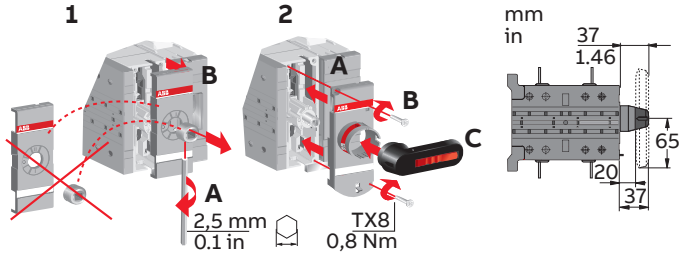
Handles, direct mounting

OTV_

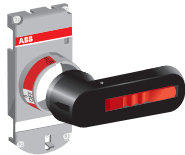
OT_100-250_C
OT160-250_CL
OT160-250_C_F



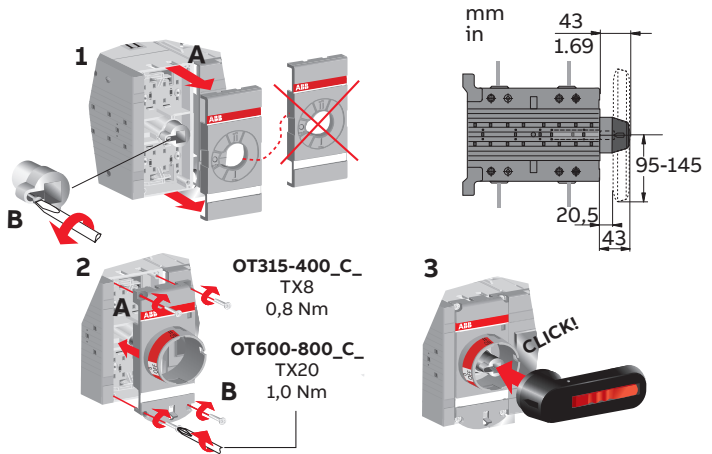
OTV250ECK
OTV250ECLK
OTV250ECKF



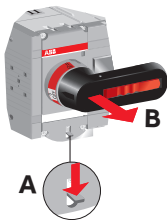
OT315-800_C
OT315-800_CL
OT315-800_C_F



OTV400ECK
OTV800ECK
OTV400ECLK
OTV800ECLK
OTV400ECKF
OTV800ECKF

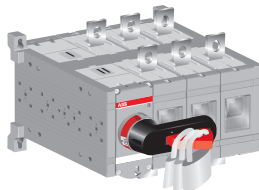


Remove

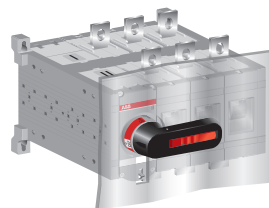


Locking

Ø5...6 mm



Note: Protection against direct contact is mandatory to use. For example:



Handles, direct mounting

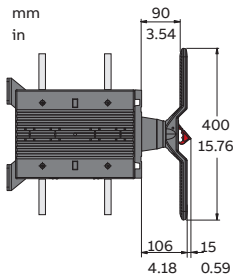
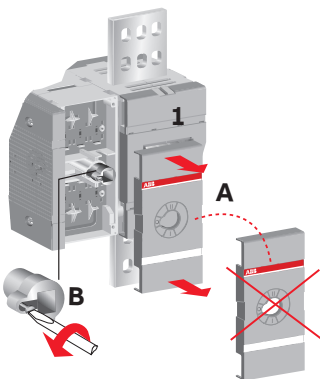
OTV_

OT1000-2500_C
OT1000-2500_CL

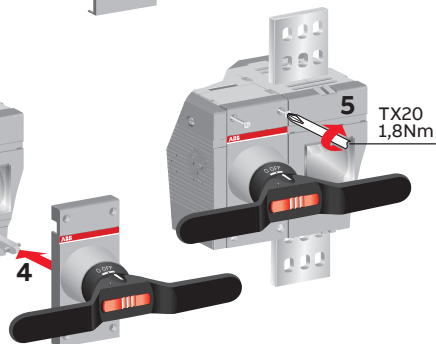
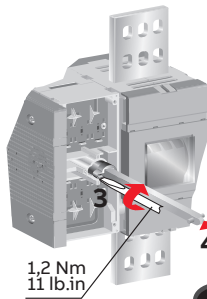
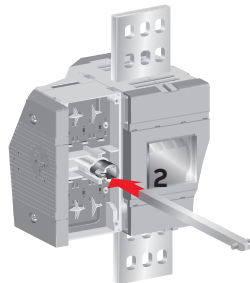
OTV1000ECK
OTV1000ECLK



OTV3200ECK
OTV3200ECLK

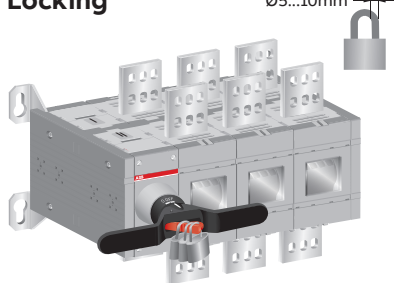


OT3200_C
OT3200_CL

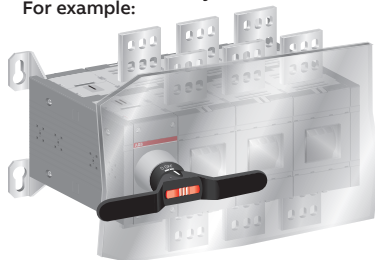


Locking

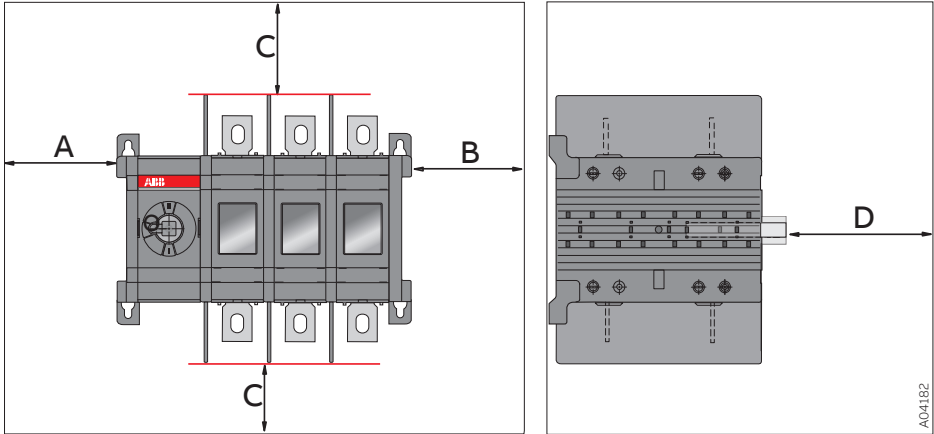
Ø5...10mm



Note: Protection against direct contact is mandatory to use.
For example:



Clearances per UL98 & UL1008



UL standard switches, clearances per UL98 & UL1008

Size (Current)	A	B	D	C
OT_100-1200U_C	0	0.5 in/13 mm	0.5 in/13 mm	According to the UL98 & UL1008 standard

Minimum enclosure size or equivalent volume

UL98:

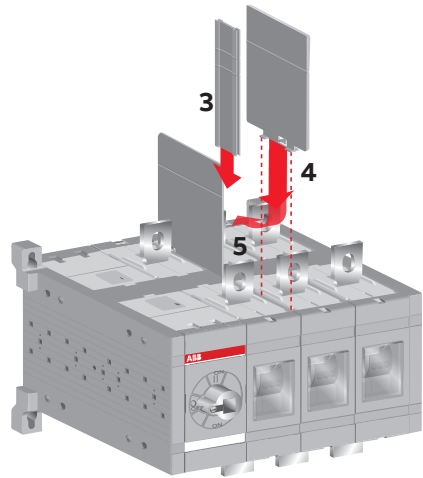
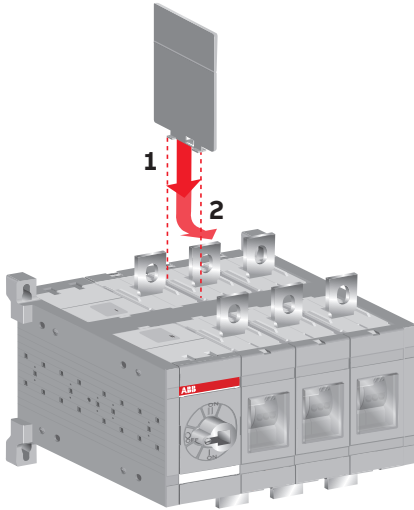
Size (current)	Current	Height	Width	Depth
OT200U_C	200 A	16 in/406 mm	12 in/305 mm	8 in/203 mm
OT200U40C-142	100 A	15.7 in/400 mm	15.7 in/400 mm	9.1 in/230 mm
OT200U40C-143	100 A	15.7 in/400 mm	15.7 in/400 mm	9.1 in/230 mm
OT400U_C	400 A	24 in/610 mm	14 in/356 mm	10 in/254 mm
OT600U_C	600 A	24 in/610 mm	28 in/700 mm	16 in/400 mm
OT800-1200U_C	800/940 A	48 in/1220 mm	24 in/610 mm	16 in/400 mm

UL1008:

Size (current)	Current	Height	Width	Depth
OT200U_C	200 A	18 in/457 mm	18 in/457 mm	10 in/255 mm
OT400U_C	400 A	24 in/600 mm	14 in/355 mm	10 in/255 mm
OT600U_C	600 A	24 in/600 mm	28 in/700 mm	16 in/400 mm
OT800U_C	800 A	48 in/1220 mm	24 in/610 mm	16 in/400 mm

Phase barriers

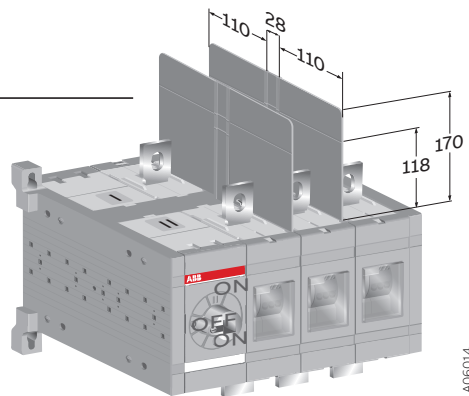
OTB_



Phase barrier type 68838 on:
OT600U_C
OT630-800E_C

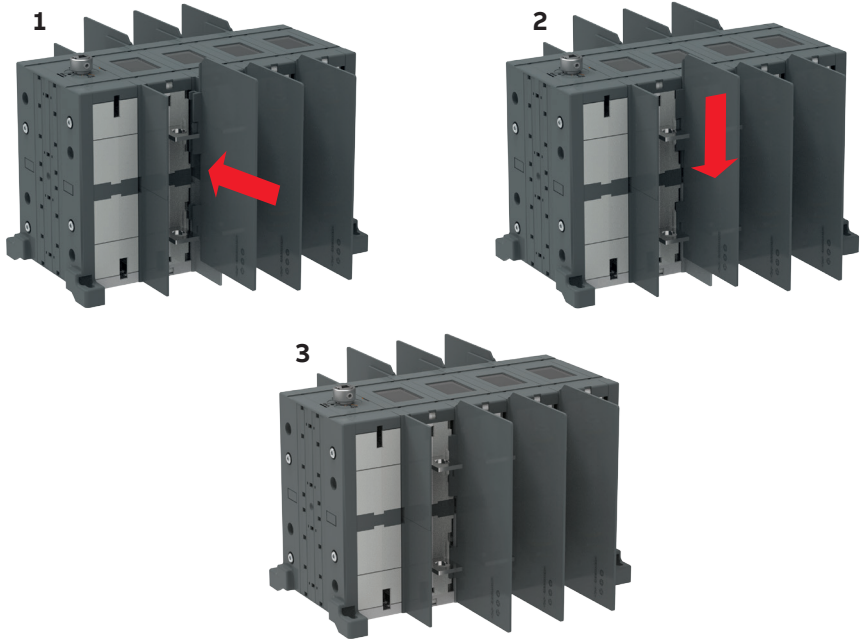
Phase barriers 68838 or shrouds must be used to maintain a clearance of 1 inch on the manual change-over and transfer switch type OT600U_C, if lugs are wider than 39 mm/ 1.54 in.

The type for the package of 6 barriers is OTB800/6C.



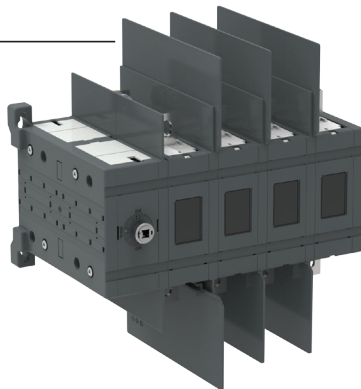
Phase barriers

OTB_



Phase barrier type 69819 on:
OT200U40C-142/120

Phase barriers 69819 or shrouds must be used to maintain a clearance of 1 inch on the manual change-over and transfer switch type OT200U40C-142/120.



Phase barriers

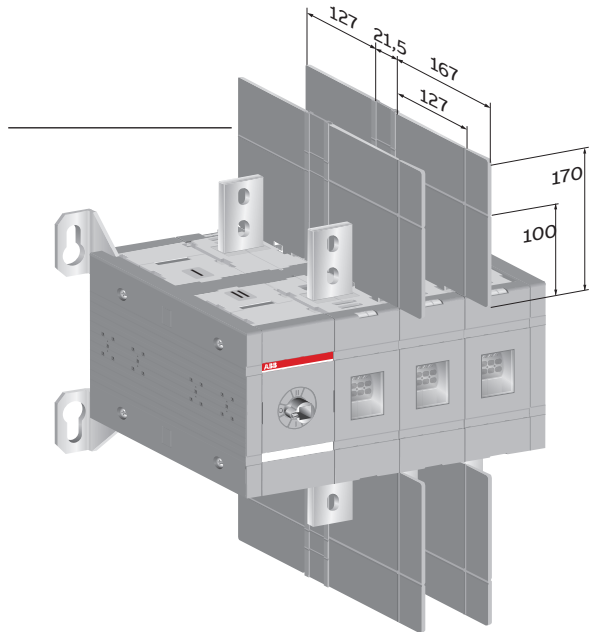
OTB_

Phase barrier type 68912 on:
 OT800-1200U_C_
 OT1000-1600E_C_
 OT2000-2500E_C_

Phase barriers 68912 must be used on OT1000-2500E_C if the voltage is > 415 V.

Phase barriers 68912 or shrouds must be used to maintain a clearance of 1 inch on the manual change-over and transfer switches types OT800U_C and OT1200U_C, if lugs are wider than 54 mm/2.13 in.

Type for package of 6 barriers is OTB1600/6C.

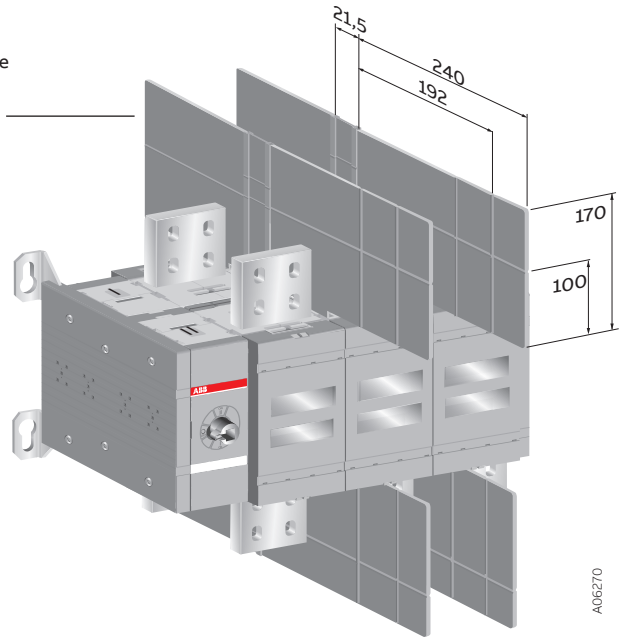


Phase barriers

OTB_

Phase barriers CXBY69470 must be used on OT3200E_C.

Type for package of 6 barriers is OTB4000/6C.



A06270



BG	Внимание! Опасно напряжение! Да се монтира само от лице с електротехническа квалификация.
CN	警告！电压危险！只能由专业电工进行安装。
CZ	Varování! Nebezpečné napětí! Montáž smí provádět výhradně elektrotechnik!
DA	Advarsel! Farlig elektrisk spænding! Installation må kun foretages af personer med elektroteknisk ekspertise.
DE	Warnung! Gefährliche Spannung! Installation nur durch elektrotechnische Fachkraft.
EL	Προειδοποίηση! Υψηλή τάση! Η εγκατάσταση πρέπει να γίνεται μόνο από εξειδικευμένους ηλεκτροτεχνικούς.
EN	Warning! Hazardous voltage! Installation by person with electrotechnical expertise only.
ES	¡Advertencia! ¡Tensión peligrosa! La instalación deberá ser realizada únicamente por electricistas especializados.
ET	Hoiatus! Ohtlik pinge. Paigaldada võib ainult elektrotehnika-alane ekspert.
FI	Varoitus! Vaarallinen jännite! Asennuksen voi tehdä vain sähköalan ammattihenkilö.
FR	Avertissement! Tension électrique dangereuse! Installation uniquement par des personnes qualifiées en électrotechnique.
HR	Upozorenje! Opasan napon! Postavljati smije samo elektrotehnički stručnjak.
HU	Figyelmeztetés! Veszélyes feszültség! Csak elektrotechnikai tapasztalattal rendelkező szakember helyezheti üzembe.
IE	Rabhadh! Voltas guaiseach! Ba chóir do dhuine ag a bhfuil saineolas leictriteicniúil, agus an té sin amháin, é seo a shuiteáil.
IT	Avvertenza! Tensione pericolosa! Fare installare solo da un elettricista qualificato.
LT	Dėmesio! Pavojinga įtampa! Dirbti leidžiama tik elektrotechniko patirties turintiems asmenims.
LV	Uzmanību! Bīstami - elektrība! Montāžas darbus drīkst veikt tikai personas, kurām ir atbilstošas elektrotehnikās zināšanas.
MT	Twissija! Vultagg perikoluż! Ghandu jigi installat biss minn persuna b'kompetenza elettroteknika.
NL	Waarschuwing! Gevaarlijke spanning! Mag alleen geïnstalleerd worden door een deskundige elektrotechnicus.
NO	Advarsel! Farlig spenning! Montering skal kun utføres av kvalifiserte personer med elektrokompetanse.
PL	Ostrzeżenie! Niebezpieczne napięcie! Instalacji może dokonać wyłącznie osoba z fachową wiedzą w dziedzinie elektrotechniki.
PT	Aviso! Tensão perigosa! A instalação só deve ser realizada por um electricista especializado.
RO	Avertizare! Tensiune periculoasă! Instalarea trebuie efectuată numai de către o persoană cu experiență în electrotehnică.
RU	Осторожно! Опасное напряжение! Монтаж должен выполняться только специалистом-электриком.
SE	Varning! Farlig spänning! Installation får endast utföras av en elektriker.
SK	Varovanie! Nebezpečné napätie! Montáž môže vykonávať iba skúsený elektrotechnik.
SL	Opozorilo! Nevarna napetost! Vgradnjo lahko opravi le oseba z elektrotehničnim strokovnim znanjem.



Contact us

ABB Oy

Muottitie 2A 65320

Vaasa, Finland

abb.com/lowvoltage