

**Supply module; with strain relief housing; 5-pole; Cable diameter 9 - 13 mm; Coding P**

Item No.: 772-267



Supply module; with strain relief housing; 5-pole; Cable diameter 9 - 13 mm; Coding P

**Marking**

RoHS ✓  
Compliant

**Business data**

Supplier	WAGO
Item no.	772-267
GTIN / EAN	4045454599515
Content	1
Order amount	10
Customer item number	

**Notes**

All WINSTA® components are 100% protected against mismatching in terms of:a.) plugging different number of polesb.) plugging when turned by 180°c.) plugging when laterally staggeredd.) plugging one pole  
Note on Continuous Service Temperature:-35°C to +85°C  
PVC cable for temperatures 70°C (including halogen-free)  
PVC flat cable for temperatures -15°C to 70°C (including halogen-free)  
Insulating parts for temperatures 105°C

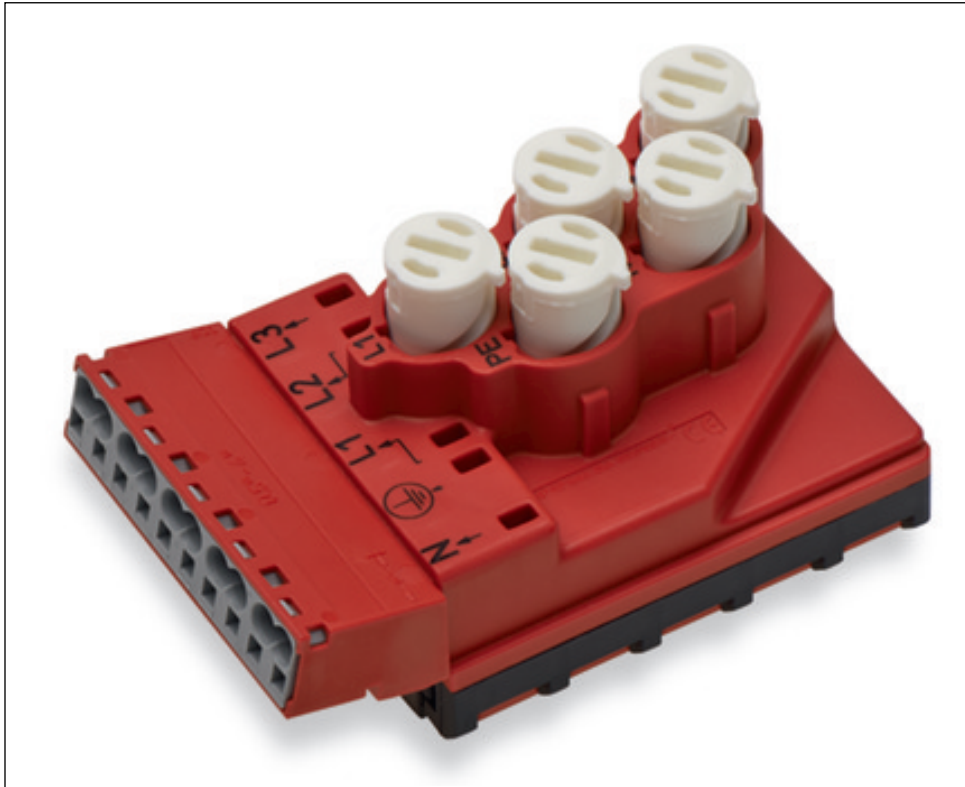
**Technical data**

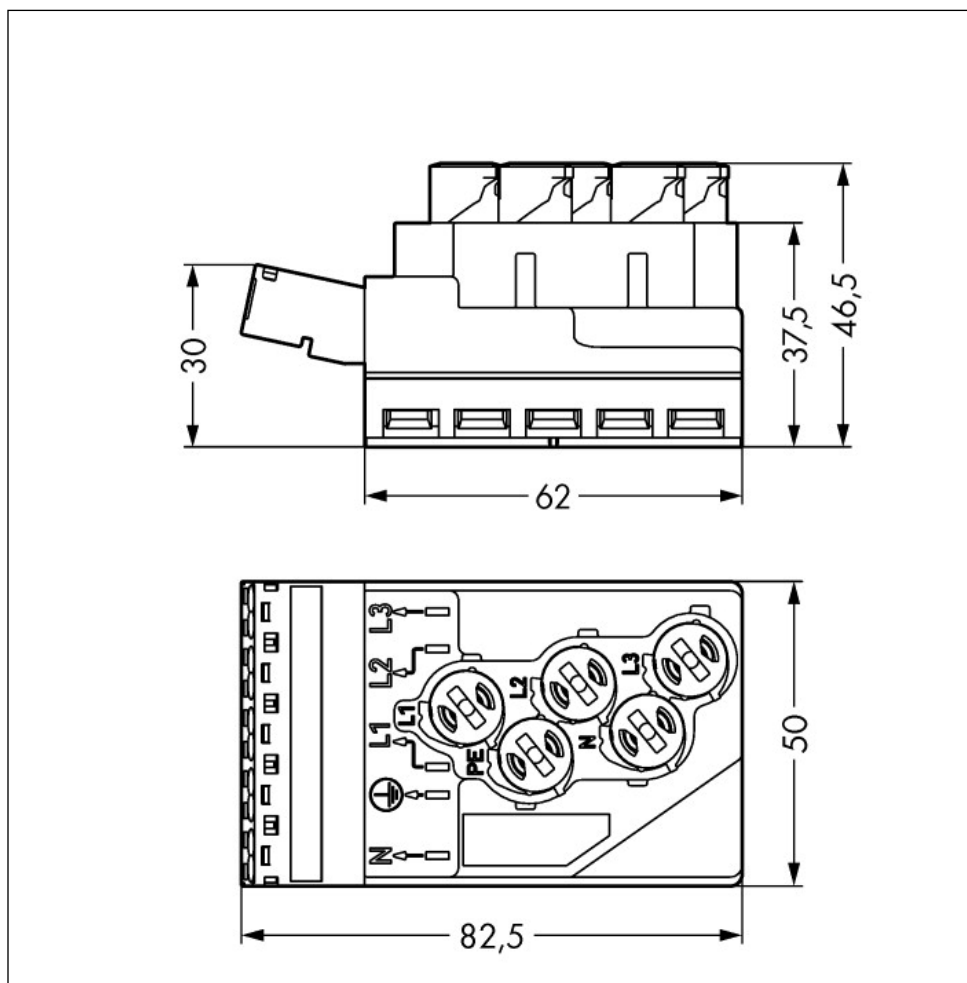
*Miscellaneous*

No. of poles	5
Total number of connection points	10
Total number of potentials	5
Potential marking	N #9178; L1 L2 L3
Color	red
Rated voltage (III / 3) [V]	400 [V]

<b>Technical data</b>	
<i>Rated surge voltage (III / 3) [kV]</i>	6 [kV]
<i>Nominal current [A]</i>	25 [A]
<i>Connection technology</i>	Push-in CAGE CLAMP®
<i>Number of connection points</i>	2
<i>Nominal cross section</i>	4 mm <sup>2</sup>
<i>Solid sizes</i>	0.5 ... 4 mm <sup>2</sup> / 20 ... 12 AWG
<i>solid, directly pluggable</i>	1.5 ... 4 mm <sup>2</sup> / 16 ... 12 AWG
<i>stranded, connectable</i>	0.5 ... 2.5 mm <sup>2</sup> / 20 ... 14 AWG
<i>Fine-stranded wires</i>	0.5 ... 4 mm <sup>2</sup> / 20 ... 12 AWG
<i>Fine-stranded wires with insulated ferrule</i>	0.25 ... 1.5 mm <sup>2</sup> / 20 ... 16 AWG
<i>Fine-stranded wires with uninsulated ferrule</i>	0.25 ... 2.5 mm <sup>2</sup> / 20 ... 14 AWG
<i>min. fine-stranded with insulated ferrule, push-in terminati</i>	1.5 mm <sup>2</sup> / 16 AWG
<i>Strip length</i>	9 mm / 0.35 inch
<i>Connection type 2</i>	Insulation Displacement Connection
<i>Cross section from (2) [mm<sup>2</sup>]</i>	0.5 [mm <sup>2</sup> ]
<i>Cross section up to (2) [mm<sup>2</sup>]</i>	4 [mm <sup>2</sup> ]
<i>Cross section from (2) [AWG]</i>	22 [AWG]
<i>Cross section up to (2) [AWG]</i>	12 [AWG]
<i>Mating force of a plug-in connection</i>	approx. 30–70N (depending on number of poles)
<i>Unmating force of a plug-in connection</i>	when unlocked: approx. 15–20N
<i>Insulating material</i>	Polyamide 66 (PA 66)
<i>Flammability rating per UL 94</i>	V0
<i>Contact material</i>	Copper or copper alloy, surface-treated
<i>Fire load [MJ]</i>	2.221 [MJ]
<i>Weight [g]</i>	94.953 [g]
<i>Width</i>	50 mm / 1.969 inch
<i>Height</i>	46.5 mm / 1.831 inch
<i>Length</i>	82.5 mm / 3.248 inch
<i>Marking</i>	N &#9178; L1 L2 L3

Images & drawings





#### Address

WAGO Kontakttechnik GmbH & Co. KG

Hansastr. 27

32423 Minden

Telefon: 0571/887-0

Fax: 0571/887-169

<http://www.wago.com>

© WAGO Kontakttechnik GmbH & Co. KG

Technische Änderungen und Irrtümer vorbehalten.