








Withdrawable drive for contactors 3RT105, 3RT145 AC (50...60 Hz) / DC operation, 23 ... 26 V Operating mechanism: Standard,economy circuit Screw terminal

product brand name	SIRIUS	
product category	Solenoid coils	
product designation	Changeover operating mechanism	
product type designation	3RT19	
<b>General technical data</b>		
Substance Prohibitation (Date)	05/01/2012	
Net Weight	0.587 kg	
type of voltage of the control supply voltage	AC/DC	
control supply voltage 1 at AC		
• at 50 Hz	23 ... 26 V	
• at 60 Hz	23 ... 26 V	
control supply voltage 2 at AC		
• at 50 Hz rated value	26 V	
• at 60 Hz rated value	26 V	
control supply voltage 1 at DC	23 ... 26 V	
control supply voltage 2 at DC rated value	26 V	
apparent pick-up power of magnet coil at AC		
• at 50 Hz	300 VA	
• at 60 Hz	300 VA	
inductive power factor with closing power of the coil		
• at 50 Hz	0.9	
• at 60 Hz	0.9	
apparent holding power of magnet coil at AC		
• at 50 Hz	5.8 VA	
• at 60 Hz	5.8 VA	
inductive power factor with the holding power of the coil		
• at 50 Hz	0.8	
• at 60 Hz	0.8	
<b>Approvals Certificates</b>		
Environment	General Product Approval	EMV
<a href="#">Environmental Conformations</a>	 EG-Konf.	
	 UL	
		 RCM
Test Certificates	Maritime application	other



other

Railway

[Confirmation](#)

[Miscellaneous](#)

[Special Test Certificate](#)

#### Further information

Information on the packaging

<https://support.industry.siemens.com/cs/ww/en/view/109813875>

Information for data generation and storage

<https://support.industry.siemens.com/cs/ww/en/view/109995012>

Information- and Downloadcenter (Catalogs, Brochures,...)

<https://www.siemens.com/ic10>

Industry Mall (Online ordering system)

<https://mall.industry.siemens.com/mall/en/en/Catalog/product?mlfb=3RT1955-5AB31>

Cax online generator

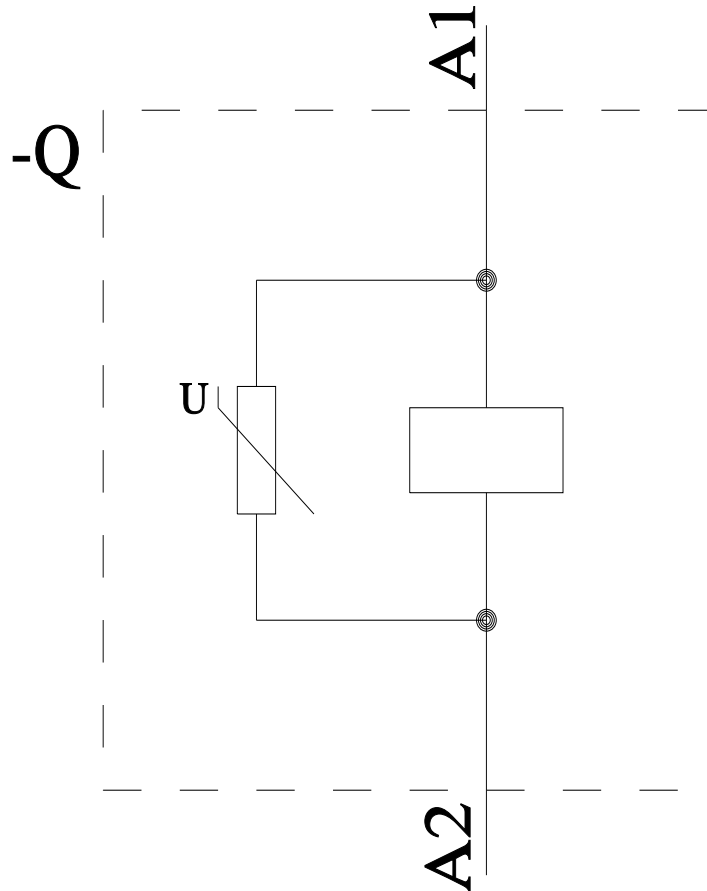
<https://support.automation.siemens.com/WW/CAXorder/default.aspx?lang=en&mlfb=3RT1955-5AB31>

Service&Support (Manuals, Certificates, Characteristics, FAQs,...)

<https://support.industry.siemens.com/cs/ww/en/ps/3RT1955-5AB31>

Image database (product images, 2D dimension drawings, 3D models, device circuit diagrams, EPLAN macros, ...)

[https://www.automation.siemens.com/bilddb/cax\\_de.aspx?mlfb=3RT1955-5AB31&lang=en](https://www.automation.siemens.com/bilddb/cax_de.aspx?mlfb=3RT1955-5AB31&lang=en)



last modified:

4/2/2025