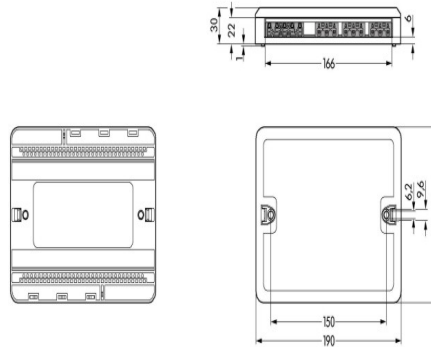

Item no.: 770-631
Product description: DISTRIBUTOR BOX; BASE TYPE 1; ARRANGED FOR ASSEMBLY WITH 3-/4- AND 5-POLE SOCKET/PLUG; 100% PROTECTED AGAINST MISMATING; CAGE CLAMP®S CONNECTION



Packing unit 1 piece

Product group	20 (WINSTA)
Weight	193 g
Color	black
Height	30 mm
Height	1,181 in
Width	190 mm
Width	7,48 in
Depth	145 mm
Depth	5,709 in



Item number	Admission office	Approval no.	Voltage [V]	Current [A]	Cross section [mm ²]
770-631	cURus	E45171	600	20	12

Sorting criteria: admission office - approval number

© WAGO Kontakttechnik GmbH & Co. KG

Specifications are subject to changes and errors may be expected