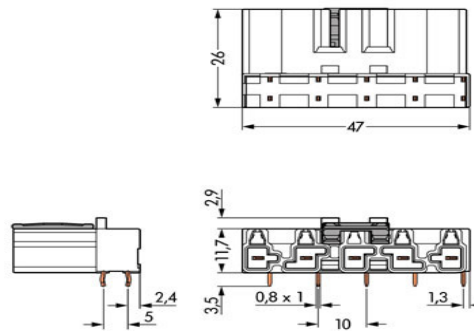


Item no.: 770-835/011-000  
 Product description: PLUG; FOR PRINTED CIRCUIT BOARD; 5 POLE; ANGLED TYPE; PIN SPACING 10 MM / 0.394 IN; 100% PROTECTED AGAINST MISMATING



Packing unit 50 pieces

Product group	20 (WINSTA)
pole count	5
Measured voltage EN	400 V
Measured shock voltage	6 kV
Pollution degree	3
Current intensity EN	25 A
Weight	10,648 g
Color	white
No. of potentials	5
Height	11,7 mm
Height	0,461 in
Width	47 mm
Width	1,85 in
Depth	26 mm
Depth	1,024 in



Item number	Admission office	Approval no.	Voltage [V]	Current [A]	Cross section [ mm <sup>2</sup> ]
770-835/011-000	CCA	NL5568	400	25	0,5-4,0
770-835/011-000	cURus	E45171	600	20	12
770-835/011-000	KEMA	2060958.03	400	25	0,5-4,0
770-835/011-000	PRS	TE/1719/880590/08	400	25	0,5-4,0

Sorting criteria: admission office - approval number

© WAGO Kontakttechnik GmbH & Co. KG

Specifications are subject to changes and errors may be expected