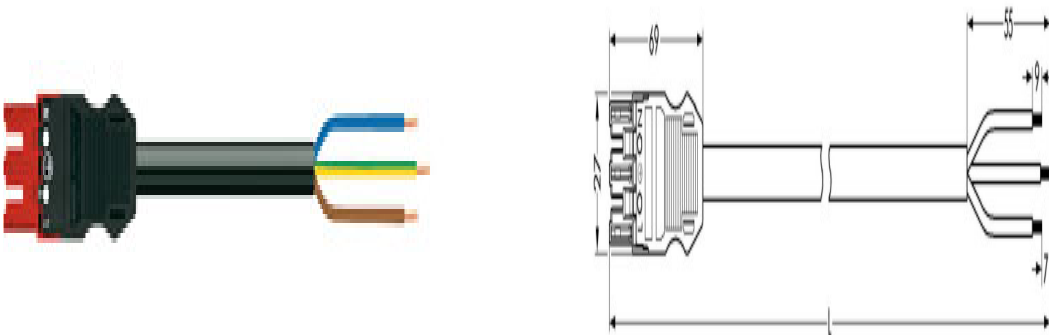

Item no.: 771-9973/107-701
Product description: CONNECTION WIRE; SOCKET - OPEN END; 3 POLE; 7 m;
Coding P; made of PVC



Packing unit 10 pieces

pole count	3
Cross section to [mm ²]	2,5 mm ²
Cross section to [AWG]	14 AWG
Number of strands	3
Measured voltage EN	250 V
Measured shock voltage	4 kV
Pollution degree	3
Current intensity EN	20 A
Weight	1132,384 g
Color	black

© WAGO Kontakttechnik GmbH & Co. KG

Specifications are subject to changes and errors may be expected