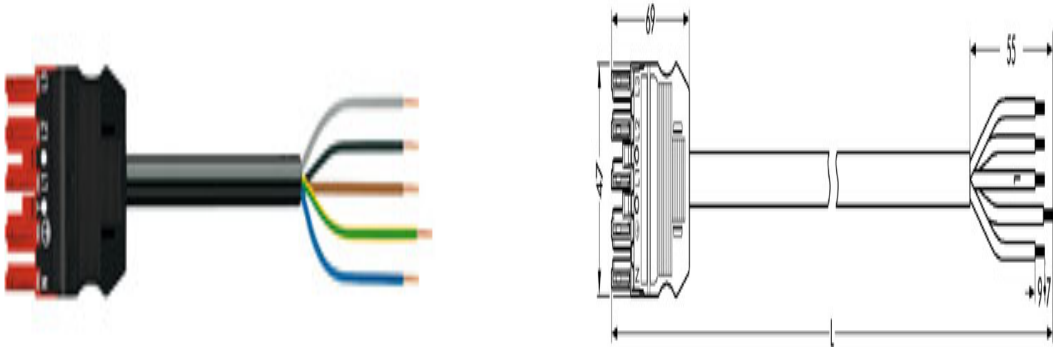


---

Item no.: 771-9975/106-101  
Product description: CONNECTION WIRE; SOCKET - OPEN END; 5 POLE; 1 M;  
Coding P; made of PVC

---



Packing unit 50 pieces

pole count	5
Cross section to [mm <sup>2</sup> ]	1,5 mm <sup>2</sup>
Cross section to [AWG]	16 AWG
Number of strands	5
Measured voltage EN	400 V
Measured shock voltage	6 kV
Pollution degree	3
Current intensity EN	16 A
Weight	183,231 g
Color	black

© WAGO Kontakttechnik GmbH & Co. KG

Specifications are subject to changes and errors may be expected