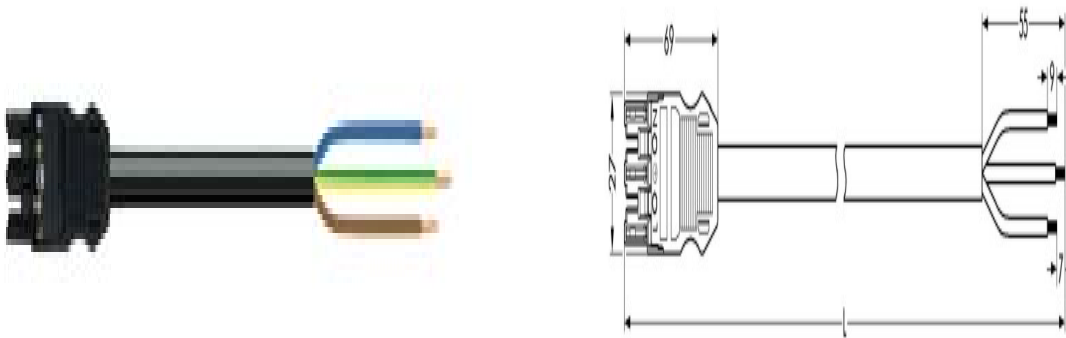

Item no.: 771-9993/107-501
Product description: CONNECTION WIRE; SOCKET - OPEN END; 3 POLE; 5 M;
CODING A; made of PVC



Packing unit 1 piece

Product group	20 (WINSTA)
pole count	3
Cross section to [mm ²]	2,5 mm ²
Cross section to [AWG]	14 AWG
Number of strands	3
Measured voltage EN	250 V
Measured shock voltage	4 kV
Pollution degree	3
Current intensity EN	16 A
Weight	811,384 g
Color	black



Item number	Admission office	Approval no.	Voltage [V]	Current [A]	Cross section [mm ²]
771-9993/107-501	CCA	5571	250	20	2,5
771-9993/107-501	DNV	E-6541	250	20	2,5
771-9993/107-501	GL	42875-02HH	250	20	2,5
771-9993/107-501	KEMA	2060958.06	250	20	2,5
771-9993/107-501	LR	02/20050(E1)	250	20	2,5
771-9993/107-501	PRS	TE/1719/880590/08	250	20	2,5

Sorting criteria: admission office - approval number

© WAGO Kontakttechnik GmbH & Co. KG

Specifications are subject to changes and errors may be expected