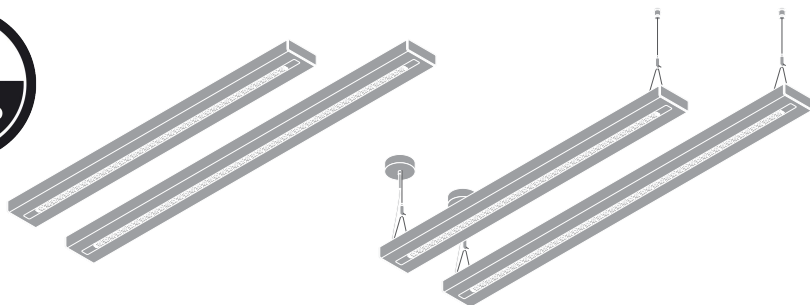


LINEAR INDIVILED® DIRECT DALI
LINEAR INDIVILED® DIRECT DALI ASYMMETRIC
LINEAR INDIVILED® DIRECT/INDIRECT DALI

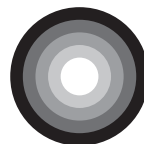
LEDVANCE




	EAN	l x w x h [mm]	K	IP	IK	°(°C)
LN INV D 1200 P 40W 930 DAVR WT	4099854135712	1210x125x43	3000	20	06	-20...+50
LN INV D 1200 P 40W 930 DAVR BK	4099854296680	1210x125x43	3000	20	06	-20...+50
LN INV D 1200 P 40W 940 DAVR WT	4099854135736	1210x125x43	4000	20	06	-20...+50
LN INV D 1200 P 40W 940 DAVR BK	4099854296727	1210x125x43	4000	20	06	-20...+50
LN INV D 1200 P 40W 930 DA ASY WT	4099854135965	1210x125x43	3000	20	06	-20...+50
LN INV D 1200 P 40W 930 DA ASY BK	4099854591655	1210x125x43	3000	20	06	-20...+50
LN INV D 1200 P 40W 940 DA ASY WT	4099854135989	1210x125x43	4000	20	06	-20...+50
LN INV D 1200 P 40W 940 DA ASY BK	4099854591679	1210x125x43	4000	20	06	-20...+50
LN INV DI 1200 P 54W 930 DAVR WT	4099854135552	1210x125x43	3000	20	06	-20...+50
LN INV DI 1200 P 54W 930 DAVR BK	4099854296840	1210x125x43	3000	20	06	-20...+50
LN INV DI 1200 P 54W 940 DAVR WT	4099854135576	1210x125x43	4000	20	06	-20...+50
LN INV DI 1200 P 54W 940 DAVR BK	4099854296864	1210x125x43	4000	20	06	-20...+50
LN INV D 1500 P 52W 930 DAVR WT	4099854136047	1475x125x43	3000	20	06	-20...+50
LN INV D 1500 P 52W 930 DAVR BK	4099854296765	1475x125x43	3000	20	06	-20...+50
LN INV D 1500 P 52W 940 DAVR WT	4099854136061	1475x125x43	4000	20	06	-20...+50
LN INV D 1500 P 52W 940 DAVR BK	4099854296802	1475x125x43	4000	20	06	-20...+50
LN INV DI 1500 P 69W 930 DAVR WT	4099854135637	1475x125x43	3000	20	06	-20...+50
LN INV DI 1500 P 69W 930 DAVR BK	4099854296925	1475x125x43	3000	20	06	-20...+50
LN INV DI 1500 P 69W 940 DAVR WT	4099854135651	1475x125x43	4000	20	06	-20...+50
LN INV DI 1500 P 69W 940 DAVR BK	4099854296963	1475x125x43	4000	20	06	-20...+50

	EAN	V _{AC}	Hz	∇	PF	R _a	⚖
LN INV D 1200 P 40W 930 DAVR WT	4099854135712	220-240V	50/60	90°	> 0.9	≥90	3.2kg
LN INV D 1200 P 40W 930 DAVR BK	4099854296680	220-240V	50/60	90°	> 0.9	≥90	3.2kg
LN INV D 1200 P 40W 940 DAVR WT	4099854135736	220-240V	50/60	90°	> 0.9	≥90	3.2kg
LN INV D 1200 P 40W 940 DAVR BK	4099854296727	220-240V	50/60	90°	> 0.9	≥90	3.2kg
LN INV D 1200 P 40W 930 DA ASY WT	4099854135965	220-240V	0/50/60	55°x55°	> 0.9	≥90	3.3kg
LN INV D 1200 P 40W 930 DA ASY BK	4099854591655	220-240V	0/50/60	55°x55°	> 0.9	≥90	3.3kg
LN INV D 1200 P 40W 940 DA ASY WT	4099854135989	220-240V	0/50/60	55°x55°	> 0.9	≥90	3.3kg
LN INV D 1200 P 40W 940 DA ASY BK	4099854591679	220-240V	0/50/60	55°x55°	> 0.9	≥90	3.3kg
LN INV DI 1200 P 54W 930 DAVR WT	4099854135552	220-240V	50/60	90° + 130°	> 0.9	≥90	3.5kg
LN INV DI 1200 P 54W 930 DAVR BK	4099854296840	220-240V	50/60	90° + 130°	> 0.9	≥90	3.5kg
LN INV DI 1200 P 54W 940 DAVR WT	4099854135576	220-240V	50/60	90° + 130°	> 0.9	≥90	3.5kg
LN INV DI 1200 P 54W 940 DAVR BK	4099854296864	220-240V	50/60	90° + 130°	> 0.9	≥90	3.5kg
LN INV D 1500 P 52W 930 DAVR WT	4099854136047	220-240V	50/60	90°	> 0.9	≥90	3.8kg
LN INV D 1500 P 52W 930 DAVR BK	4099854296765	220-240V	50/60	90°	> 0.9	≥90	3.8kg
LN INV D 1500 P 52W 940 DAVR WT	4099854136061	220-240V	50/60	90°	> 0.9	≥90	3.8kg
LN INV D 1500 P 52W 940 DAVR BK	4099854296802	220-240V	50/60	90°	> 0.9	≥90	3.8kg
LN INV DI 1500 P 69W 930 DAVR WT	4099854135637	220-240V	50/60	90° + 130°	> 0.9	≥90	4.1kg
LN INV DI 1500 P 69W 930 DAVR BK	4099854296925	220-240V	50/60	90° + 130°	> 0.9	≥90	4.1kg
LN INV DI 1500 P 69W 940 DAVR WT	4099854135651	220-240V	50/60	90° + 130°	> 0.9	≥90	4.1kg
LN INV DI 1500 P 69W 940 DAVR BK	4099854296963	220-240V	50/60	90° + 130°	> 0.9	≥90	4.1kg

LINEAR INDIVILED® DIRECT DALI
LINEAR INDIVILED® DIRECT DALI ASYMMETRIC
LINEAR INDIVILED® DIRECT /INDIRECT DALI




Drivers¹⁾ - Linear IndiviLED Direct Dali

LINEAR IndiviLED® DIRECT DALI	Driver	mA	W	lm	lm/W	NFC 
LN INV D 1200 P 40W 930 DAVR WT	OSRAM OTi DALI 50/ 220-240/1A4 NFC L	500	25	3100	124	✓
		600	30	3700	123	✓
		700	34	4250	125	✓
		800	40	4800	120	Preset
LN INV D 1200 P 40W 930 DAVR BK	OSRAM OTi DALI 50/ 220-240/1A4 NFC L	500	25	3000	120	✓
		600	30	3600	120	✓
		700	34	4150	122	✓
		800	40	4650	116	Preset
LN INV D 1200 P 40W 940 DAVR WT	OSRAM OTi DALI 50/ 220-240/1A4 NFC L	500	25	3250	130	✓
		600	30	3850	128	✓
		700	34	4450	131	✓
		800	40	5050	126	Preset
LN INV D 1200 P 40W 940 DAVR BK	OSRAM OTi DALI 50/ 220-240/1A4 NFC L	500	25	3150	126	✓
		600	30	3750	125	✓
		700	34	4300	126	✓
		800	40	4900	123	Preset
LN INV D 1200 P 40W 930 DA ASY WT	OSRAM OTi DALI 50/ 220-240/1A4 NFC L	500	25	2850	114	✓
		600	30	3400	113	✓
		700	35	3900	111	✓
		800	40	4350	109	Preset
LN INV D 1200 P 40W 930 DA ASY BK	OSRAM OTi DALI 50/ 220-240/1A4 NFC L	500	25	2600	104	✓
		600	30	3050	102	✓
		700	35	3350	96	✓
		800	40	3950	99	Preset
LN INV D 1200 P 40W 940 DA ASY WT	OSRAM OTi DALI 50/ 220-240/1A4 NFC L	500	25	2900	116	✓
		600	30	3500	117	✓
		700	35	4000	114	✓
		800	40	4400	110	Preset
LN INV D 1200 P 40W 940 DA ASY BK	OSRAM OTi DALI 50/ 220-240/1A4 NFC L	500	25	2650	106	✓
		600	30	3100	103	✓
		700	35	3600	103	✓
		800	40	4000	100	Preset
LN INV D 1500 P 52W 930 DAVR WT	OSRAM OTi DALI 50/ 220-240/1A4 NFC L	800	39	4850	124	✓
		900	44	5400	123	✓
		975	48	5600	117	✓
		1050	52	6100	117	Preset
LN INV D 1500 P 52W 930 DAVR BK	OSRAM OTi DALI 50/ 220-240/1A4 NFC L	800	39	4700	121	✓
		900	44	5250	119	✓
		975	48	5450	114	✓
		1050	52	5950	114	Preset
LN INV D 1500 P 52W 940 DAVR WT	OSRAM OTi DALI 50/ 220-240/1A4 NFC L	800	39	5250	135	✓
		900	44	5850	133	✓
		975	48	6000	125	✓
		1050	52	6400	123	Preset
LN INV D 1500 P 52W 940 DAVR BK	OSRAM OTi DALI 50/ 220-240/1A4 NFC L	800	39	5100	131	✓
		900	44	5700	130	✓
		975	48	5850	122	✓
		1050	52	6250	120	Preset

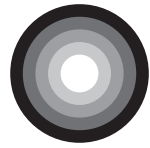
LINEAR INDIVILED® DIRECT DALI
LINEAR INDIVILED® DIRECT DALI ASYMMETRIC
LINEAR INDIVILED® DIRECT/INDIRECT DALI



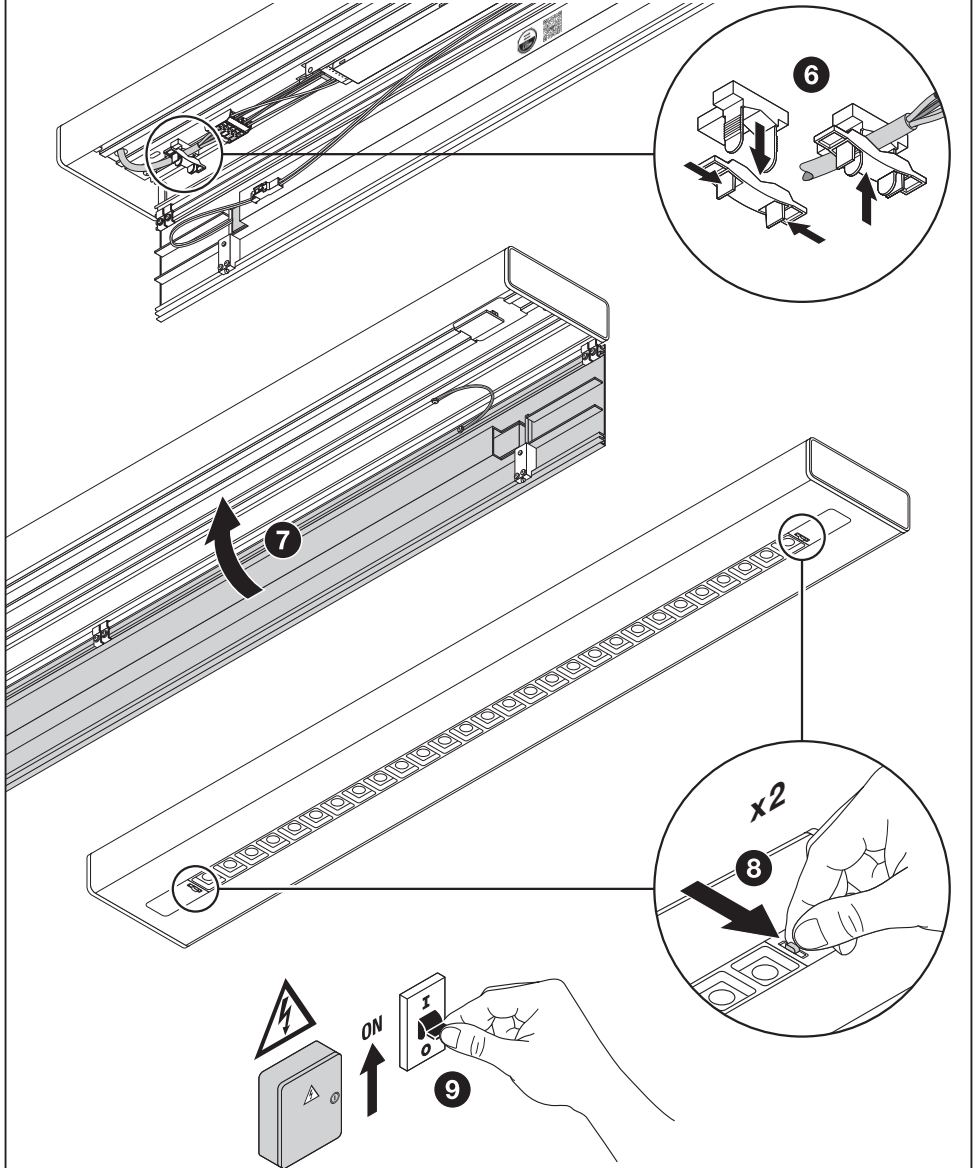
Drivers¹⁾ - Linear IndiviLED Direct / Indirect Dali

LINEAR IndiviLED® DIR/IND DALI	Driver	Direct			Indirect			Combined				NFC 	DALI Magic
		mA	W	lm	mA	W	lm	mA	W	lm	lm/W		
LN INV DI 1200 P 54W 930 DAVR WT	OSRAM OTi DALI 50/ 220-240/ 1A4 NFC L	467	22	2900	233	12	1450	700	34	4350	128	✓	-
		567	28	3450	283	15	1750	850	43	5200	121	✓	-
		634	32	3800	316	16	1950	950	48	5750	120	✓	-
		734	36	4300	366	18	2200	1100	54	6500	120	Preset	-
LN INV DI 1200 P 54W 930 DAVR BK	OSRAM OTi DALI 50/ 220-240/ 1A4 NFC L	467	22	2800	233	12	1450	700	34	4250	125	✓	-
		567	28	3350	283	15	1750	850	43	5100	119	✓	-
		634	32	3700	316	16	1950	950	48	5650	118	✓	-
		734	36	4200	366	18	2200	1100	54	6400	119	Preset	-
LN INV DI 1200 P 54W 940 DAVR WT	OSRAM OTi DALI 50/ 220-240/ 1A4 NFC L	467	22	3100	233	12	1550	700	34	4650	137	✓	-
		567	28	3700	283	15	1900	850	43	5600	132	✓	-
		634	32	4000	316	16	2050	950	48	6050	126	✓	-
		734	36	4600	366	18	2350	1100	54	6950	129	Preset	-
LN INV DI 1200 P 54W 940 DAVR BK	OSRAM OTi DALI 50/ 220-240/ 1A4 NFC L	467	22	3000	233	12	1550	700	34	4550	134	✓	-
		567	28	3600	283	15	1900	850	43	5500	129	✓	-
		634	32	3900	316	16	2050	950	48	5950	124	✓	-
		734	36	4450	366	18	2350	1100	54	6800	126	Preset	-
LN INV DI 1500 P 69W 930 DAVR WT	OSRAM ETi DALI 75/ 220-240/ 1A4 LT2	734	36	4300	366	18	2350	1100	54	6650	123	-	✓
		800	40	4750	400	20	2550	1200	60	7300	122	-	✓
		867	42	4950	433	21	2700	1300	63	7650	121	-	✓
		934	46	5300	466	23	2850	1400	69	8150	118	-	Preset
LN INV DI 1500 P 69W 930 DAVR BK	OSRAM ETi DALI 75/ 220-240/ 1A4 LT2	734	36	4200	366	18	2350	1100	54	6550	121	-	✓
		800	40	4600	400	20	2550	1200	60	7150	119	-	✓
		867	42	4800	433	21	2700	1300	63	7500	119	-	✓
		934	46	5150	466	23	2850	1400	69	8000	116	-	Preset
LN INV DI 1500 P 69W 940 DAVR WT	OSRAM ETi DALI 75/ 220-240/ 1A4 LT2	734	36	4600	366	18	2450	1100	54	7050	131	-	✓
		800	40	4950	400	20	2650	1200	60	7600	127	-	✓
		867	42	5300	433	21	2850	1300	63	8150	129	-	✓
		934	46	5700	466	23	3000	1400	69	8700	126	-	Preset
LN INV DI 1500 P 69W 940 DAVR BK	OSRAM ETi DALI 75/ 220-240/ 1A4 LT2	734	36	4500	366	18	2450	1100	54	6950	129	-	✓
		800	40	4800	400	20	2650	1200	60	7450	124	-	✓
		867	42	5150	433	21	2850	1300	63	8000	127	-	✓
		934	46	5550	466	23	3000	1400	69	8550	124	-	Preset

LINEAR INDIVILED® DIRECT DALI
LINEAR INDIVILED® DIRECT DALI ASYMMETRIC
LINEAR INDIVILED® DIRECT/INDIRECT DALI



Linear IndiviLED Direct Dali



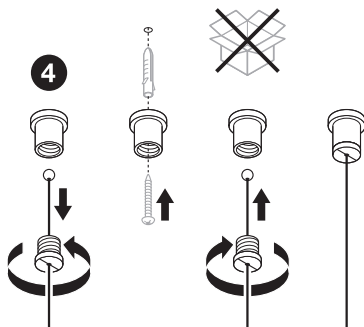
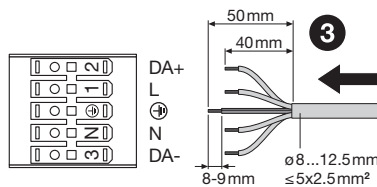
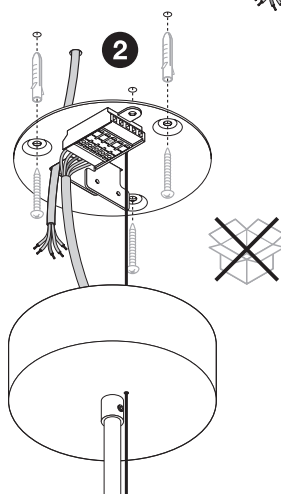
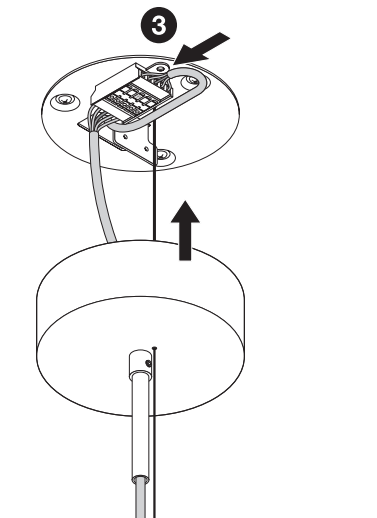
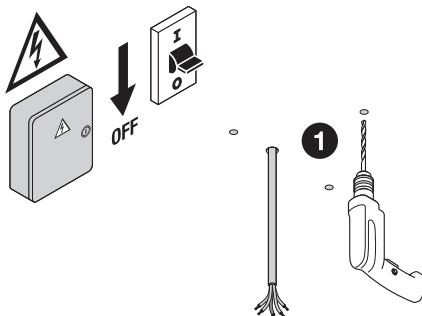
LINEAR INDIVILED® DIRECT DALI
LINEAR INDIVILED® DIRECT DALI ASYMMETRIC
LINEAR INDIVILED® DIRECT/INDIRECT DALI



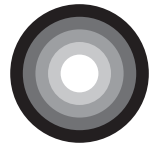
Linear IndiviLED Direct / Indirect Dali

EAN	
LINEAR IndiviLED® SUSPENSION KIT WT	4099854215537
LINEAR IndiviLED® SUSPENSION KIT BK	4099854297069

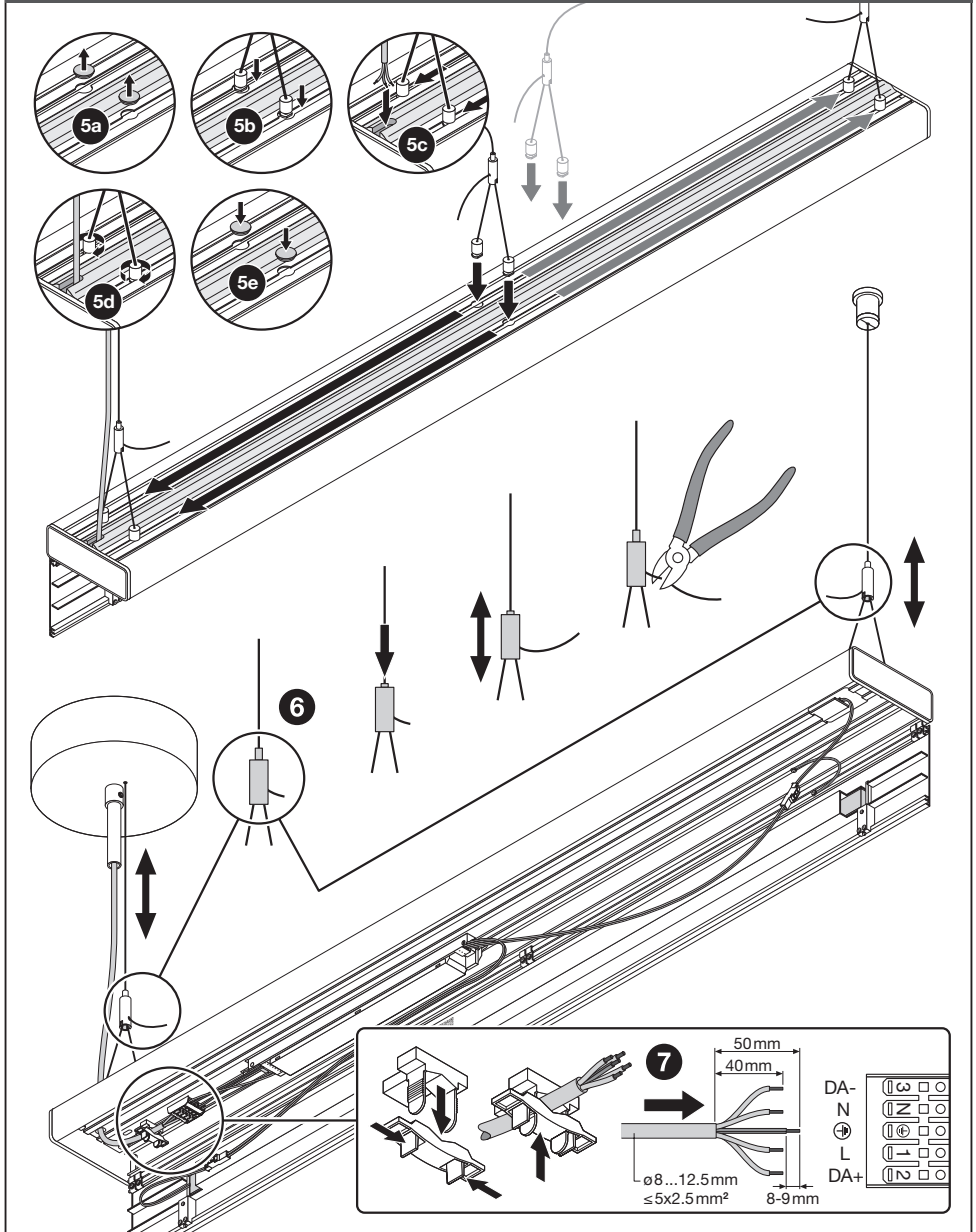
EAN	
LINEAR IndiviLED® SUSPENSION Wire	4099854323980



LINEAR INDIVILED® DIRECT DALI
LINEAR INDIVILED® DIRECT DALI ASYMMETRIC
LINEAR INDIVILED® DIRECT/INDIRECT DALI



Linear IndiviLED Direct / Indirect Dali



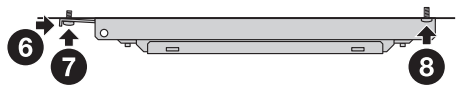
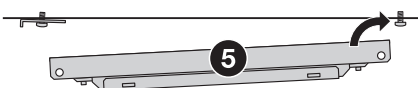
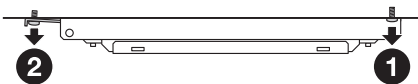
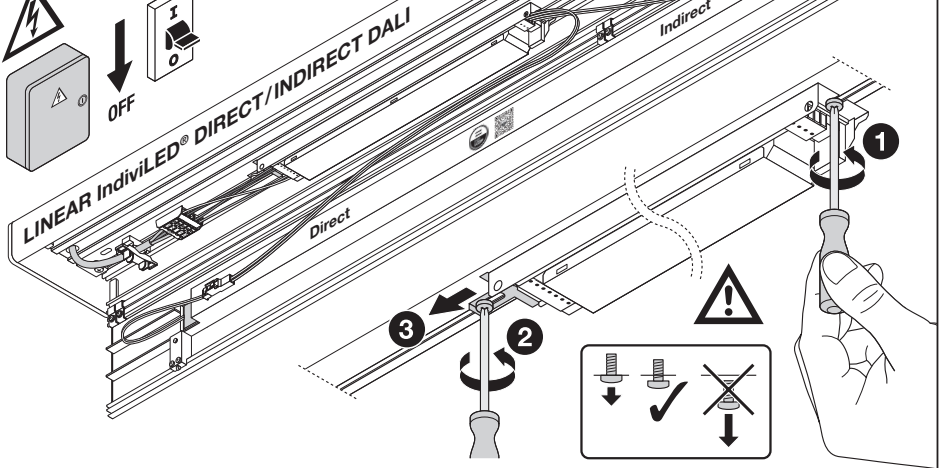
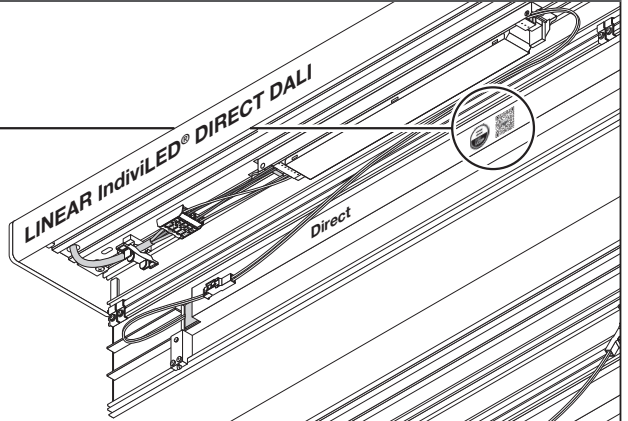
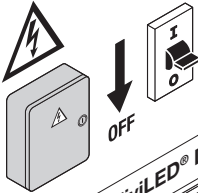
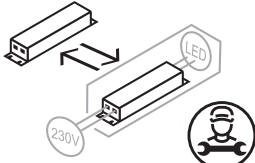
LINEAR INDIVILED® DIRECT DALI
LINEAR INDIVILED® DIRECT DALI ASYMMETRIC
LINEAR INDIVILED® DIRECT/INDIRECT DALI



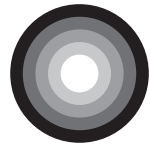
EVERLOOP Drivers¹⁾



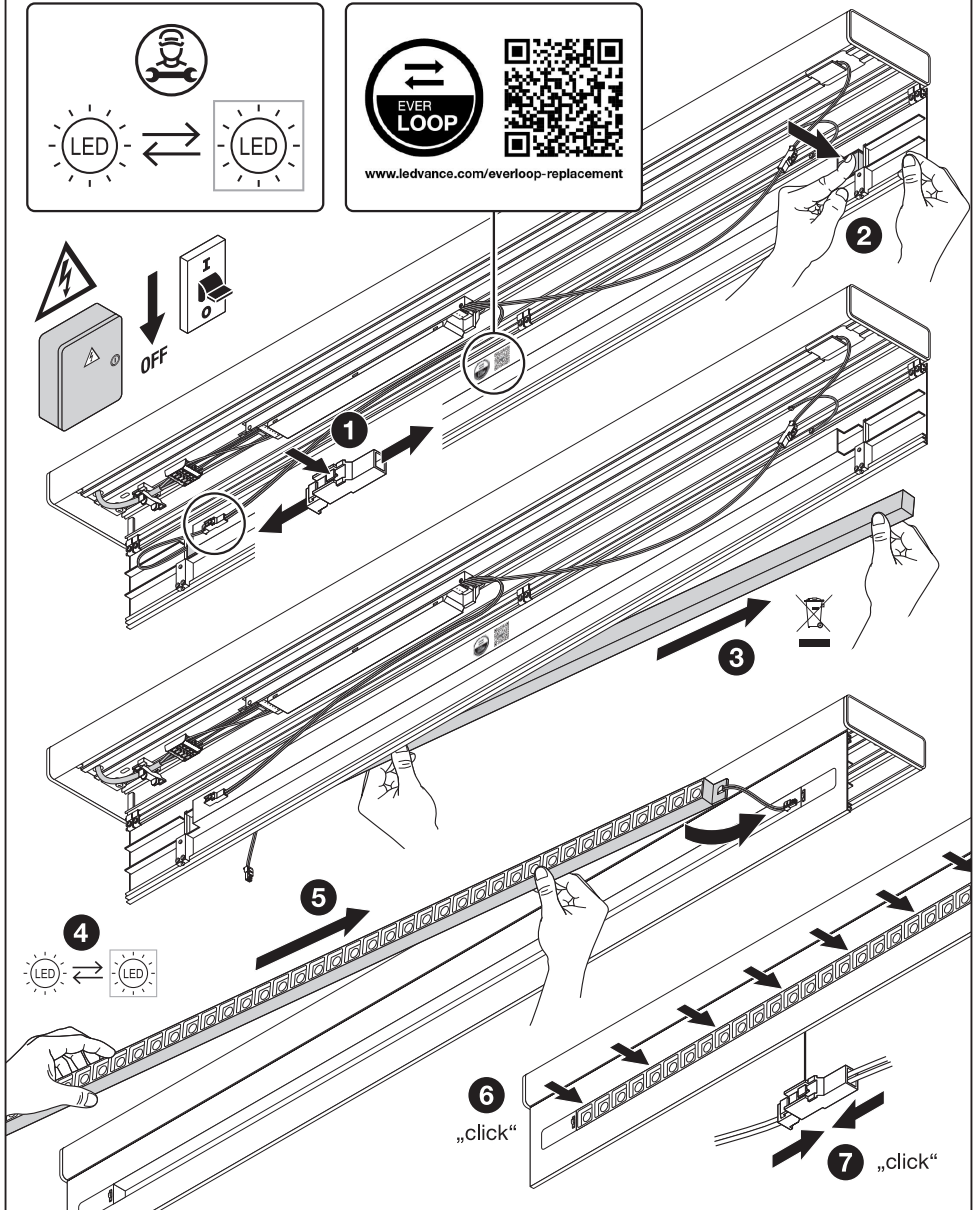
www.ledvance.com/everloop-replacement



LINEAR INDIVILED® DIRECT DALI
LINEAR INDIVILED® DIRECT DALI ASYMMETRIC
LINEAR INDIVILED® DIRECT /INDIRECT DALI



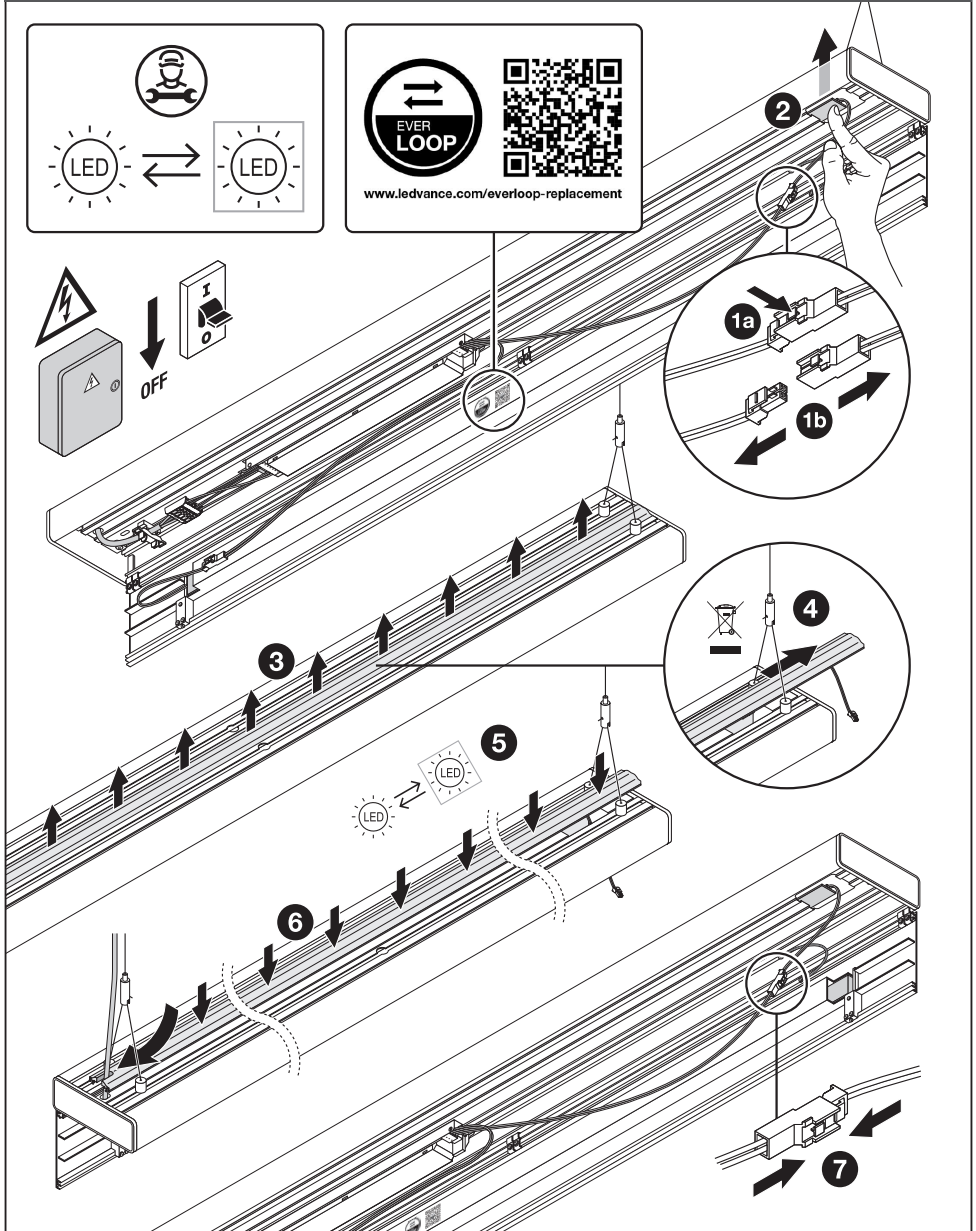
EVERLOOP Light Source Direct²⁾



LINEAR INDIVILED® DIRECT DALI
LINEAR INDIVILED® DIRECT DALI ASYMMETRIC
LINEAR INDIVILED® DIRECT/INDIRECT DALI



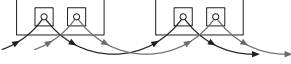



EVERLOOP Light Source Indirect³⁾

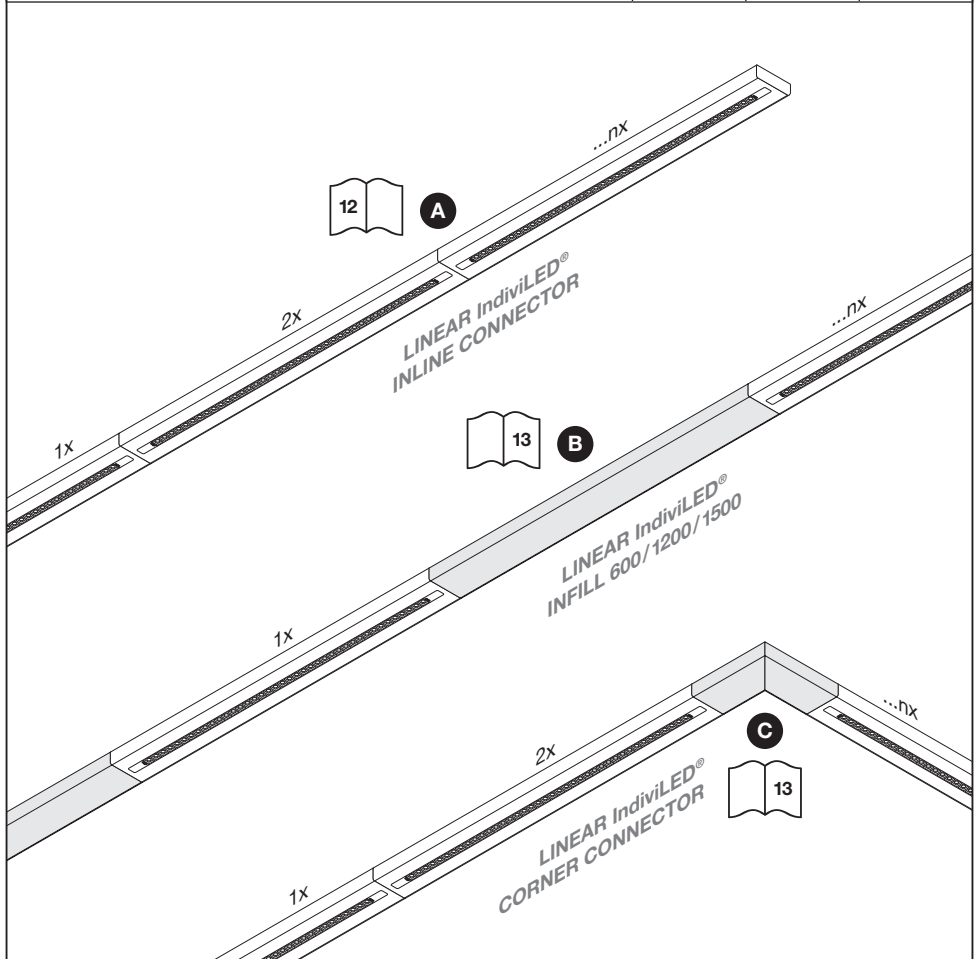


LINEAR INDIVILED® DIRECT DALI
LINEAR INDIVILED® DIRECT DALI ASYMMETRIC
LINEAR INDIVILED® DIRECT / INDIRECT DALI



Multiple Luminaires⁴⁾

	C10 A 	B16 A 	C16 A 
LINEAR InvidiLED Direct 1200 P 40W DALI (Asymmetric)	n ≤ 20	n ≤ 20	n ≤ 32
LINEAR InvidiLED Direct 1500 P 52W DALI	n ≤ 23	n ≤ 29	n ≤ 38
LINEAR InvidiLED Direct / Indirect 1200 P 54W DALI	n ≤ 23	n ≤ 29	n ≤ 38
LINEAR InvidiLED Direct / Indirect 1500 P 69W DALI	n ≤ 20	n ≤ 23	n ≤ 32



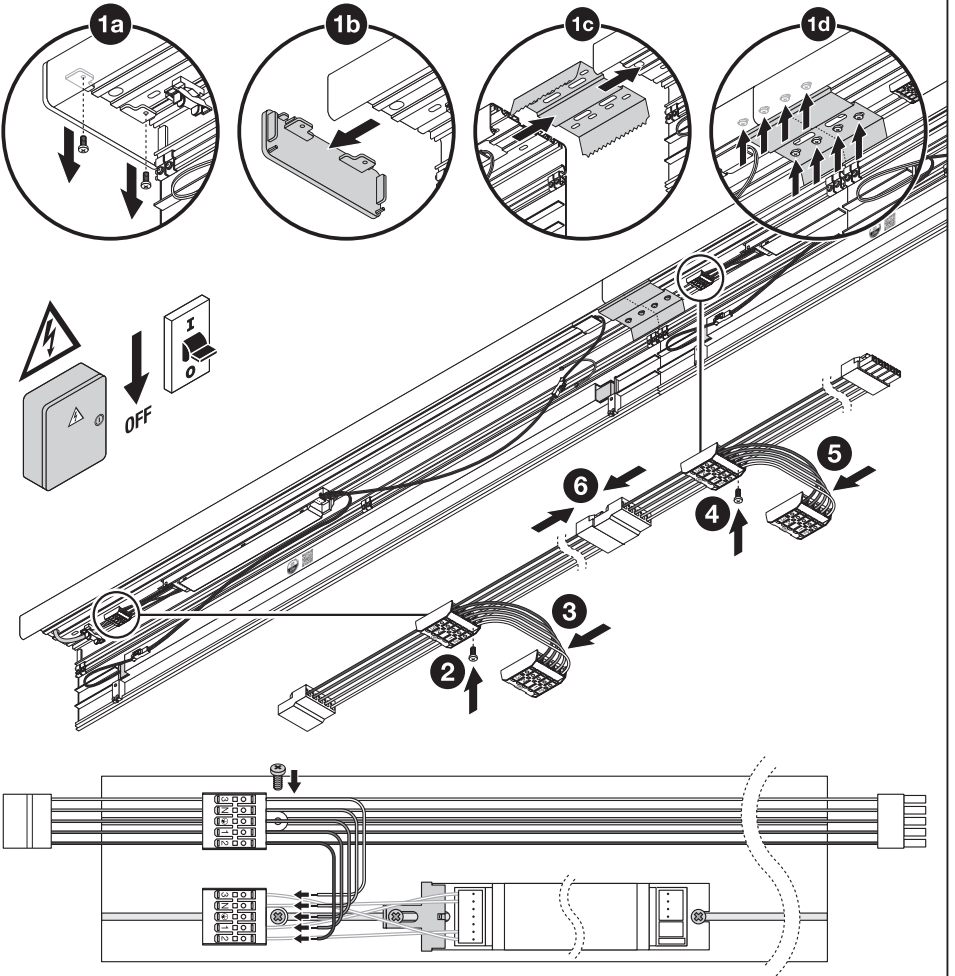
LINEAR INDIVILED® DIRECT DALI
LINEAR INDIVILED® DIRECT DALI ASYMMETRIC
LINEAR INDIVILED® DIRECT/INDIRECT DALI



Multiple Luminaires⁴⁾ - Inline Connector

LINEAR IndiviLED® INLINE CONNECTOR	EAN 4099854215612
---	-----------------------------

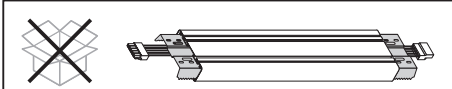
LINEAR IndiviLED® 1200 THROUGHWIRING KIT	EAN 4099854214820
LINEAR IndiviLED® 1500 THROUGHWIRING KIT	EAN 4099854214806



LINEAR INDIVILED® DIRECT DALI
LINEAR INDIVILED® DIRECT DALI ASYMMETRIC
LINEAR INDIVILED® DIRECT / INDIRECT DALI



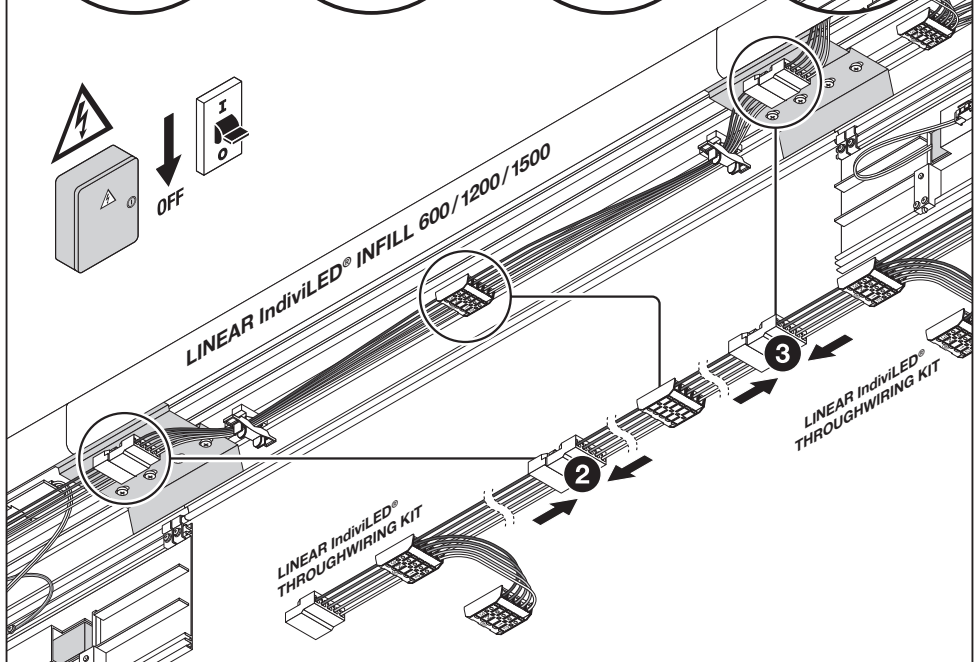
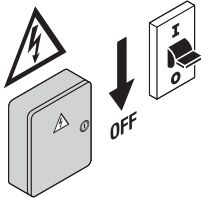
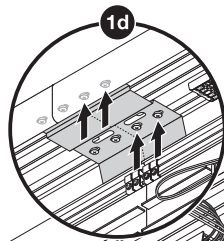
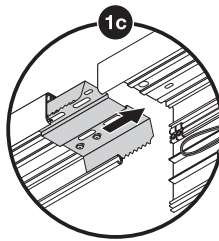
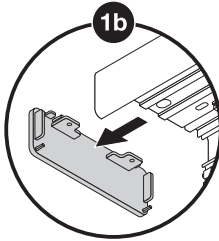
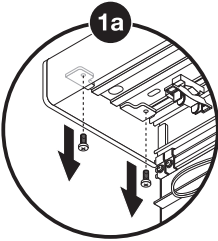
Multiple Luminaires⁴⁾ - Infill / Corner Connector



	EAN
LINEAR IndiviLED® INFILL 600 WT	4099854214882
LINEAR IndiviLED® INFILL 600 BK	4099854297045
LINEAR IndiviLED® INFILL 1200 WT	4099854214868
LINEAR IndiviLED® INFILL 1200 BK	4099854297007
LINEAR IndiviLED® INFILL 1500 WT	4099854214844
LINEAR IndiviLED® INFILL 1500 BK	4099854297021



	EAN
LINEAR IndiviLED® CORNER CONNECTOR WT	4099854308093
LINEAR IndiviLED® CORNER CONNECTOR BK	4099854308079



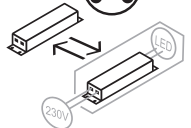
LINEAR INDIVILED® DIRECT DALI

LINEAR INDIVILED® DIRECT DALI ASYMMETRIC

LINEAR INDIVILED® DIRECT/INDIRECT DALI



- GB** 1) Drivers
2) Light source direct
3) Light source indirect
4) Multiple luminaires
- D** 1) Treiber
2) Lichtquelle direkt
3) Lichtquelle indirekt
4) Mehrere Leuchten
- F** 1) Pilotes
2) Source lumineuse directe
3) Source lumineuse indirecte
4) Luminaires multiples
- I** 1) Driver
2) Sorgente luminosa diretta
3) Sorgente luminosa indiretta
4) Apparecchi multipli
- E** 1) Controladores
2) Fuente de luz directa
3) Fuente de luz indirecta
4) Varias luminarias
- P** 1) Drivers
2) Light source diretto
3) Light source indireto
4) Múltiplas luminárias
- GR** 1) Οδηγοί
2) Άμεση πηγή φωτός
3) Έμμεση πηγή φωτός
4) Πολλαπλά φωτιστικά
- NL** 1) Drivers
2) Lichtbron direct
3) Lichtbron indirect
4) Meerdere armaturen
- S** 1) Drivrutiner
2) Ljuskälla direkt
3) Ljuskälla indirekt
4) Flera armaturer
- FIN** 1) Ohjaimet
2) Suora valonlähde
3) Valonlähde epäsuora
4) Useita valaisimia
- N** 1) Driverer
2) Lyskilde direkte
3) Lyskilde indirekte
4) Flere armaturer
- DK** 1) Driverer
2) Lyskilde direkte
3) Lyskilde indirekte
4) Flere armaturer
- CZ** 1) Ovladače
2) Světelný zdroj přímý
3) Světelný zdroj nepřímý
4) Vícenásobná svítidla
- RUS** 1) приводы
2) источник света прямой
3) источник света непрямой
4) несколько светильников
- H** 1) Előtétek
2) Fényforrás, közvetlen
3) Fényforrás, közvetett
4) Többféle lámpatest
- PL** 1) Sterowniki
2) Źródło światła bezpośrednie
3) Źródło światła pośrednie
4) Oprawy wielopunktowe
- SK** 1) Ovládač
2) Lyskilde direkte
3) Lyskilde indirekte
4) Viaceré svietidlá
- SLO** 1) Gonilniki
2) Vir svetlobe direktni
3) Vir svetlobe indirektni
4) Več svetilk
- TR** 1) Sürücüler
2) Işık kaynağı dolaylı bağlantı
3) Işık kaynağı dolaylı
4) Çoklu armatürler
- HR** 1) Upravljački programi
2) Izravan izvor svjetlosti
3) Izvor svjetlosti neizravan
4) Više rasvjetnih tijela
- RO** 1) Unități de acționare
2) Sursă de lumină direct
3) Sursă de lumină indirect
4) Corpuri de iluminat multiple
- BG** 1) Драйвери
2) Пряк източник на светлина
3) Непряк източник на светлина
4) Множество осветителни тела
- EST** 1) Draiverid
2) Otsene valgusallikas
3) Valgusallikas kaudne
4) Mitu valgustit
- LT** 1) Tvaryklės
2) Tiesioginis šviesos šaltinis
3) Šviesos šaltinis netiesioginis
4) Kelios lempos
- LV** 1) Draiveri
2) Gaismas avota tiešais
3) Gaismas avota netiešais
4) Vairāki gaismekļi
- SRB** 1) Drajveri
2) Direktni izvor svetlosti
3) Indirektni izvor svetlosti
4) Više svetiljki
- UA** 1) Драйвери
2) Dzherelo svitla pryame
3) Dzherelo nepryamooho svitla
4) Кілька світильників
- KZ** 1) Драйверлер
2) Жарық көзі тикелей
3) Жарық көзі жанама
4) Бірнеше шамдар



Points de collecte sur www.quefairedemesdechets.fr

C10449060
G11286884

09.04.26

LEDVANCE SASU
CQM, 5 rue d'Altorf
67120 Molsheim France
www.ledvance.com

© LEDVANCE Ltd, Sterling House,
810 Mandarin Court, Warrington,
Cheshire, WA1 1GG, United Kingdom