

CLIP-ON LABEL 5X5MM,

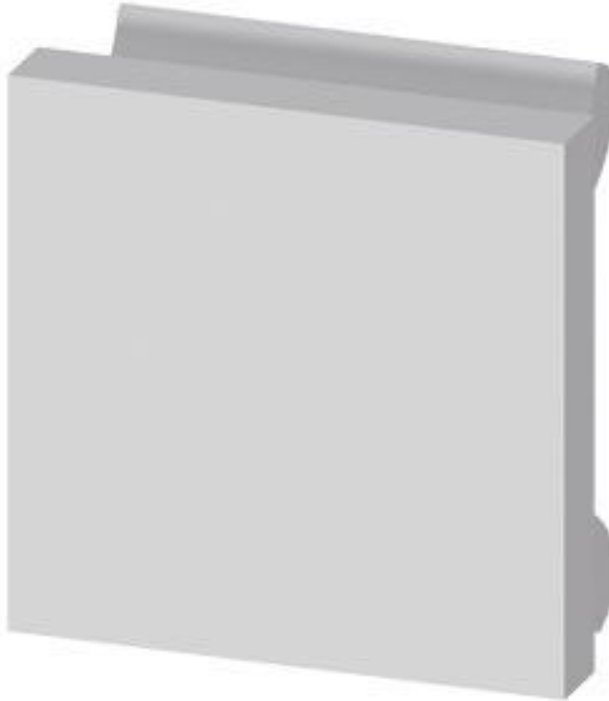


Figure similar

Article number		
Product brand name		SIRIUS
Product category		Clip-on labels
Product designation		Clip-on label
Design of the product		For terminal marking and equipment labeling, white/5 x 5 mm

General technical data

Display version LED		No
Product component		No
<ul style="list-style-type: none"> • semi-conductor output 		No
Equipment marking		
<ul style="list-style-type: none"> • acc. to DIN EN 61346-2 		C
<ul style="list-style-type: none"> • acc. to DIN EN 81346-2 		C
Product component Plug-in socket		No

Connections/Terminals

Product function		
<ul style="list-style-type: none"> • removable terminal 		No

Installation/ mounting/ dimensions

Height	mm	5
Width	mm	5

Ambient conditions

Ambient temperature		
• during operation	°C	-25 ... +60
• during storage	°C	-40 ... +85
• during transport	°C	-40 ... +85

Certificates/approvals

General Product Approval	Declaration of Conformity	Marine / Shipping	other
 CSA	 EG-Konf.	 DNVGL.COM/AF	Confirmation

Further information

Information- and Downloadcenter (Catalogs, Brochures,...)

<http://www.siemens.com/industrial-controls/catalogs>

Industry Mall (Online ordering system)

<https://mall.industry.siemens.com/mall/en/en/Catalog/product?mlfb=3RQ3902-0A>

Cax online generator

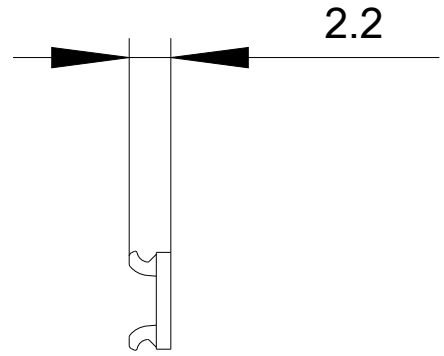
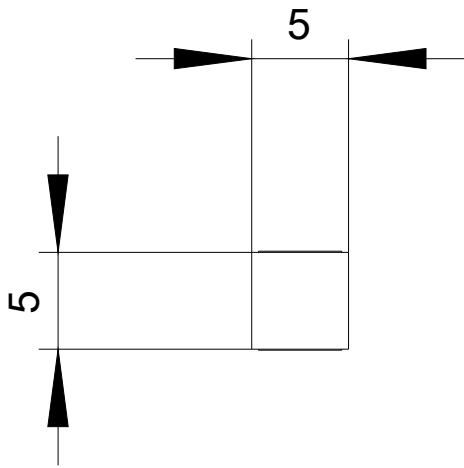
<http://support.automation.siemens.com/WW/CAXorder/default.aspx?lang=en&mlfb=3RQ3902-0A>

Service&Support (Manuals, Certificates, Characteristics, FAQs,...)

<https://support.industry.siemens.com/cs/ww/en/ps/3RQ3902-0A>

Image database (product images, 2D dimension drawings, 3D models, device circuit diagrams, EPLAN macros, ...)

http://www.automation.siemens.com/bilddb/cax_de.aspx?mlfb=3RQ3902-0A&lang=en



last modified:

07/24/2017