



DIAZED FUSE LINK 500V TIME-LAG TNDZ SERIES SIZE DII,  
THREAD E16, 25A

Similar to image

**Technical data:**

<b>Color coding of the fuse link</b>		yellow
<b>Current / for AC / rated value</b>	A	25
<b>Tripping characteristic class</b>		slow acting (T)
<b>Size of the fallback-system / acc. to DIN EN 60269-1</b>		NDz
<b>Supply voltage</b>		
• for AC / rated value	V	500
• for DC	V	500
<b>Switching capacity current</b>		
• in accordance with IEC 60947-2 / rated value	kA	40
• with DC / in accordance with IEC 60947-2 / rated value	kA	1.6
<b>Ambient temperature</b>		
• minimum	°C	-5
• maximum	°C	40

**Certificates/approvals:**

General Product Approval

Declaration of  
Conformity

other



[Environmental  
Confirmations](#)

**Further information:**

**Information- and Downloadcenter (Catalogs, Brochures,...)**

<http://www.siemens.com/lowvoltage/catalogs>

**Industry Mall (Online ordering system)**

<http://www.siemens.com/lowvoltage/mall>

**Service&Support (Manuals, Certificates, Characteristics, FAQs,...)**

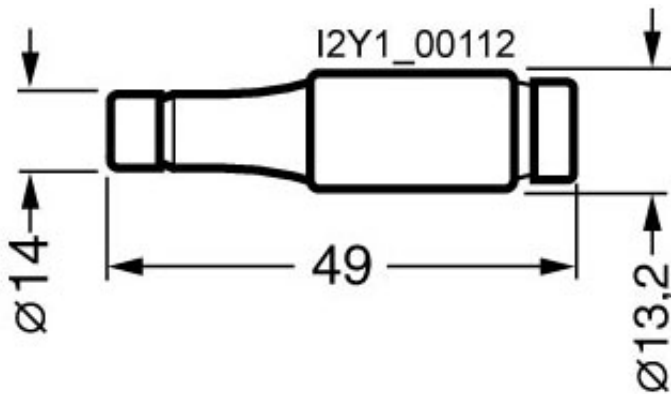
<http://support.automation.siemens.com/WW/view/en/5SA281/all>

**Image database (product images, 2D dimension drawings, 3D models, device circuit diagrams, ...)**

[http://www.automation.siemens.com/bilddb/cax\\_en.aspx?mlfb=5SA281](http://www.automation.siemens.com/bilddb/cax_en.aspx?mlfb=5SA281)

**CAX-Online-Generator**

<http://www.siemens.com/cax>



last change:

Nov 4, 2012