

INSERT LABEL FOR ILLUMINATED PUSHBUTTON, ROUND, MILKY WITH BLACK LETTERING, WITH GRAPHIC SYMBOL: FEEDRATE



Figure similar

Product brand name	SIRIUS ACT
Product designation	Insert label
Product type designation	3SU1




### General technical data

Shock resistance	
<ul style="list-style-type: none"> <li>for railway applications acc. to DIN EN 61373</li> </ul>	Category 1, Class B
Vibration resistance	
<ul style="list-style-type: none"> <li>for railway applications acc. to DIN EN 61373</li> </ul>	Category 1, Class B

### Accessories

Material of accessory	Plastic
Mounting type of label	insert
Marking of inscription plate	SYMBOL: FEEDRATE
Shape of inscription plate	Round
Color of inscription plate	milky/black (label/lettering)
Printed ISO symbols	SYMBOL: FEEDRATE

### Certificates/approvals

General Product Approval			Declaration of Conformity	Test Certificates	
 CSA	 UL		 EG-Konf.	<a href="#">Declaration of the Compliance with the order</a>	<a href="#">Special Test Certificate</a>

**other**

[Confirmation](#)

**Further information**

**Information- and Downloadcenter (Catalogs, Brochures,...)**

<http://www.siemens.com/industrial-controls/catalogs>

**Industry Mall (Online ordering system)**

<https://mall.industry.siemens.com/mall/en/en/Catalog/product?mlfb=3SU1900-0AB71-0QW0>

**Cax online generator**

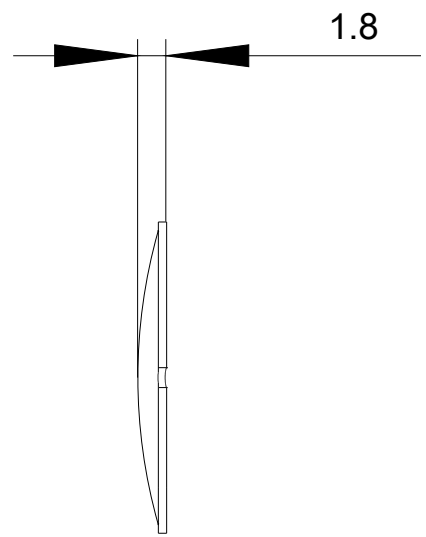
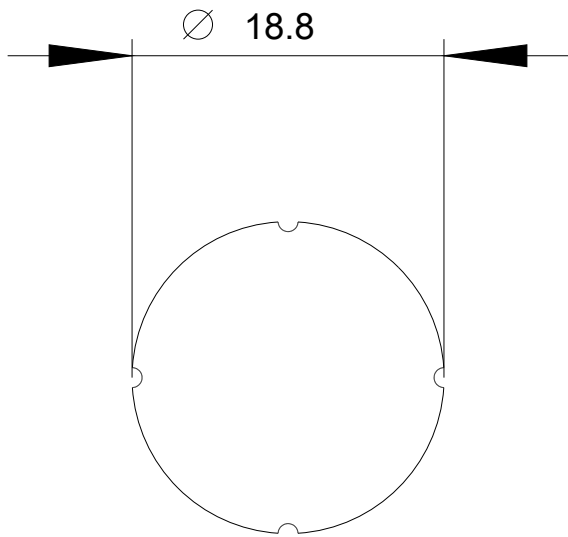
<http://support.automation.siemens.com/WW/CAXorder/default.aspx?lang=en&mlfb=3SU1900-0AB71-0QW0>

**Service&Support (Manuals, Certificates, Characteristics, FAQs,...)**

<https://support.industry.siemens.com/cs/ww/en/ps/3SU1900-0AB71-0QW0>

**Image database (product images, 2D dimension drawings, 3D models, device circuit diagrams, EPLAN macros, ...)**

[http://www.automation.siemens.com/bilddb/cax\\_de.aspx?mlfb=3SU1900-0AB71-0QW0&lang=en](http://www.automation.siemens.com/bilddb/cax_de.aspx?mlfb=3SU1900-0AB71-0QW0&lang=en)



last modified:

07/10/2017