

KEY FOR CES LOCK, LOCK NO. SSG 10



Figure similar

Product brand name	SIRIUS ACT
Product designation	Keys
Design of the product	CES
Product type designation	3SU1





Actuator	
Key number	SSG10

Ambient conditions	
Environmental category during operation acc. to IEC 60721	3M6, 3S2, 3B2, 3C3, 3K6 (with relative air humidity of 10 ... 95 %)

Installation/ mounting/ dimensions	
Height	21.5 mm
Width	2.2 mm
Depth	53.2 mm

Accessories	
Material of accessory	Metal
Color of accessory	Silver

Certificates/approvals

General Product Approval		Declaration of Conformity	Test Certificates		
 CSA	 UL		 EG-Konf.	Declaration of the Compliance with the order	Special Test Certificate

other

[Confirmation](#)

Further information

Information- and Downloadcenter (Catalogs, Brochures,...)

<http://www.siemens.com/industrial-controls/catalogs>

Industry Mall (Online ordering system)

<https://mall.industry.siemens.com/mall/en/en/Catalog/product?mlfb=3SU1950-0FP80-0AA0>

Cax online generator

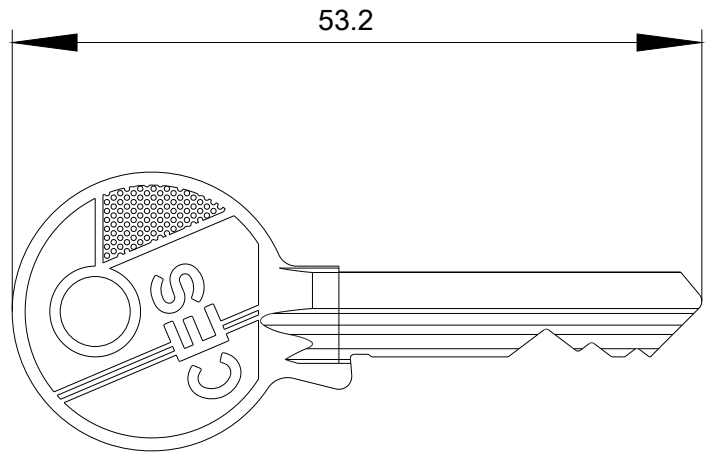
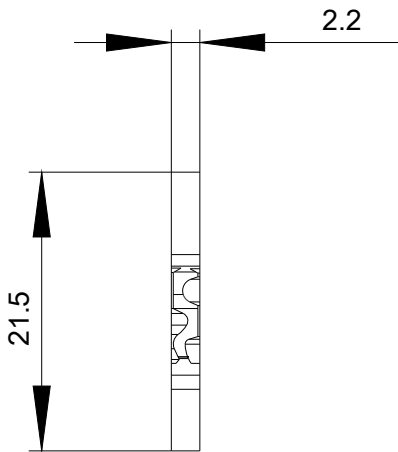
<http://support.automation.siemens.com/WW/CAXorder/default.aspx?lang=en&mlfb=3SU1950-0FP80-0AA0>

Service&Support (Manuals, Certificates, Characteristics, FAQs,...)

<https://support.industry.siemens.com/cs/ww/en/ps/3SU1950-0FP80-0AA0>

Image database (product images, 2D dimension drawings, 3D models, device circuit diagrams, EPLAN macros, ...)

http://www.automation.siemens.com/bilddb/cax_de.aspx?mlfb=3SU1950-0FP80-0AA0&lang=en



last modified:

07/10/2017