




CONTROL WIRE TAP FOR BOX TERMINAL ACCESSORY FOR:
STECKEINHEIT 3VA1 100/160



Model	
product brandname	SETRON
Product designation	accessories

Certificates				
General Product Approval	EMC	Declaration of Conformity	Test Certificates	other
			Typrüfbescheinigung/Werkszeugnis	sonstig



[Typrüfbescheinigung/Werkszeugnis](#)

[sonstig](#)

Further information

Information- and Downloadcenter (Catalogs, Brochures,...)

<http://www.siemens.com/lowvoltage/catalogs>

Industry Mall (Online ordering system)

<https://mall.industry.siemens.com/mall/en/en/Catalog/product?mlfb=3VA9150-0WB00>

Service&Support (Manuals, Certificates, Characteristics, FAQs,...)

<http://support.automation.siemens.com/WW/view/en/3VA9150-0WB00/all>

Image database (product images, 2D dimension drawings, 3D models, device circuit diagrams, ...)

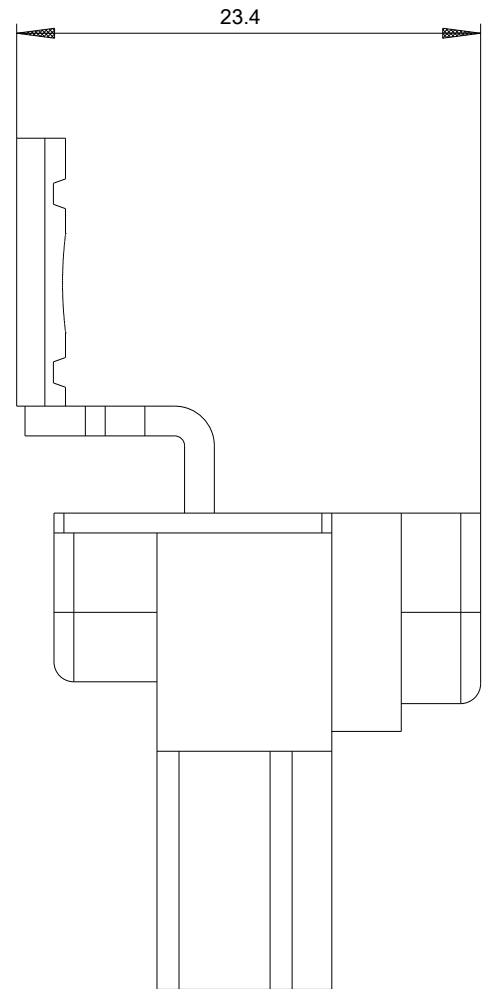
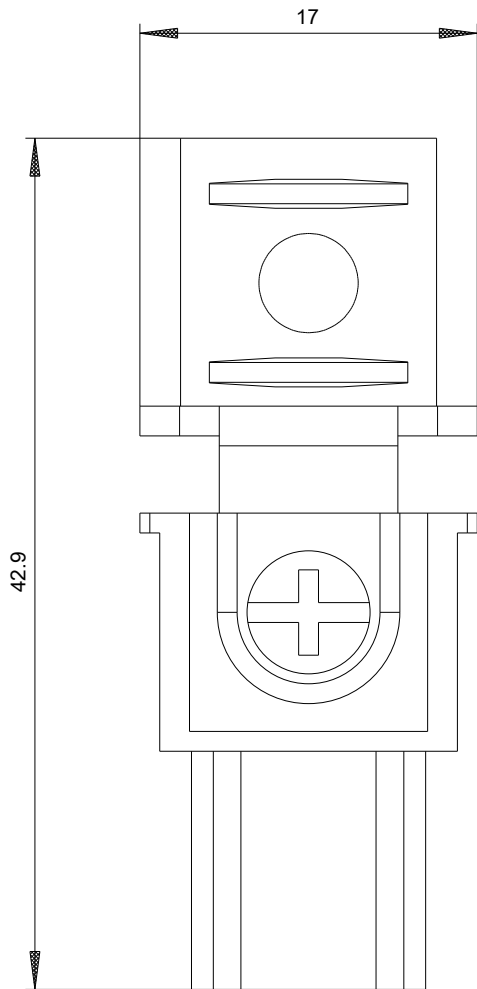
http://www.automation.siemens.com/bilddb/cax_en.aspx?mlfb=3VA9150-0WB00

CAx-Online-Generator

<http://www.siemens.com/cax>

Tender specifications

<http://www.siemens.com/specifications>



last modified:

04/10/2017