




FRONT BUS CONNECTORS OFFSET 3 PCS ACCESSORY FOR:
3VA2 100/160/250



Model	
product brandname	SETRON
Product designation	accessories

Certificates			
General Product Approval	EMC	Declaration of Conformity	other
	 RCM	 EG-Konf.	Sonstige

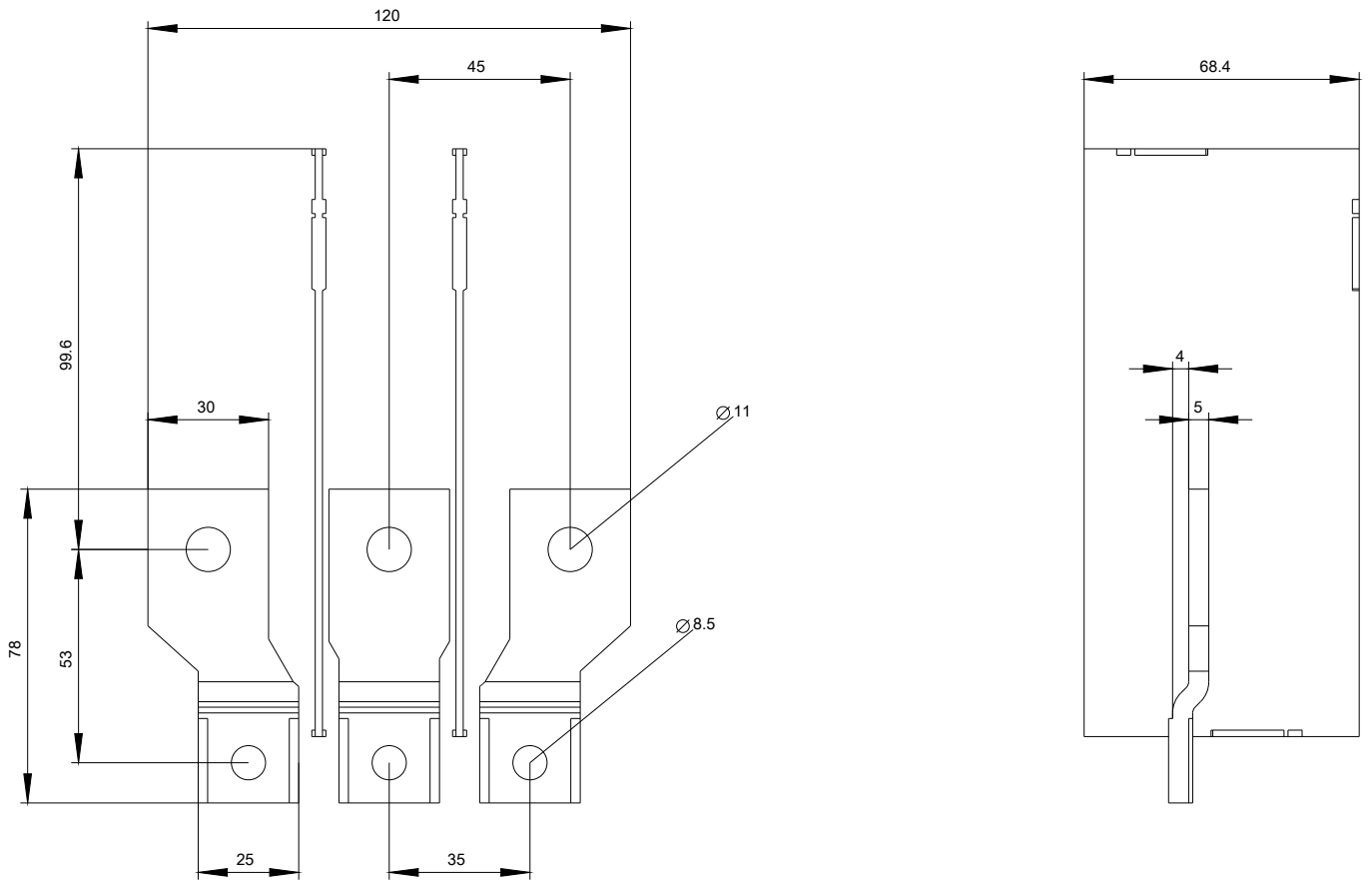
Further information

Information- and Downloadcenter (Catalogs, Brochures,...)
<http://www.siemens.com/lowvoltage/catalogs>

Industry Mall (Online ordering system)
<https://mall.industry.siemens.com/mall/en/en/Catalog/product?mfb=3VA9263-0QC00>

Service&Support (Manuals, Certificates, Characteristics, FAQs,...)
<https://support.industry.siemens.com/cs/ww/en/ps/3VA9263-0QC00>

Image database (product images, 2D dimension drawings, 3D models, device circuit diagrams, ...)
http://www.automation.siemens.com/bilddb/cax_en.aspx?mfb=3VA9263-0QC00



last modified:

06/05/2017