




REAR CONNECTION STUD FLAT SHORT 1 PCS. ACCESSORY
FOR: 3VA2 100/160/250



Model	
product brandname	SETRON
Product designation	accessories

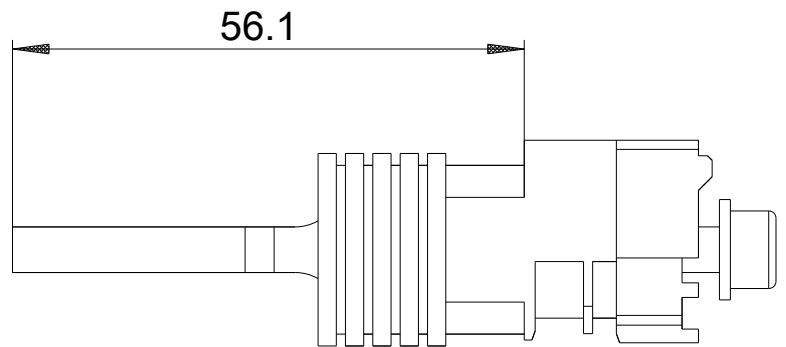
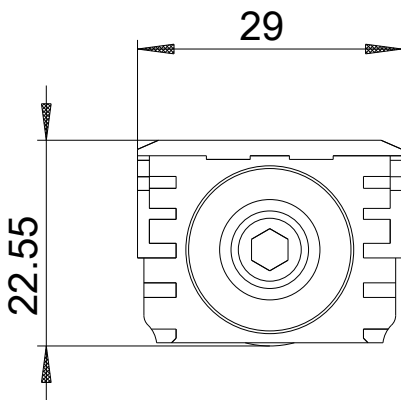
Certificates				
General Product Approval	EMC	Declaration of Conformity	Test Certificates	other
	 RCM	 EG-Konf.	Typprüfbescheinigung/Werkszeugnis	Sonstige

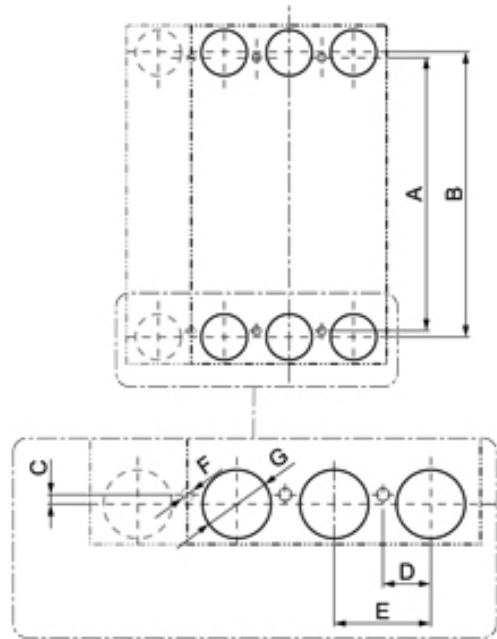
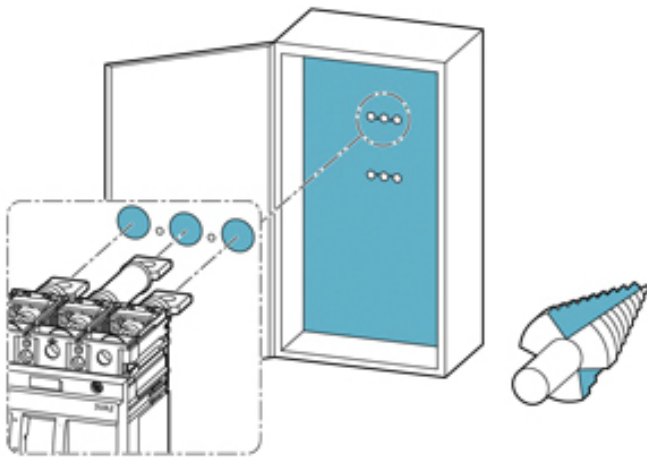
Further information
Information- and Downloadcenter (Catalogs, Brochures,...) http://www.siemens.com/lowvoltage/catalogs
Industry Mall (Online ordering system) https://mall.industry.siemens.com/mall/en/en/Catalog/product?mlfb=3VA9201-0QE10
Service&Support (Manuals, Certificates, Characteristics, FAQs,...) https://support.industry.siemens.com/cs/ww/en/ps/3VA9201-0QE10

Image database (product images, 2D dimension drawings, 3D models, device circuit diagrams, ...)
http://www.automation.siemens.com/bilddb/cax_en.aspx?mlfb=3VA9201-0QE10

CAx-Online-Generator
<http://www.siemens.com/cax>

Tender specifications
<http://www.siemens.com/specifications>





	3VA1		3VA2	
	100 / 160	250	100 / 160 / 250	400 / 600
A	114.5 mm	123.5 mm	146 mm	180 mm
B	121 mm	134 mm	157 mm	200 mm
C	3.5 mm	5.25 mm	5.5 mm	10 mm
D	12.7 mm	17.5 mm	17.5 mm	23 mm
E	25.4 mm	35 mm	35 mm	46 mm
F	4 mm	4.5 mm	4.5 mm	5.5 mm
G	17 mm	24.5 mm	24.5 mm	34 mm

last modified:

06/05/2017