




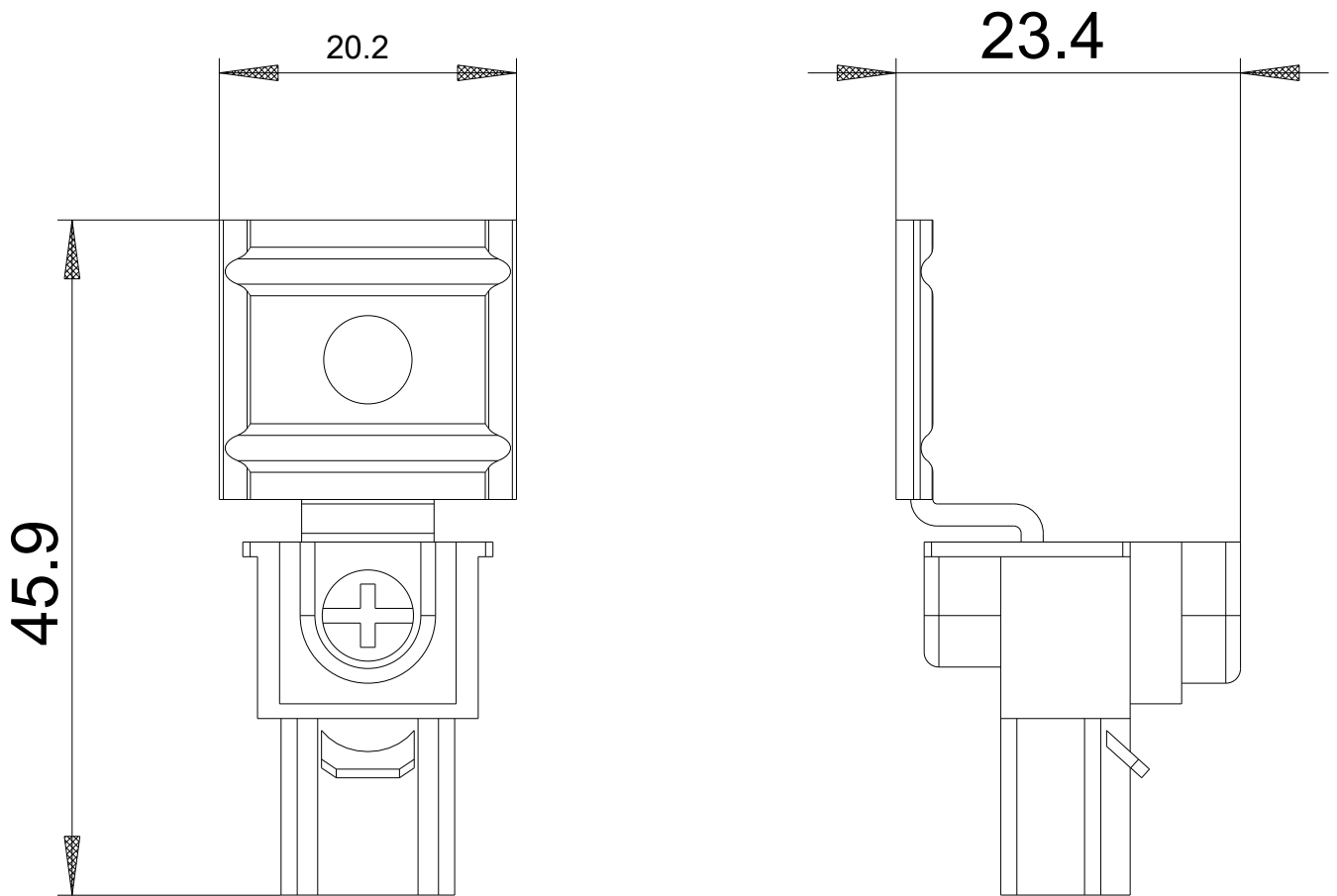
CONTROL WIRE TAP FOR BOX TERMINAL ACCESSORY FOR:
3VA1 100/160 3VA2 100/160/250



Model	
product brandname	SETRON
Product designation	accessories

Certificates				
General Product Approval	EMC	Declaration of Conformity	Test Certificates	other
	 RCM	 EG-Konf.	Typprüfbescheinigung/Werkszeugnis	Sonstige

Further information
Information- and Downloadcenter (Catalogs, Brochures,...) http://www.siemens.com/lowvoltage/catalogs
Industry Mall (Online ordering system) https://mall.industry.siemens.com/mall/en/en/Catalog/product?mlfb=3VA9200-0WB00
Service&Support (Manuals, Certificates, Characteristics, FAQs,...) https://support.industry.siemens.com/cs/ww/en/ps/3VA9200-0WB00



last modified:

06/05/2017