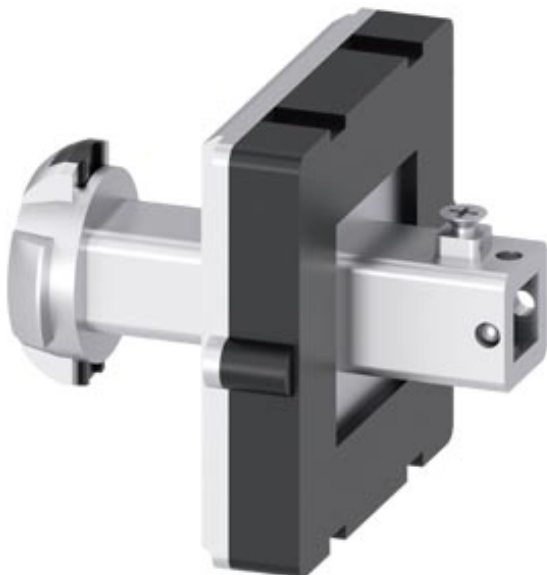


Coupling tolerance compensation Size 12x 12



Model	
Product brand name	SETRON
Product designation	Accessories
Design of the product	Mounting tolerance compensation
Product details	
Product component	
• axis extension	No
Accessories	
accessories	Mounting tolerance compensation
Height	90 mm
Width	90 mm
Depth	90 mm
Net weight	328 g



EG-Konf.



LRS

Further information**Information- and Downloadcenter (Catalogs, Brochures,...)**<http://www.siemens.com/lowvoltage/catalogs>**Industry Mall (Online ordering system)**<https://mall.industry.siemens.com/mall/en/en/Catalog/product?mlfb=8UD1900-4GA00>**Service&Support (Manuals, Certificates, Characteristics, FAQs,...)**<https://support.industry.siemens.com/cs/ww/en/ps/8UD1900-4GA00>**Image database (product images, 2D dimension drawings, 3D models, device circuit diagrams, ...)**http://www.automation.siemens.com/bilddb/cax_en.aspx?mlfb=8UD1900-4GA00**CAX-Online-Generator**<http://www.siemens.com/cax>**Tender specifications**<http://www.siemens.com/specifications>

