



AUXILIARY CONDUCTOR TERMINAL FOR BOX
TERMINAL ACCESSORY FOR: 3VA1 100/160 3VA2
100/160/250

Similar to image

Further information:

Information- and Downloadcenter (Catalogs, Brochures,...)

<http://www.siemens.com/lowvoltage/catalogs>

Global Industry Mall (Online ordering system)

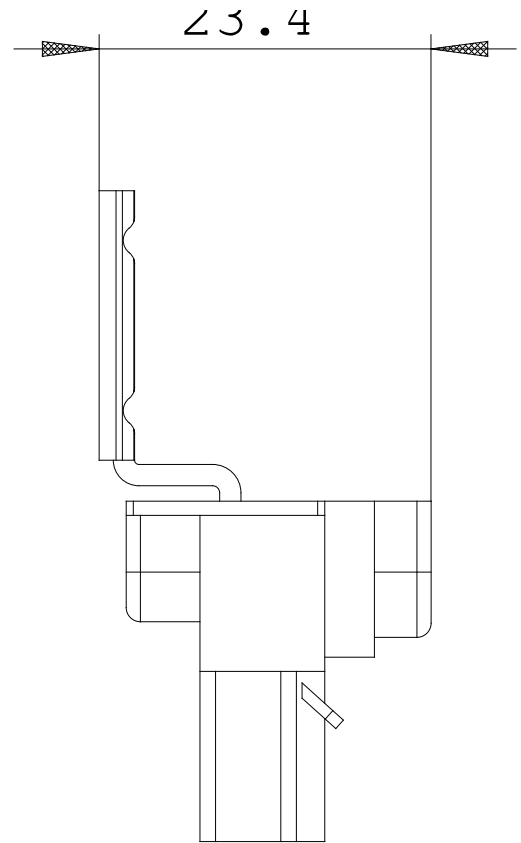
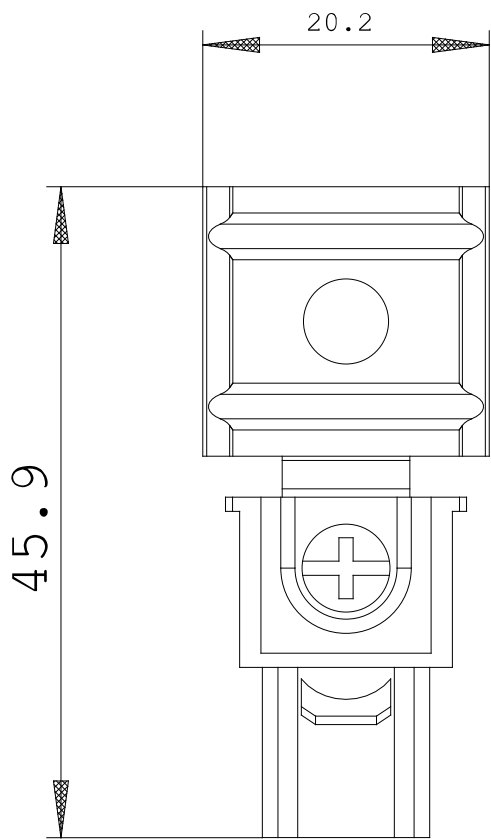
<http://www.siemens.com/lowvoltage/mall>

Service&Support (Manuals, Certificates, Characteristics, FAQs,...)

<http://support.automation.siemens.com/WWW/view/en/3VA9200-0WB00/all>

Image database (product images, 2D dimension drawings, 3D models, device circuit diagrams, ...)

http://www.automation.siemens.com/bilddb/cax_en.aspx?mlfb=3VA9200-0WB00



last change:

Apr 21, 2014