

FRONT MOUNTED ROTARY OPERATOR STANDARD IEC
IP30/40 ILLUMINATION KIT 24 V DC ACCESSORY FOR
3VA2 100/160/250



Similar to image

Allgemeine Technische Daten:

Product component / axis extension		No
transversely connectable / lockable		Yes
Design of handle		Gray
Protection class IP		IP30

Certificates/approvals:

Declaration of Conformity

Further information:

Information- and Downloadcenter (Catalogs, Brochures,...)

<http://www.siemens.com/lowvoltage/catalogs>

Industry Mall (Online ordering system)

<https://eb.automation.siemens.com/mall/en/WW/Catalog/Product/3VA9267-0EK13>

Service&Support (Manuals, Certificates, Characteristics, FAQs,...)

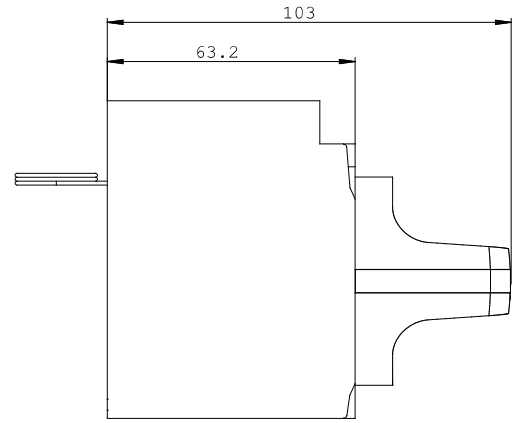
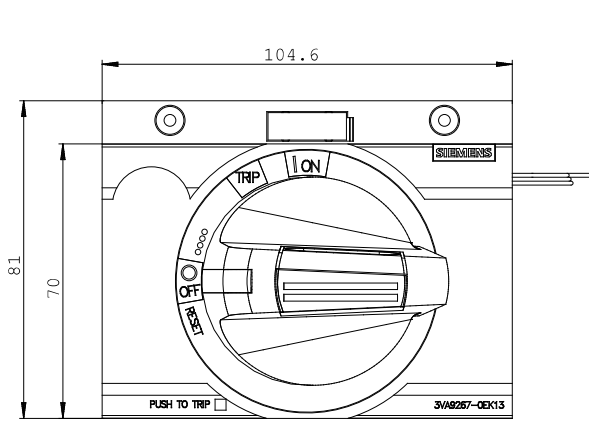
<http://support.automation.siemens.com/WWW/view/en/3VA9267-0EK13/all>

Image database (product images, 2D dimension drawings, 3D models, device circuit diagrams, ...)

http://www.automation.siemens.com/bilddb/cax_en.aspx?mlfb=3VA9267-0EK13

CAx-Online-Generator

<http://www.siemens.com/cax>



last change:

Apr 21, 2014