



CIRCUIT BREAKER 3VA2 IEC FRAME 160 BREAKING CAPACITY CLASS M ICU=55KA @ 415 V 3POLE, LINE PROTECTION ETU350, LSI, IN=40A OVERLOAD PROTECTION IR=16A ...40A SHORT CIRCUIT PROTECTION ISD=1,5... 10 X IR, II=12 X IN CABLE CONNECTION

Similar to image

General technical data:		
product brand name		SENTRON
Product designation		Molded Case Circuit Breakers
Acceptability for application		system protection
Design of the product		Line Protection
Product function		
• communication function		No
• other measurement function		No
Product component / display		No
Design of the overcurrent release		ETU350
Protective function of the overcurrent release		LSI
Product property / for zero conductors / up/downgradable / short-circuit and overload protection		No
Continuous current / rated value	A	40
Operating voltage		
• at 50/60 Hz / for AC / rated value	V	690
Insulation voltage / rated value	V	800
Number of poles		3
Active power loss / maximum	W	25.5

<b>Switching capacity class of the circuit breaker</b>		M
<b>Protection class IP / on the front</b>		IP40

#### Motor rating data:

<b>Product function / phase disturbance recognition</b>		No
---	--	----

#### Schaltvermögen:

##### Breaking capacity limit short-circuit current (I<sub>cu</sub>)

• at 240 V / rated value	kA	85
• at 415 V / rated value	kA	55
• at 690 V / rated value	kA	2.5

##### Breaking capacity operating short-circuit current (I<sub>cs</sub>)

• at 240 V / rated value	kA	85
• at 415 V / rated value	kA	55
• at 690 V / rated value	kA	2.5

##### Ultimate short-circuit current making capacity (I<sub>cm</sub>)

• at 240 V / rated value	kA	187
• at 415 V / rated value	kA	121
• at 690 V / rated value	kA	3.75

#### Overcurrent Release:

##### Adjustable response current

• of the current-dependent overload release	A	0.4 ... 1
• of the non-delayed short-circuit release / initial value	A	12

##### Adjustable response current

• of the short-time delayed short-circuit release	A	1.5 ... 10
---	---	------------

##### Settable delay / of the S-trip

• with I <sup>2</sup> t characteristic	s	0.02 ... 0.4
--	---	--------------

##### Settable current response value / of I-trip / end value

A	12
---	----

#### Connections:

##### Design of the electrical connection

• for main current circuit		Frame terminal
----------------------------	--	----------------

#### Control circuit:

##### Number of changeover contacts

• for auxiliary contacts		0
--------------------------	--	---

##### Product component

• undervoltage release mechanism		No
• Voltage trigger		No
• undervoltage release with leading contact		No
• trip indicator		No

**Manufacturer article number**

- 3 of the integrated auxiliary switch /alarm switch
- of integrated auxiliary trip

**Ambient conditions:****Ambient temperature**

- during operating
- during storage

°C	-25 ... +70
°C	-40 ... +80

**Dimensions and weights:**

<b>Width</b>	mm	105
<b>Height</b>	mm	181
<b>Depth</b>	mm	107
<b>Net weight</b>	g	2,430

**Lebensdauer:**

<b>Mechanical operating cycles as operating time / typical</b>	20,000
<b>Reference code / according to DIN EN 61346-2</b>	Q

**Certificates/approvals:**

**Declaration of Conformity**

**Further information:****Information- and Downloadcenter (Catalogs, Brochures,...)**

<http://www.siemens.com/lowvoltage/catalogs>

**Industry Mall (Online ordering system)**

<https://eb.automation.siemens.com/mall/en/WW/Catalog/Product/3VA2140-5HN36-0AA0>

**Service&Support (Manuals, Certificates, Characteristics, FAQs,...)**

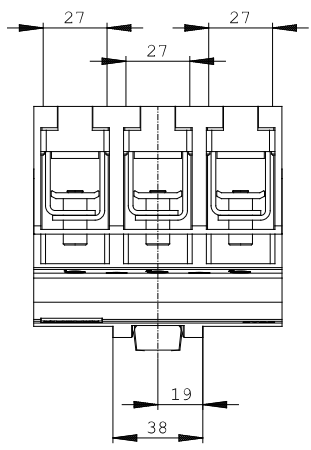
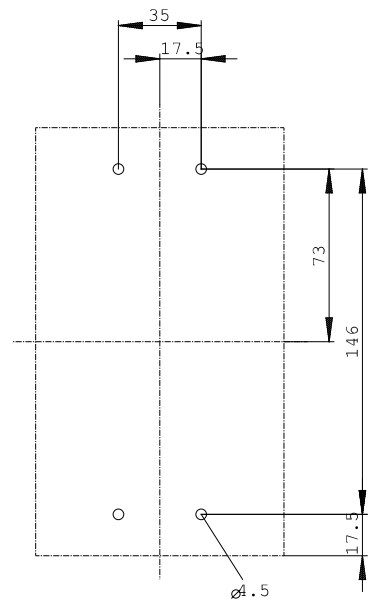
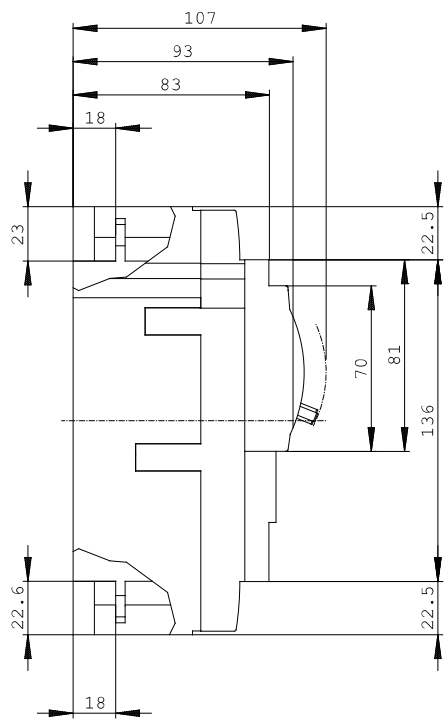
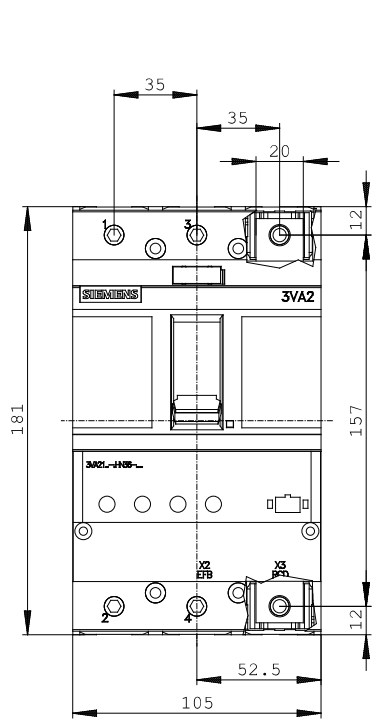
<http://support.automation.siemens.com/WW/view/en/3VA2140-5HN36-0AA0/all>

**Image database (product images, 2D dimension drawings, 3D models, device circuit diagrams, ...)**

[http://www.automation.siemens.com/bilddb/cax\\_en.aspx?mlfb=3VA2140-5HN36-0AA0](http://www.automation.siemens.com/bilddb/cax_en.aspx?mlfb=3VA2140-5HN36-0AA0)

**CAX-Online-Generator**

<http://www.siemens.com/cax>



**last change:**

May 14, 2014